

CATALOG #: \_\_\_\_\_

TYPE: \_\_\_\_\_

PROJECT: \_\_\_\_\_



## FEATURES

- Easily change the color temperature and lumen output on-site with built in switches, providing ultimate flexibility
- Simple and quick installation in new construction or remodel applications
- Rated for direct contact with insulation
- Durable spring clips secure fixture
- Maximize energy savings with efficacies up to 113 lm/W
- Low UGR meets LEED and WELL requirements
- Available on QuickShip
- Made Right Here® in the USA

## SPECIFICATIONS

- HEAT SINK – Aluminum.
- TRIM – Low-iridescent anodized aluminum with 1/2" standard flange and diffuse polycarbonate lens at top of open reflector. Semi-specular finish standard.
- ELECTRICAL – High-quality mid-power LED boards. L70 >70,000 hours. 25°C max ambient operating temperature.
- MOUNTING – Compatible with 4-3/4"- 4-7/8" ceiling cutout. Heavy-duty mounting springs accommodate ceiling thicknesses up to 2-1/2". New construction mounting pan accessory available. Access above ceiling required to change color and lumens after installation. For remodel installations, the minimum plenum height from the top of 5/8" sheetrock is 7-3/8". Weight 2.25 lbs.
- LISTINGS –
  - cETLus listed as LED luminaire suitable for dry or damp locations.
  - Conforms to UL STD.1598. Certified to CSA STD.C22.2 No.250.0.
  - IC-rated for direct contact with insulation.
  - Complies with the Buy American Act and other federal regulations. Request certification at [hew.com/baa](http://hew.com/baa).
- WARRANTY – 5-year limited warranty, see [hew.com/warranty](http://hew.com/warranty).

## ORDERING EXAMPLE: 4FDR - LS/8CS - CS - OPTIONS - DIM - UNV

### ORDERING INFO

SERIES	LUMENS <sup>[1]</sup>	CRI	CCT	REFLECTOR FINISH
4FDR	LS Selectable lumens 1,000/1,500/2,000	8	80	CS Clear semi-specular anodize WH White texture powder coat

### OPTIONS <sup>[2]</sup>

EM/10W	10-watt emergency battery
EM/10W/RTS	10-watt emergency battery with regressed test switch
4FDR/6FDR EM/10W KIT	10-watt emergency battery kit <sup>[3]</sup>

### DRIVER

DIM Dim-to-off driver <sup>[4]</sup>

### VOLTAGE

UNV 120-277V

### MOUNTING HARDWARE ACCESSORIES (ORDERED SEPARATELY) <sup>[5]</sup>

4FDR-N-F1 New construction mounting pan with integral 2-position fixed bracket, universal bar hangers.

### QUICKSHIP

4FDR-LS/8CS-CS-QS-DIM-UNV  
4FDR-N-F1-QS  
4FDR/6FDR EM/10W KIT-QS

## NOTES

- <sup>1</sup> Lumens based on CS Reflector Finish, 3500K CCT. Actual performance may vary +/-5%. See page 2 for FIXTURE PERFORMANCE DATA.
- <sup>2</sup> All EM batteries are CEC compliant.
- <sup>3</sup> Ships separately, field installed.
- <sup>4</sup> Prewired for 0-10V low-voltage applications. Dimming down to 10%, dim-to-off below 0.5V
- <sup>5</sup> See page 2 for MOUNTING HARDWARE ACCESSORIES DETAILS.



### FIXTURE PERFORMANCE DATA

#### SEMI-SPECULAR REFLECTOR FINISH

WATTAGE SETTING	3000K			3500K			4000K		
	LUMEN OUTPUT	WATTAGE	EFFICACY (LM/W)	LUMEN OUTPUT	WATTAGE	EFFICACY (LM/W)	LUMEN OUTPUT	WATTAGE	EFFICACY (LM/W)
Low	992	9.4	106	1021	9.1	112	1000	9.2	109
Medium	1443	14.0	103	1519	13.4	113	1472	13.7	107
High	1836	18.5	99	1968	17.6	112	1888	18.1	104

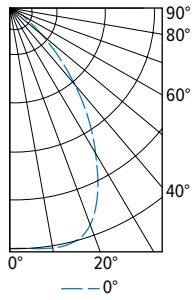
#### WHITE REFLECTOR FINISH

WATTAGE SETTING	3000K			3500K			4000K		
	LUMEN OUTPUT	WATTAGE	EFFICACY (LM/W)	LUMEN OUTPUT	WATTAGE	EFFICACY (LM/W)	LUMEN OUTPUT	WATTAGE	EFFICACY (LM/W)
Low	826	9.4	88	850	9.1	93	832	9.2	90
Medium	1201	14	86	1263	13.4	94	1223	13.7	89
High	1529	18.5	83	1638	17.6	93	1570	18.1	87

Actual performance may vary +/-5%.

### PHOTOMETRY

4FDR-LS/8CS-CS-DIM-UNV Total Luminaire Output: 1968 lumens; 17.6 Watts (High Wattage Setting) | Efficacy: 112 lm/W | 80 CRI; 3500K CCT



CANDLEPOWER DISTRIBUTION	VERTICAL ANGLE	HORIZONTAL ANGLE	ZONAL LUMENS
		0°	
	0	1394	
	5	1398	134
	15	1407	395
	25	1192	543
	35	788	491
	45	388	301
	55	104	97
	65	4	6
	75	1	1
	85	0	0
	90	0	0

LUMEN SUMMARY	ZONE	LUMENS	% FIXTURE
		0 - 30	1073
	0 - 40	1563	79
	0 - 60	1961	100
	0 - 90	1968	100
	0 - 180	1968	100

### FIXTURE DETAILS

#### FIELDSELECT SWITCHES

Located on remote driver box.



#### REFLECTOR FINISH

WH

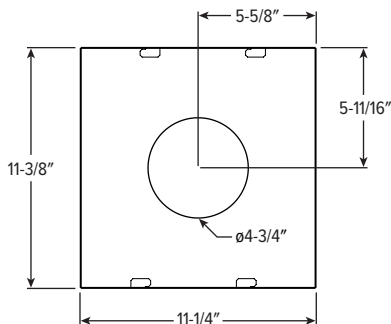


CS



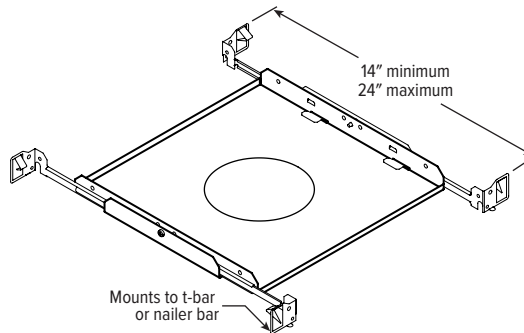
### MOUNTING HARDWARE ACCESSORIES DETAILS

#### PAN DIMENSIONS



Ceiling Cutout: 4-3/4" - 4-7/8"

#### ISOMETRIC VIEW



#### DRIVER BOX

