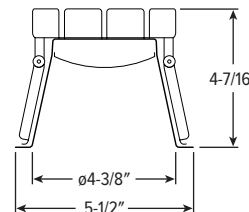




CATALOG #:

TYPE:

PROJECT:



## FEATURES

- Ready to ship in 48 hours with on-hand inventory to support immediate job requirements
- Easily change the color temperature and lumen output on-site with built in switches, providing ultimate flexibility
- Simple and quick installation in new construction or remodel applications
- Rated for direct contact with insulation
- Durable spring clips secure fixture
- Maximize energy savings with efficiencies up to 113 lm/W
- Low UGR meets LEED and WELL requirements
- Made Right Here® in the USA

## ORDERING INFO

CATALOG NUMBER	SELECTABLE LUMENS	CRI	SELECTABLE CCT	REFLECTOR FINISH	DRIVER	VOLTAGE	UPC CODE
4FDR-LS/8CS-CS-QS-DIM-UNV	1,000/1,500/2,000	80	3,000K/3,500K/4,000K	Clear semi-specular anodize, 74° beam angle	Dim-to-off driver <sup>[1]</sup>	120-277V	850047638533

ACCESSORY CATALOG NUMBER	DESCRIPTION	UPC CODE
4FDR-N-F1-QS	New construction mounting pan with integral 2-position fixed bracket, universal bar hangers.	850047638731
EM/10W KIT-DC-QS	10-watt emergency battery kit, dual conduit <sup>[2]</sup>	850047638663

## SPECIFICATIONS

- HEAT SINK – Aluminum.
- TRIM – Low-iridescent anodized aluminum with 1/2" standard flange and diffuse polycarbonate lens at top of open reflector. Semi-specular finish standard.
- ELECTRICAL – High-quality mid-power LED boards. L70 >70,000 hours. 25°C max ambient operating temperature. 50/60 Hz constant current driver.
- MOUNTING – Compatible with 4-3/4"- 4-7/8" ceiling cutout. Heavy-duty mounting springs accommodate ceiling thicknesses 1/2"- 2-1/2". Provided with 15" plenum-rated cable. New construction mounting pan accessory available. Access above ceiling required to change color and lumens after installation. For remodel installations, the minimum plenum height from the top of 5/8" sheetrock is 7-3/8". Weight 2.25 lbs.
- H.E. Williams Inc. strongly recommends installing a trial fixture on-site prior to ordering full project quantities.
- LISTINGS –
  - cETLus listed as LED luminaire suitable for dry or damp locations.
  - Conforms to UL STD.1598. Certified to CSA STD.C22.2 No.250.0.
  - IC-rated for direct contact with insulation.
  - Build America, Buy America (BABA) and Buy American Act (BAA) compliant. Request certification at [hew.com/buy-american](http://hew.com/buy-american)
- WARRANTY – 5-year limited warranty, see [hew.com/warranty](http://hew.com/warranty)

## NOTES

- <sup>1</sup> Prewired for 0-10V low-voltage applications. Dimming down to 10%, dim-to-off below 0.5V  
<sup>2</sup> Ships separately, field installed. CEC compliant.

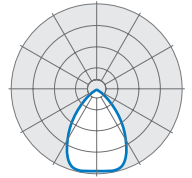




## FIXTURE PERFORMANCE DATA

WATTAGE SETTING	3500K			4000K			5000K		
	LUMEN OUTPUT	WATTAGE	EFFICACY (lm/W)	LUMEN OUTPUT	WATTAGE	EFFICACY (lm/W)	LUMEN OUTPUT	WATTAGE	EFFICACY (lm/W)
Low	992	9.4	106	1021	9.1	112	1000	9.2	109
Medium	1443	14.0	103	1519	13.4	113	1472	13.7	107
High	1836	18.5	99	1968	17.6	112	1888	18.1	104

## DISTRIBUTION CURVE



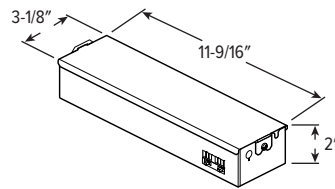
- Photometrics tested in accordance with IESNA LM-79. Results based on 80 CRI/3500K CCT, average wattage for 120V input, and 25°C ambient temperature. Actual performance may vary +/-5%.
- To calculate lumen output in emergency mode, multiply the battery wattage by the efficacy.

## FIELDSELECT SWITCHES

Located on remote driver box.

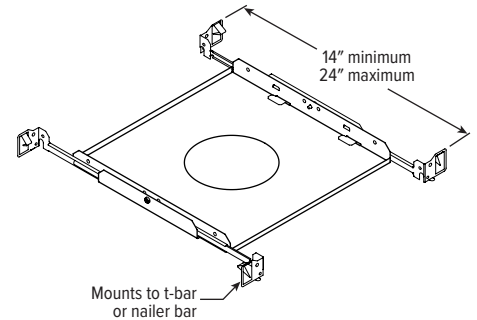
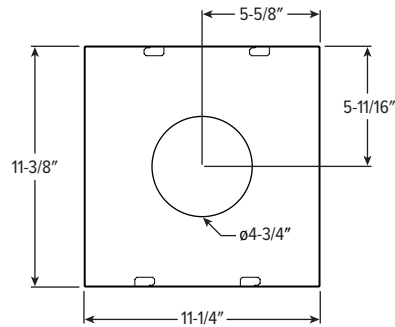


## DRIVER BOX



## ACCESSORY DETAILS

### NEW CONSTRUCTION PAN



### EMERGENCY BATTERY KIT

