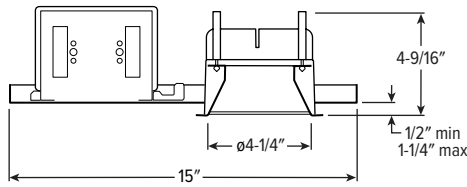
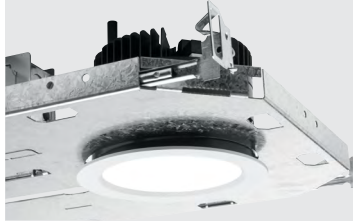


4PR dim to WARM

4.5" Shallow Plenum Downlight – Round



CATALOG #: _____

TYPE: _____

PROJECT: _____

NEW CONSTRUCTION AND REMODEL

ORDERING EXAMPLE: **4PR - TL - L20/9DW - OPTIONS - DIM1 - UNV - LW - OF - WH - TRIM OPTIONS - N - F1**

HOUSING
TRIM
MOUNT.

HOUSING

SERIES	LUMENS ^[1]	COLOR	OPTIONS	CONTROL	VOLTAGE
4PR-TL	L7 700lm	9DW Dim to warm (95 CRI, 1800K – 3000K)	EM/7W 7-watt emergency battery ^[2]	DIM1 1% dimming driver (0-10V signal to control dimming and CCT)	UNV 120-277V
TrimLock	L12 1,200lm		EM/10W 10-watt emergency battery ^[3]	LUT Lutron Ecosystem enabled ^[7]	347 347V ^[8]
	L20 2,000lm		EM/10W/RTS 10-watt emergency battery with regressed test switch ^[4]		
			ATH Airtight construction		
			CP Chicago plenum (CCEA) ^[5]		
			F Fuse kit		
			SDT Stepdown transformer ^[6]		

TRIM

TRIM TYPE	DISTRIBUTION ^[9]	FLANGE TYPE	REFLECTOR FINISH	TRIM OPTIONS
L Flush lens	W 65° Wide	OF 1/2" standard flange	CS Clear semi-specular powder coat	IP IP65 rated trim
A Angled lens ^[10]	M 35° Medium	SF 1/4" mud-in flange ^[12]	WH White texture powder coat	AD Diffuse acrylic lens ^[13]
S Non-conductive flush lens for shower applications ^[11]	N 25° Narrow		BL Black texture powder coat	PD Diffuse 1/8" polycarbonate lens ^[14]
				WET/CC Wet location, covered ceiling listed ^[15]
				AM Anti-microbial ^[16]

MOUNTING

MOUNTING TYPE ^[17]	MOUNTING HARDWARE ^[18]
N Open pan for new construction	F1 Integral 2-position fixed pan bracket, universal bar hanger included ^[21]
I IC-rated enclosure for new construction ^[19]	BA1 Adjustable butterfly pan bracket, bar hanger not included ^[22]
R Remodel kit ^[20]	CA1 Adjustable caterpillar pan bracket, universal bar hanger included ^[23]

NOTES

- ¹ Lumen output based on full light output, L trim type, W distribution and WH finish. 3000K/95CRI. Actual lumens may vary +/-5%. See page 2 for FIXTURE PERFORMANCE DATA.
- ² N and R Mounting Types only. Not available with ATH or IP options.
- ³ N and R Mounting Types only. Not available with ATH or IP options.
- ⁴ Not available with WET/CC, ATH or IP options. N and R Mounting Types only. See page 4 for EM/10W/RTS DETAILS.
- ⁵ I Mounting Type required.
- ⁶ May be required for 347V, see product builder at hew.com/product-builder.
- ⁷ Not available with I Mounting Type.
- ⁸ Not available with EM batteries or Avi-on Controls.
- ⁹ Beam angle based on WH reflector finish and L Trim Type.
- ¹⁰ Wide distribution only. Diffuse acrylic lens standard.
- ¹¹ W Distribution and OF Flange Type, WH Reflector Finish only. Standard with AD diffuse acrylic lens. IP and WET/CC options standard.
- ¹² For use with mud-in plaster construction only, supplied with mud flange installation kit. See page 3 for FLANGE TYPE DETAILS. Not available with ATH or IP options.
- ¹³ L Trim Type only. W distribution only.
- ¹⁴ W distribution only.
- ¹⁵ Not available with PD trim option.
- ¹⁶ WH and BL Reflector Finishes only. Not available with S Trim Type.
- ¹⁷ Mounting hardware required (N and I only), ordered separately, see MOUNTING HARDWARE ordering info. See page 4 for MOUNTING TYPE DETAILS.
- ¹⁸ Additional mounting hardware options available. See page 5 for MOUNTING HARDWARE DETAILS.
- ¹⁹ L7 and L12 lumen packages only.
- ²⁰ Also used in new construction sheet rock ceilings. Pan-less installation.
- ²¹ N and I Mounting Types only. I Mounting requires external brackets.
- ²² N Mounting Type only.
- ²³ N Mounting Type only.

4PR dim to WARM 4.5" Shallow Plenum Downlight – Round

FEATURES

TrimLock®

- Innovative TrimLock reflector retention system ensures trim remains flush with ceiling plane
- Dim to warm from 1800K to 3000K CCT, minimum 95 CRI
- 4 inch aperture is unobtrusive in small scale spaces
- Slim 5 inch depth for minimal plenum space applications
- Beam angles ranging from 25° narrow to 65° wide for tailored performance
- New construction mounting pan, IC-rated, or pan-less remodel kit available
- Die-cast trim with flush lens provides glare-free illumination for a soft ceiling appearance
- Optional non-conductive lens for shower applications
- Fully room-side accessible

SPECIFICATIONS

- HOUSING** – Spun housing with forged aluminum heat sink. Galvanized steel splice compartment with driver mounting plate/enclosure. Mounting clips allow for ceiling thickness from 1/2" – 1-1/4" (consult factory for additional ceiling thicknesses).
- TRIMLOCK** – Innovative TrimLock reflector retention system ensures the trim remains flush with the ceiling plane.
- LENSED TRIM** – Die-cast aluminum frame with micro-prismatic, acrylic lens.
- ELECTRICAL** – High-performance Class 2 C.O.B. LED array. Modular quick-connect plug for easy field-connection of LED light assembly to driver. Reported L70>55,000 hours. Reported L90>55,000 hours. Estimated L70 = 200,000 hours.
- MOUNTING** – Recessed. 20 ga. galvanized steel mounting pan for new construction or IC-rated enclosure. Remodel kit option includes receiver bracket hardware.
- LISTINGS** –
 - cCSAus conforms to UL STD 1598; Certified to CAN/CSA STD C22.2 No. 250.0 for dry and damp locations. LED light assembly conforms to UL 2108 for remote installation.
 - Suitable for wet location under covered ceiling when specified with WEI/CC option.
 - IC-rated for direct contact with insulation when specified with I Mounting Type.
 - City of Chicago Environmental Air approved when specified with CP option.
 - Complies with ASTM-E283 when specified with ATH option.
 - RoHS compliant.
- WARRANTY** – 5-year limited warranty, see hew.com/warranty.

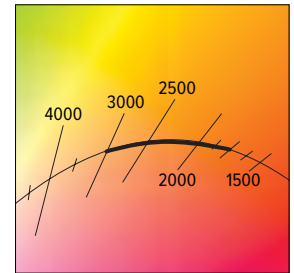
FIXTURE PERFORMANCE DATA

	DISTRIBUTION	DELIVERED LUMENS	CCT AT 100% (FULL OUTPUT)	CCT AT 1% (FULL DIM)	WATTAGE	EFFICACY (lm/W)
L7	W	668	3000K	1800K	14.0	47.7
	M	777			14.0	55.5
	N	772			14.0	55.1
L12	W	1171			23.4	50.1
	M	1363			23.4	58.3
	N	1353			23.4	57.9
L20	W	1918			37.7	50.9
	M	2232			37.7	59.2
	N	2216			37.7	58.8

MULTIPLIER TABLE

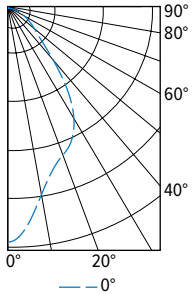
TRIM	
CATALOG NUMBER	CONVERSION FACTOR
S	0.85
AD	0.85
PD	0.85

- Photometrics tested in accordance with IESNA LM-79. Results shown are based on 25°C ambient temperature.
- Wattage shown is based on 120V input.
- Results based on 3500K, 80 CRI, actual lumens may vary +/-5%
- Use multiplier table to calculate additional options.



PHOTOMETRY

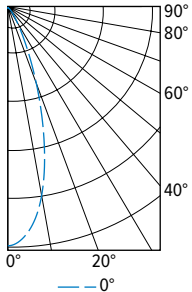
4PR-TL-L20/9DW-DIM1-UNV-LW-OF-WH Total Luminaire Output: 1918 lumens; 37.7 Watts | Efficacy: 50.9 lm/W | 95.0 CRI; 3000K CCT



CANDLEPOWER DISTRIBUTION	VERTICAL ANGLE	HORIZONTAL ANGLE	ZONAL LUMENS
		0°	
	0	1535	
	5	1431	130
	15	1108	314
	25	970	443
	35	694	426
	45	319	255
	55	186	167
	65	109	109
	75	54	58
	85	14	17
	90	2	

LUMEN SUMMARY	ZONE	LUMENS	% FIXTURE
	0 - 40	1313	68
	0 - 60	1735	90
	0 - 90	1918	100
	0-180	1918	100

4PR-TL-L20/9DW-DIM1-UNV-LM-OF-WH Total Luminaire Output: 2232 lumens; 37.7 Watts | Efficacy: 59.2 lm/W | 95.0 CRI; 3000K CCT



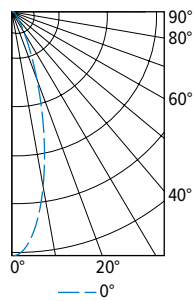
CANDLEPOWER DISTRIBUTION	VERTICAL ANGLE	HORIZONTAL ANGLE	ZONAL LUMENS
		0°	
	0	5244	
	5	4979	452
	15	3110	843
	25	1055	499
	35	316	207
	45	131	103
	55	68	61
	65	39	39
	75	20	21
	85	5	6
	90	1	

LUMEN SUMMARY	ZONE	LUMENS	% FIXTURE
	0 - 40	2001	90
	0 - 60	2166	97
	0 - 90	2232	100
	0-180	2232	100



4PR dim to WARM 4.5" Shallow Plenum Downlight – Round

4PR-TL-L20/9DW-DIM1-UNV-LN-OF-WH Total Luminaire Output: 2216 lumens; 37.7 Watts | Efficacy: 58.8 lm/W | 95.0 CRI; 3000K CCT

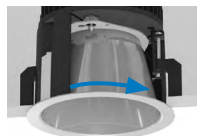


CANDLEPOWER DISTRIBUTION	VERTICAL ANGLE	HORIZONTAL ANGLE	ZONAL LUMENS
		0°	
	0	7437	
	5	6716	586
	15	3147	860
	25	841	404
	35	233	154
	45	110	86
	55	66	60
	65	40	39
	75	20	21
	85	5	6
	90	1	

LUMEN SUMMARY	ZONE	LUMENS	% FIXTURE
	0 - 40	2004	90
	0 - 60	2150	97
	0 - 90	2216	100
	0-180	2216	100

TRIMLOCK DETAILS

TWIST



PULL

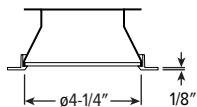


RELEASE

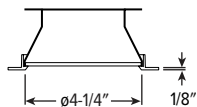


TRIM TYPE DETAILS

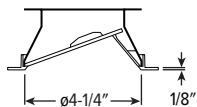
FLUSH



SHOWER

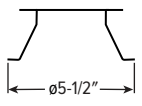


ANGLED



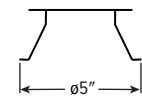
FLANGE TYPE DETAILS

1/2" STANDARD



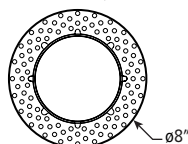
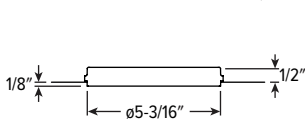
Ceiling Cutout: $\varnothing 5"$

1/4" MUD-IN



Ceiling Cutout: $\varnothing 5-1/2"$

MUD FLANGE MOUNTING KIT (SLIM FLANGE TYPE)



REFLECTOR FINISH DETAILS

CS

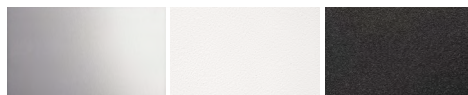
Clear semi-specular

WH

White

BL

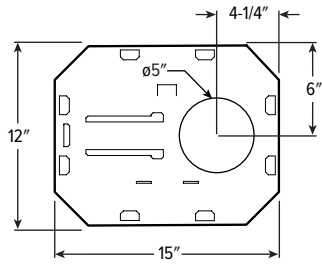
Black



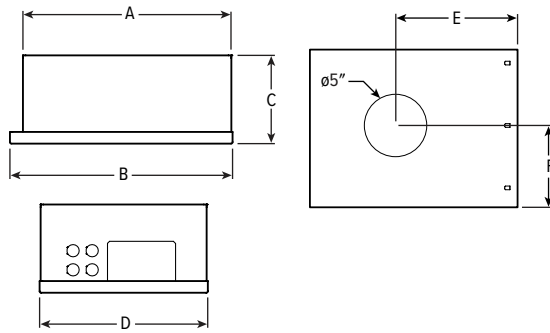
4PR dim to WARM 4.5" Shallow Plenum Downlight – Round

MOUNTING TYPE DETAILS

NEW CONSTRUCTION

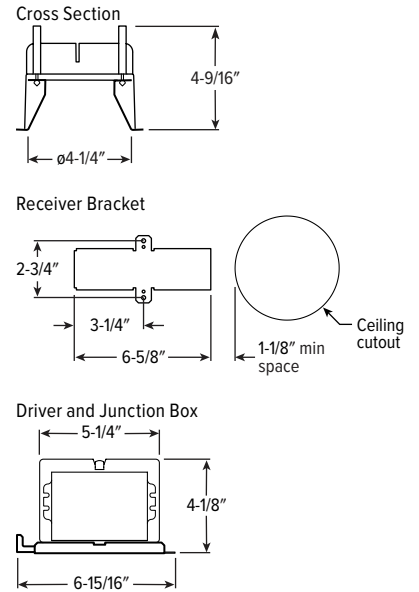


IC-RATED



LUMENS	LENGTH					
	A	B	C	D	E	F
L7	15-1/16"	16"	4-1/2"	12-1/8"	9-1/2"	6-1/16"
L12			6-3/8"			

REMODEL

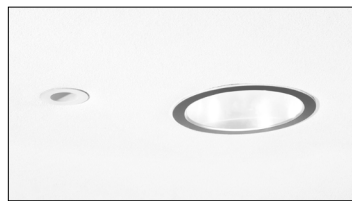


APERTURE ADAPTOR ORDERING INFO

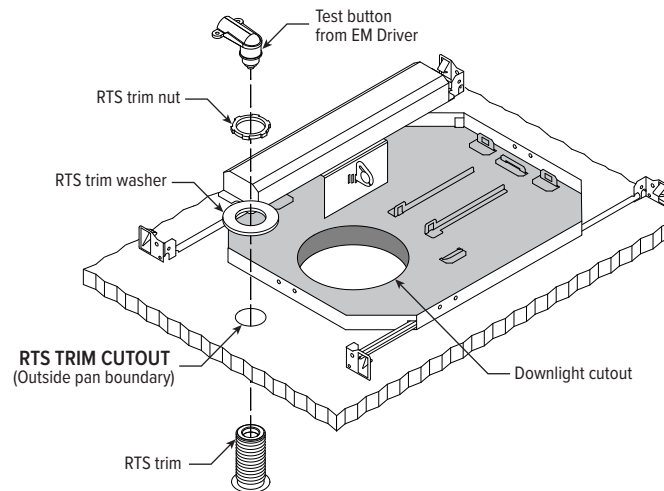
ORDERING EXAMPLE: 4DR - GR - 0575 - WHT			
SERIES	CATALOG NUMBER	CEILING CUTOUT	FINISH
4AR 6AR	GR	Specify ceiling cutout in 1/8" increments. Example: 5.75" = 0575	CS Clear semi-specular powder coat
4DR 6DR			WH White texture powder coat
4DS 6DS			BL Black texture powder coat
4PR 6PR			
4PS 6PS 8DR			
		See Kit Components for application limits.	

Additional finishes available, consult factory. For use with remodel downlights. For limitations and instructions, see hew.com/aperture-adaptor.pdf

EM/10W/RTS DETAILS



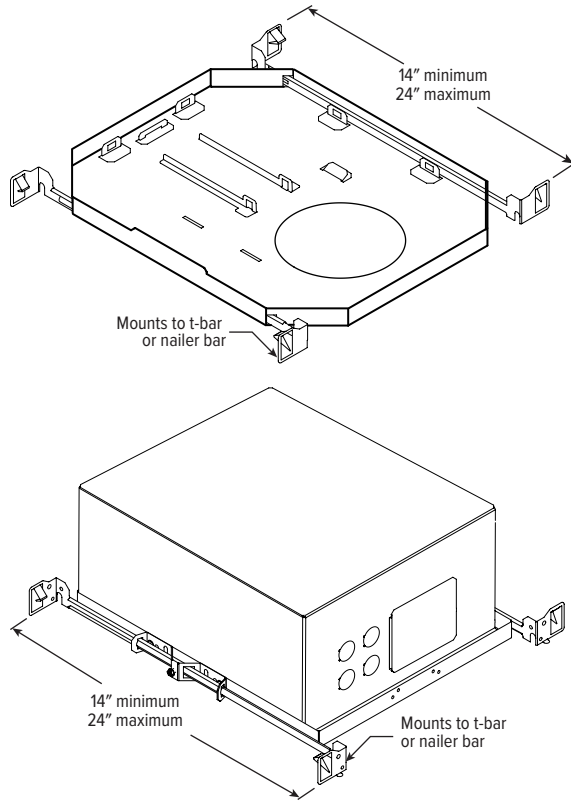
Shown Installed



4PR dim to WARM 4.5" Shallow Plenum Downlight – Round

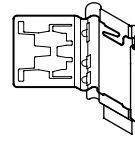
MOUNTING HARDWARE DETAILS

F1 Integral 2-position fixed pan bracket, universal bar hanger included

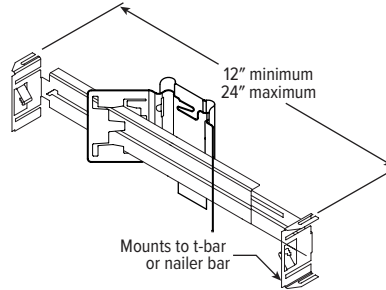


F1 with I Mounting Type

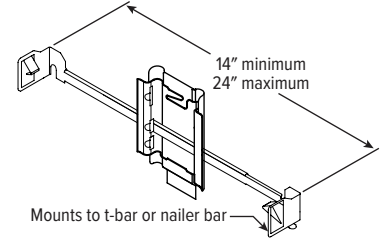
BA1 Adjustable butterfly pan bracket, bar hanger not included (N Mounting Type only)



BA2 Adjustable butterfly pan bracket, heavy-duty universal bar hanger included (N Mounting Type only)



CA1 Adjustable caterpillar pan bracket, universal bar hanger included (N Mounting Type only)



CA2 Adjustable caterpillar pan bracket, t-bar hanger included (N Mounting Type only)

