



# 4PS dim to WARM

## 4.5" Shallow Plenum Downlight – Square

### FEATURES

- Mimic the comfortable, welcoming glow of incandescent with warm-dimming technology
- Beam angles ranging from 30° narrow to 75° wide for tailored performance
- 4 inch aperture is unobtrusive in small scale spaces
- Slim 5 inch depth for minimal plenum space applications
- Square shape accentuates architectural styles
- Spring clip retention system eliminates trim sag
- Die-cast trim with flush lens provides glare-free illumination for a soft ceiling appearance
- Fully room-side accessible

### SPECIFICATIONS

- HOUSING** – Formed steel housing with forged aluminum heat sink. Galvanized steel splice compartment with driver mounting plate/enclosure. Mounting clips allow for ceiling thickness from 1/2" – 1-1/2" (consult factory for additional ceiling thicknesses).
- LENSED TRIM** – Die-cast aluminum frame with micro-prismatic, acrylic lens.
- ELECTRICAL** – High-performance Class 2 C.O.B. LED array. Modular quick-connect plug for easy field-connection of LED light assembly to driver. Reported L70>55,000 hours. Reported L90>55,000 hours. Estimated L70 = 200,000 hours.
- MOUNTING** – Recessed. 20 ga. galvanized steel mounting pan for new construction or IC-rated enclosure. Remodel kit option includes receiver bracket hardware.
- LISTINGS** –
  - cCSAus conforms to UL STD 1598; Certified to CAN/CSA STD C22.2 No. 250.0 for dry and damp locations. LED light assembly conforms to UL 2108 for remote installation.
  - Suitable for wet location under covered ceiling when specified with WET/CC option.
  - IC-rated for direct contact with insulation when specified with I Mounting Type.
  - City of Chicago Environmental Air approved when specified with CP option.
  - Complies with ASTM-E283 when specified with ATH option.
  - RoHS compliant.
  - Complies with the Buy American Act and other federal regulations. Request certification at [hew.com/baa](http://hew.com/baa).
- WARRANTY** – 5-year limited warranty, see [hew.com/warranty](http://hew.com/warranty).

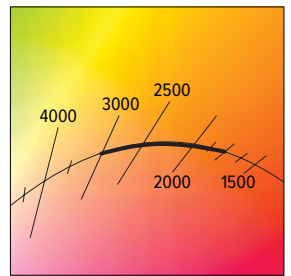
### FIXTURE PERFORMANCE DATA

	DISTRIBUTION	DELIVERED LUMENS	CCT AT 100% (FULL OUTPUT)	CCT AT 1% (FULL DIM)	WATTAGE	EFFICACY (lm/W)
L7	W	753	3000K	1800K	14.0	54
	M	780			14.0	56
	N	754			14.0	54
L12	W	1321			23.4	57
	M	1367			23.4	58
	N	1323			23.4	57
L20	W	1955			37.7	52
	M	2021			37.7	54
	N	1956			37.7	52

### MULTIPLIER TABLE

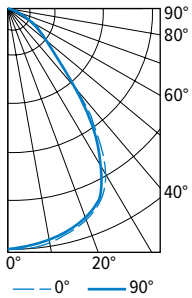
TRIM	
CATALOG NUMBER	CONVERSION FACTOR
AD	0.85
PD	0.85

- Photometrics tested in accordance with IESNA LM-79. Results shown are based on 25°C ambient temperature.
- Wattage shown is based on 120V input.
- Results based on 3000K, 95 CRI, full output, actual lumens may vary +/-5%
- To calculate lumen output in emergency mode, multiply the battery wattage by the efficacy.
- Use multiplier table to calculate additional options.



### PHOTOMETRY

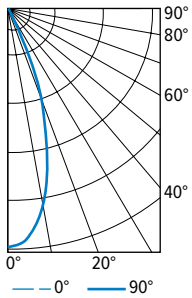
4PS-L20/9DW-DIM1-UNV-LW-OF-WH Total Luminaire Output: 1955 lumens; 37.7 Watts | Efficacy: 51.9 lm/W | 95.0 CRI; 3000K CCT



CANDLEPOWER DISTRIBUTION	VERTICAL ANGLE	HORIZONTAL ANGLE			ZONAL LUMENS
		0°	45°	90°	
	0	1100	1100	1100	
	5	1100	1094	1093	104
	15	1060	1055	1052	298
	25	991	994	981	452
	35	704	838	684	470
	45	317	488	306	305
	55	181	204	174	173
	65	99	97	96	99
	75	42	41	41	45
	85	6	6	5	9
	90	0	0	0	

LUMEN SUMMARY	ZONE	LUMENS	% FIXTURE
	0 - 30	854	44
	0 - 40	1324	68
	0 - 60	1802	92
	0 - 90	1955	100
	0 - 180	1955	100

4PS-L20/9DW-DIM1-UNV-LM-OF-WH Total Luminaire Output: 2021 lumens; 37.7 Watts | Efficacy: 53.6 lm/W | 95.0 CRI; 3000K CCT



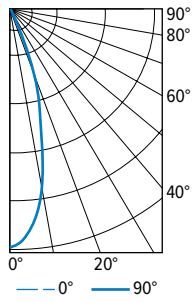
CANDLEPOWER DISTRIBUTION	VERTICAL ANGLE	HORIZONTAL ANGLE			ZONAL LUMENS
		0°	45°	90°	
	0	4343	4343	4343	
	5	4200	4188	4202	385
	15	2875	2876	2855	777
	25	995	990	992	487
	35	290	293	308	198
	45	107	116	113	90
	55	48	53	49	46
	65	23	25	25	24
	75	10	10	11	11
	85	0	1	1	2
	90	0	0	0	

LUMEN SUMMARY	ZONE	LUMENS	% FIXTURE
	0 - 30	1648	82
	0 - 40	1847	91
	0 - 60	1983	98
	0 - 90	2021	100
	0 - 180	2021	100



# 4PS dim to WARM 4.5" Shallow Plenum Downlight – Square

4PS-L20/9DW-DIM1-UNV-LN-OF-WH Total Luminaire Output: 1956 lumens; 37.7 Watts | Efficacy: 51.9 lm/W | 95.0 CRI; 3000K CCT



CANDLEPOWER DISTRIBUTION	VERTICAL ANGLE	HORIZONTAL ANGLE			ZONAL LUMENS
		0°	45°	90°	
	0	5104	5104	5104	
	5	4807	4766	4753	429
	15	2695	2727	2680	750
	25	831	904	883	427
	35	230	248	261	167
	45	99	105	108	83
	55	56	61	59	54
	65	27	32	30	30
	75	10	12	12	13
	85	0	1	1	2
	90	0	0	0	

LUMEN SUMMARY	ZONE	LUMENS	% FIXTURE
	0 - 30	1607	82
	0 - 40	1774	91
	0 - 60	1911	98
	0 - 90	1956	100
	0 - 180	1956	100

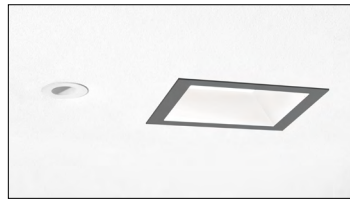
## EMERGENCY BATTERY OPTIONS

Additional limitations apply, see page 1. Specify CEC in the option code when California Energy Commission regulations are required.

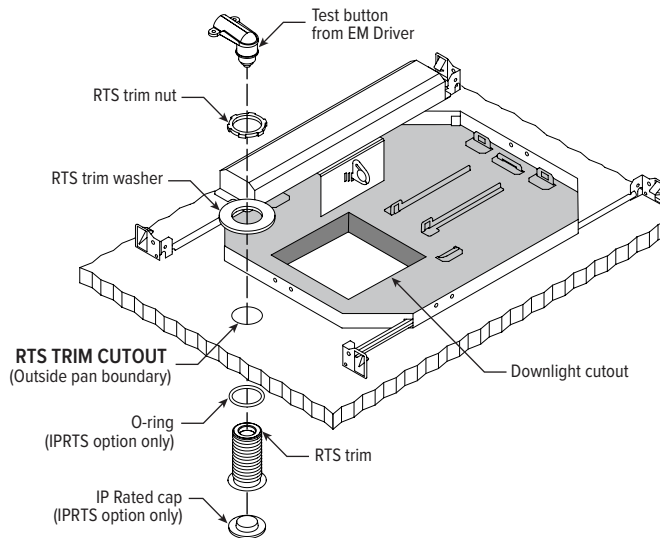
CATALOG NUMBER	DESCRIPTION
EM/7W	7-watt emergency battery <sup>[1]</sup>
EM/7W/RTS	7-watt emergency battery with regressed test switch <sup>[2]</sup>
EM/7W/IPRTS	7-watt emergency battery with IP65 rated regressed test switch
EM/10W	10-watt emergency battery <sup>[1]</sup>
EM/10W/RTS	10-watt emergency battery with regressed test switch <sup>[2]</sup>
EM/10W/IPRTS	10-watt emergency battery with IP65 rated regressed test switch

- <sup>1</sup> Not available with IP Option.
- <sup>2</sup> Not available with IP or WET/CC Options.

## REGRESSED TEST SWITCH DETAILS

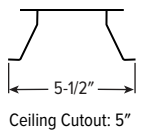


Shown Installed

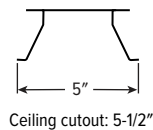


## FLANGE TYPE DETAILS

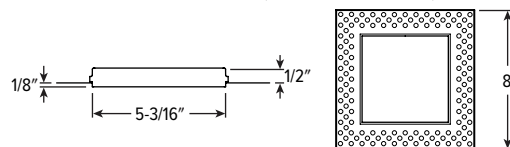
### 1/2" STANDARD



### 1/4" MUD-IN



### MUD FLANGE MOUNTING KIT (SLIM FLANGE TYPE)



## REFLECTOR FINISH DETAILS

### CS

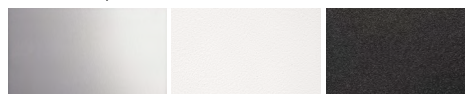
Clear semi-specular

### WH

White

### BL

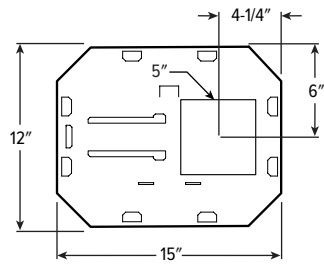
Black



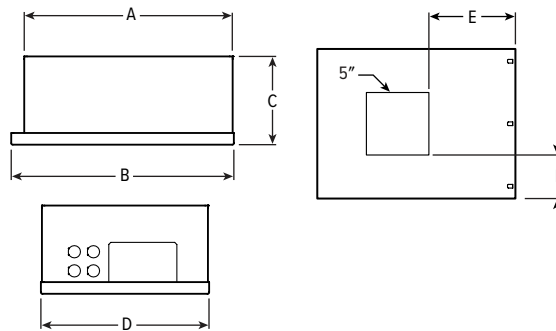
# 4PS dim to WARM 4.5" Shallow Plenum Downlight – Square

## MOUNTING TYPE DETAILS

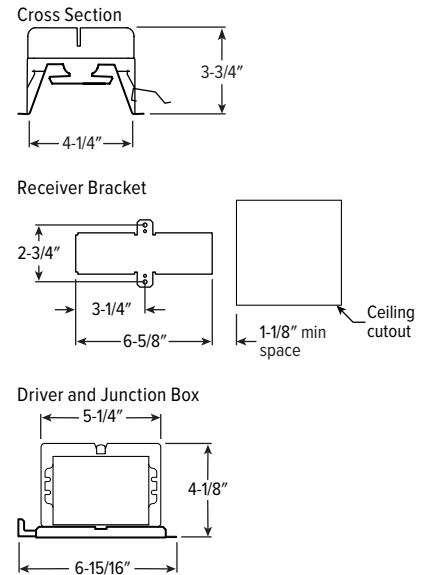
### NEW CONSTRUCTION



### IC-RATED



### REMODEL



LUMENS	LENGTH					
	A	B	C	D	E	F
L7	15-1/16"	16"	4-1/2"	12-1/8"	7"	3-9/16"
L12			6-3/8"			

## APERTURE ADAPTOR ORDERING INFO

ORDERING EXAMPLE: 4DR - GR - 0575 - WHT			
SERIES	CATALOG NUMBER	CEILING CUTOUT	FINISH
4AR 6AR	GR	Specify ceiling cutout in 1/8" increments. Example: 5.75" = 0575	CS Clear semi-specular powder coat
4DR 6DR			WH White texture powder coat
4DS 6DS			BL Black texture powder coat
4PR 6PR			
4PS 6PS 8DR			
		See Kit Components for application limits.	

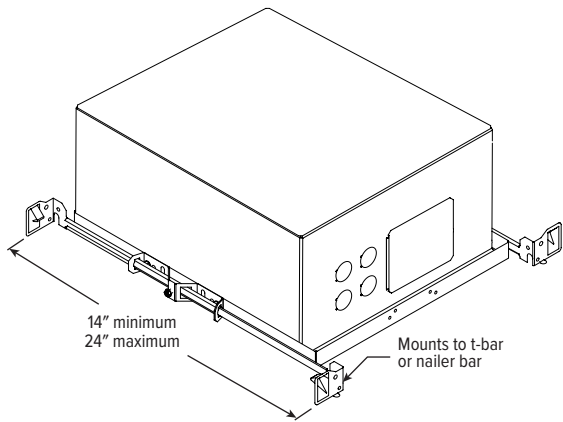
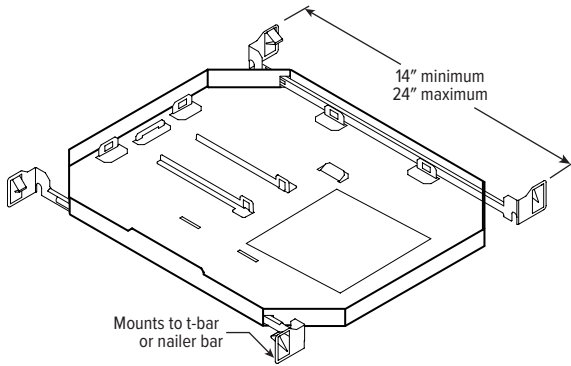
For use with remodel downlights. Additional finishes available, consult factory.  
For limitations and instructions, see [hew.com/aperture-adaptor.pdf](http://hew.com/aperture-adaptor.pdf)



# 4PS dim to WARM 4.5" Shallow Plenum Downlight – Square

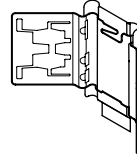
## MOUNTING HARDWARE DETAILS

**F1** Integral 2-position fixed pan bracket, universal bar hanger included

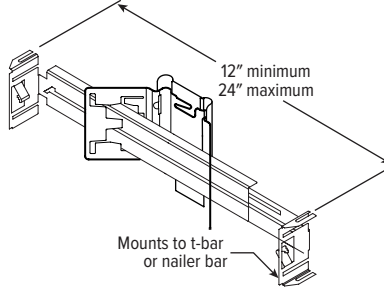


F1 with I Mounting Type

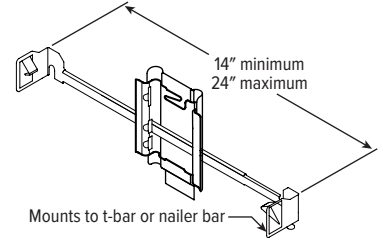
**BA1** Adjustable butterfly pan bracket, bar hanger not included (N Mounting Type only)



**BA2** Adjustable butterfly pan bracket, heavy-duty universal bar hanger included (N Mounting Type only)



**CA1** Adjustable caterpillar pan bracket, universal bar hanger included (N Mounting Type only)



**CA2** Adjustable caterpillar pan bracket, t-bar hanger included (N Mounting Type only)

