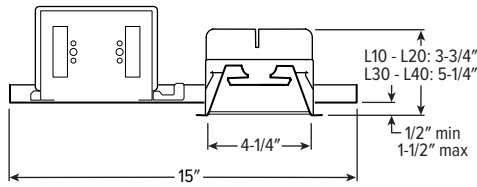
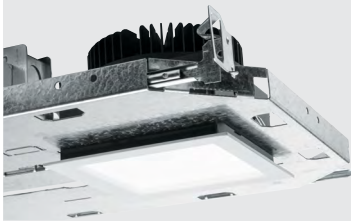


4PS LED 4.5" Shallow Plenum Downlight – Square



CATALOG #: _____

TYPE: _____

PROJECT: _____

NEW CONSTRUCTION AND REMODEL

FEATURES

- Slim 5" depth for minimal plenum space applications
- Beam angles ranging from 30° narrow to 75° wide for tailored performance
- 4 inch aperture is unobtrusive in small scale spaces
- Square shape accentuates architectural styles
- Spring clip retention system eliminates trim sag
- Die cast trim with flush lens provides glare-free illumination for a soft ceiling appearance
- Industry-leading efficacies as high as 99 lm/W
- Fully room-side accessible

SPECIFICATIONS

- **HOUSING** – Formed steel housing with forged aluminum heat sink. Galvanized steel splice compartment with driver mounting plate/enclosure. Mounting clips allow for ceiling thickness from 1/2" – 1-1/2" (consult factory for additional ceiling thicknesses).
- **LENSED TRIM** – Die-cast aluminum frame with micro-prismatic, tempered glass lens.
- **ELECTRICAL** – High-performance Class 2 C.O.B. LED array. Modular quick-connect plug for easy field-connection of LED light assembly to driver. Reported L70>55,000 hours. Reported L90>55,000 hours. Estimated L70 = 200,000 hours.
- **MOUNTING** – Recessed. 20 ga. galvanized steel mounting pan for new construction or IC-rated enclosure. Remodel kit option includes receiver bracket hardware. Minimum 24" O.C. marked spacing required for L40 lumen package.
- **LISTINGS** –
 - cCSAus conforms to UL STD 1598; Certified to CAN/CSA STD C22.2 No. 250.0 for damp locations. LED light assembly conforms to UL 2108 for remote installation.
 - Suitable for wet location under covered ceiling when specified with WET/CC option.
 - IC-rated for direct contact with insulation when specified with I Mounting Type.
 - City of Chicago Environmental Air approved when specified with CP option.
 - Complies with ASTM-E283 when specified with ATH option.
 - RoHS compliant.
- **WARRANTY** – 5-year limited warranty, see hew.com/warranty.

ORDERING EXAMPLE: 4PS - L40/835 - OPTIONS - DIM - UNV - LW - OF - WH - TRIM OPTIONS - N - F1

HOUSING TRIM MOUNT.

HOUSING

SERIES	LUMENS ^[1]	CRI	CCT	OPTIONS	CONTROL ^[2]	VOLTAGE
4PS	L10	1,000lm ^[3]	8 80	27 2700K	EM/7W 7-watt emergency battery ^[5]	UNV 120-277V
	L15	1,500lm	9 90 ^[4]	30 3000K	DIM Dimming driver, 0-10V	
	L20	2,000lm		35 3500K	DIM1 1% Dimming driver, 0-10V	347 347V ^[10]
	L30	3,000lm		40 4000K	EM/10W 10-watt emergency battery ^[6]	
	L40	4,000lm		50 5000K	EM/10W/RTS 10-watt emergency battery with regressed test switch ^[7]	
				ATH Airtight construction		
				CP Chicago plenum (CCEA) ^[8]		
				F Fuse kit		
				SDT Stepdown transformer ^[9]		

TRIM^[11]

TRIM TYPE	DISTRIBUTION ^[12]	FLANGE TYPE	REFLECTOR FINISH	TRIM OPTIONS
L Flush lens	W 75° Wide M 35° Medium N 30° Narrow	OF 1/2" standard flange SF 1/4" mud-in flange ^[13]	CS Clear semi-specular powder coat WH White texture powder coat BL Black texture powder coat	IP IP65 rated trim AD Diffuse acrylic lens ^[14] PD Diffuse 1/8" polycarbonate lens ^[15] WET/CC Wet location, covered ceiling listed AM Anti-microbial ^[16]

MOUNTING

MOUNTING TYPE^[17]

- N Open pan for new construction
- I IC-rated enclosure for new construction^[19]
- R Remodel kit^[20]

MOUNTING HARDWARE^[18]

- F1 Integral 2-position fixed pan bracket, universal bar hanger included^[21]
- BA1 Adjustable butterfly pan bracket, bar hanger not included^[22]
- CA1 Adjustable caterpillar pan bracket, universal bar hanger included^[23]

NOTES

- Lumen output based on L trim type, W distribution and WH finish, 3500K/80CRI. Actual lumens may vary +/-5%. See page 2 for FIXTURE PERFORMANCE DATA.
- See page 3 for ADDITIONAL CONTROL OPTIONS.
- Not available with EM/10W emergency batteries.
- Extended lead times may apply. Consult factory for availability.
- N and R Mounting Types only. L10 only available with EM/7W.
- N and R Mounting Types only.
- Not available with WET/CC, ATH or IP options. N and R Mounting Types only. See page 4 for EM/10W/RTS DETAILS.
- I Mounting Type required.
- May be required for 347V, see product builder at hew.com/product-builder
- Not available with EM batteries or DMX controls.
- Trim ships separately.
- Beam angle based on WH reflector finish.
- For use with mud-in plaster construction only, supplied with mud flange installation kit. See page 3 for FLANGE TYPE DETAILS. Not available with ATH or IP options.
- Wide distribution only.
- Wide distribution only.
- WH and BL Reflector Finishes only.
- Mounting hardware required (N and I only), ordered separately, see MOUNTING HARDWARE ordering info. See page 3 for MOUNTING TYPE DETAILS.
- Additional mounting hardware options available. See page 4 for MOUNTING HARDWARE DETAILS.
- Not available with L30 and L40 lumen packages.
- Also used in new construction sheetrock ceilings.
- N and I Mounting Types only. I Mounting requires external brackets.
- N Mounting Type only.
- N Mounting Type only.



4PS LED 4.5" Shallow Plenum Downlight – Square

FIXTURE PERFORMANCE DATA

	DISTRIBUTION	DELIVERED LUMENS	WATTAGE	EFFICACY (lm/W)
L10	W	1029	10.7	96.0
	M	1064	10.7	99.2
	N	1030	10.7	96.0
L15	W	1581	17.2	91.8
	M	1634	17.2	94.8
	N	1581	17.2	91.8
L20	W	2058	23.5	87.7
	M	2127	23.5	90.6
	N	2059	23.5	87.7
L30	W	3087	33.2	92.9
	M	3191	33.2	96.1
	N	3088	33.2	93.0
L40	W	4116	44.7	92.0
	M	4261	44.7	95.3
	N	4122	44.7	92.2

MULTIPLIER TABLES

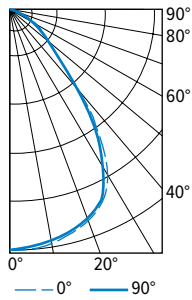
	COLOR TEMPERATURE		
	CCT	CONVERSION FACTOR	
80 CRI	2700K	0.92	
	3000K	0.98	
	3500K	1.00	
	4000K	1.01	
90 CRI	2700K	0.76	
	3000K	0.79	
	3500K	0.82	
	4000K	0.84	
		5000K	0.88

TRIM	
CATALOG NUMBER	CONVERSION FACTOR
AD	0.85
PD	0.85

- Photometrics tested in accordance with IESNA LM-79. Results shown are based on 25°C ambient temperature.
- Wattage shown is based on 120V input.
- Results based on L trim type, W distribution and WH finish, 3500K/80CRI, actual lumens may vary +/-5%
- Use multiplier tables to calculate additional options.

PHOTOMETRY

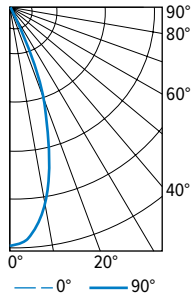
4PS-L40/835-DIM-UNV-LW-OF-WH Report #: 20339; 04/25/18 | Total Luminaire Output: 4116 lumens; 44.7 Watts | Efficacy: 92.0 lm/W | 82.8 CRI; 3431K CCT



VERTICAL ANGLE	HORIZONTAL ANGLE			ZONAL LUMENS
	0°	45°	90°	
0	2316	2316	2316	
5	2315	2303	2302	220
15	2232	2221	2214	629
25	2087	2092	2065	964
35	1483	1764	1441	1016
45	667	1028	644	620
55	382	429	367	358
65	208	205	203	205
75	88	87	87	93
85	13	12	10	12
90	0	0	0	

LUMEN SUMMARY	ZONE	LUMENS	% FIXTURE
	0 - 30	1813	44
	0 - 40	2829	69
	0 - 60	3806	93
	0 - 90	4116	100
	0 - 180	4116	100

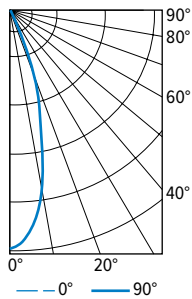
4PS-L40/835-DIM-UNV-LM-OF-WH Report #: 20341; 04/24/18 | Total Luminaire Output: 4261 lumens; 44.7 Watts | Efficacy: 95.3 lm/W | 82.8 CRI; 3431K CCT



VERTICAL ANGLE	HORIZONTAL ANGLE			ZONAL LUMENS
	0°	45°	90°	
0	9143	9143	9143	
5	8842	8817	8847	842
15	6053	6054	6011	1714
25	2094	2085	2088	967
35	611	616	649	388
45	226	244	238	182
55	100	111	103	93
65	48	52	52	50
75	21	21	24	22
85	1	3	2	2
90	0	0	0	

LUMEN SUMMARY	ZONE	LUMENS	% FIXTURE
	0 - 30	3523	83
	0 - 40	3911	92
	0 - 60	4186	98
	0 - 90	4261	100
	0 - 180	4261	100

4PS-L40/835-DIM-UNV-LN-OF-WH Report #: 20342; 04/24/18 | Total Luminaire Output: 4122 lumens; 44.7Watts | Efficacy: 92.2 lm/W | 82.8 CRI; 3431K CCT



VERTICAL ANGLE	HORIZONTAL ANGLE			ZONAL LUMENS
	0°	45°	90°	
0	10746	10746	10746	
5	10121	10033	10007	958
15	5673	5741	5643	1618
25	1750	1904	1859	850
35	485	522	550	324
45	208	221	228	170
55	118	129	125	112
65	57	67	63	63
75	22	26	26	26
85	0	2	3	2
90	0	0	0	

LUMEN SUMMARY	ZONE	LUMENS	% FIXTURE
	0 - 30	3425	83
	0 - 40	3750	91
	0 - 60	4031	98
	0 - 90	4122	100
	0 - 180	4122	100



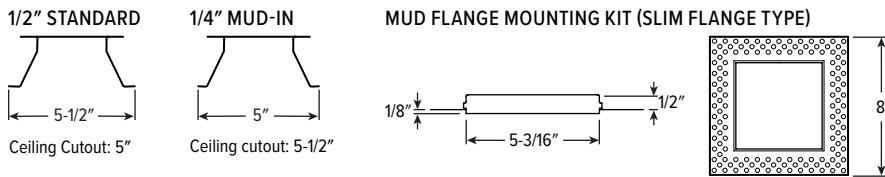
4PS LED 4.5" Shallow Plenum Downlight – Square

ADDITIONAL CONTROL OPTIONS

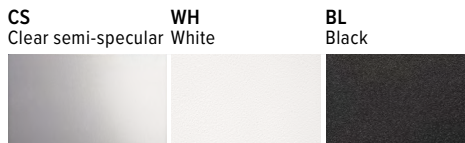
Lumen restrictions apply: L30 max for DMX driver, L30 max for Lutron drivers, L40 max for DIM LINE driver. R Mounting Type only available with DIM, DIM1, and DIM LINE controls. 347V may require stepdown transformer, see product builder at hew.com/product-builder.

CATALOG NUMBER	DESCRIPTION
DIM	Dimming driver prewired for 0-10V low voltage applications
DIM1	1% dimming driver prewired for 0-10V low voltage applications
DIM LINE	Line voltage dimming driver (TRIAC and ELV compatible at 120V only)
DMX	0.1% dimming driver for DMX controls
LTE LINE	Lutron Hi-lume 1% 2-wire dimming driver forward phase line voltage controls (120V only)
LDE1	Lutron Hi-lume 1% EcoSystem dimming LED driver
LDE5	Lutron 5-Series 5% EcoSystem dimming LED driver
VRF/DBI/LDE1	Lutron Vive integral fixture control, RF only (DFCSJ-OEM-RF), Lutron Hi-lume 1% EcoSystem dimming LED driver, and digital link interface
VRF/DBI/LDE5	Lutron Vive integral fixture control, RF only (DFCSJ-OEM-RF), Lutron 5-Series 5% EcoSystem dimming LED driver, and digital link interface
FCJS/DIM	Lutron Vive PowPak wireless fixture control with dimming driver
FCJS/DIM1	Lutron Vive PowPak wireless fixture control with 1% dimming driver
ELDO SOLOB	EldoLED Solodrive, 0.1% dimming driver for 0-10V controls
ELDO SOLOB DALI	EldoLED Solodrive, 0.1% dimming driver for DALI controls
ELDO ECO1	EldoLED Ecodrive, 1% dimming driver for 0-10V controls
ELDO ECO1 DALI	EldoLED Ecodrive, 1% dimming driver for DALI controls

FLANGE TYPE DETAILS

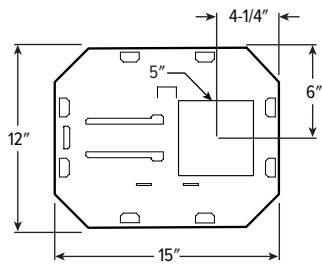


REFLECTOR FINISH DETAILS

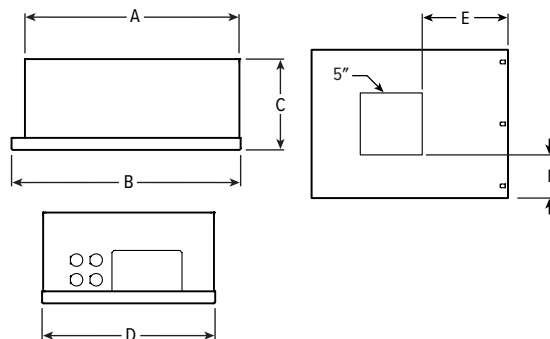


MOUNTING TYPE DETAILS

NEW CONSTRUCTION

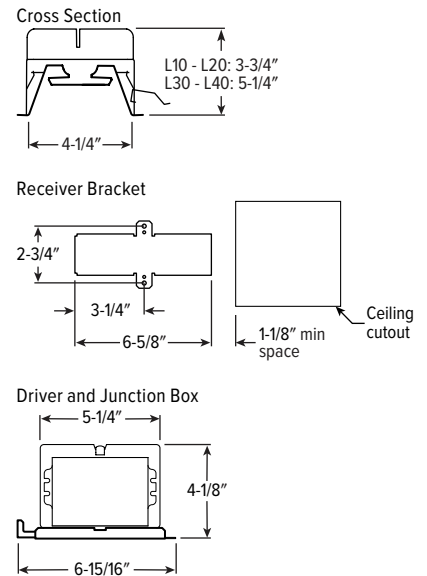


IC-RATED



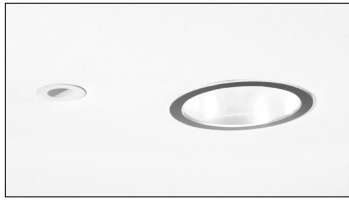
LUMENS	LENGTH					
	A	B	C	D	E	F
L10 - L20	15-1/16"	16"	4-1/2"	12-1/8"	7"	3-9/16"

REMODEL

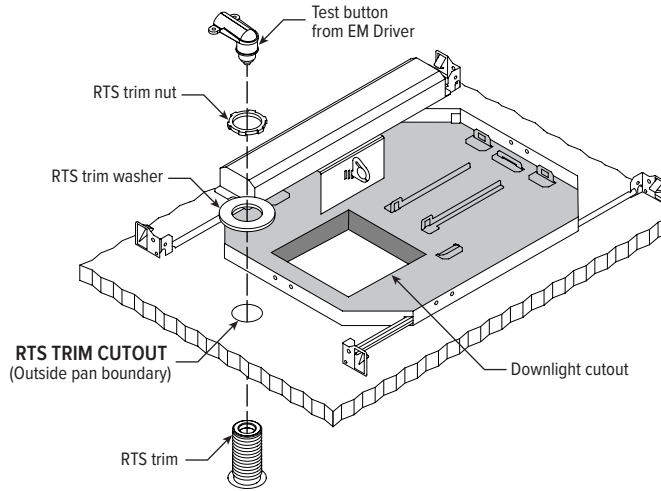


4PS^{LED} 4.5" Shallow Plenum Downlight – Square

EM/10W/RTS DETAILS

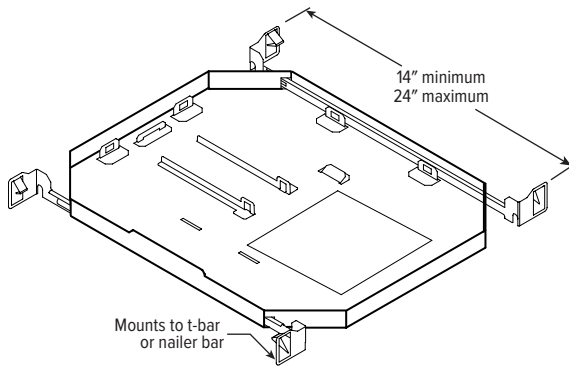


Shown Installed

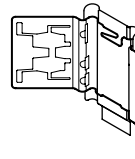


MOUNTING HARDWARE DETAILS

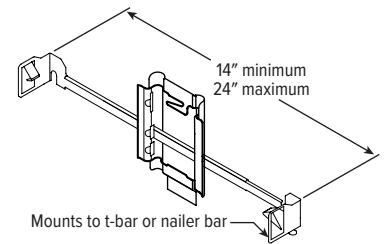
F1 Integral 2-position fixed pan bracket, universal bar hanger included



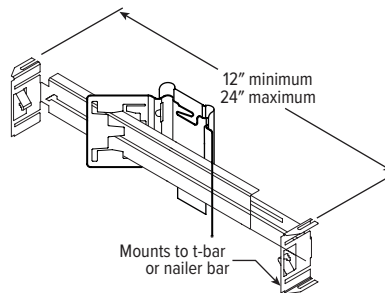
BA1 Adjustable butterfly pan bracket, bar hanger not included (N Mounting Type only)



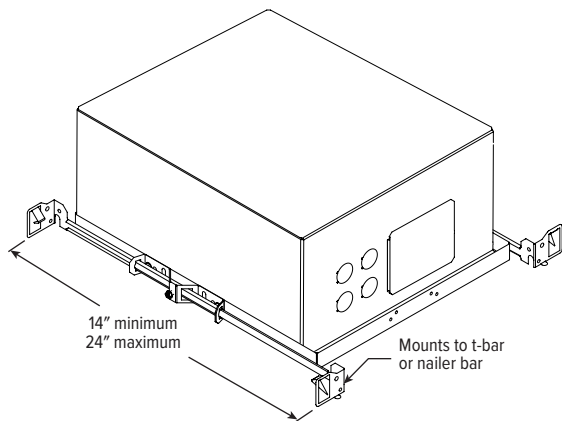
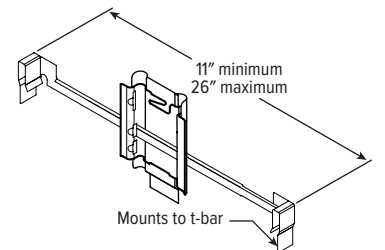
CA1 Adjustable caterpillar pan bracket, universal bar hanger included (N Mounting Type only)



BA2 Adjustable butterfly pan bracket, heavy-duty universal bar hanger included (N Mounting Type only)



CA2 Adjustable caterpillar pan bracket, t-bar hanger included (N Mounting Type only)



F1 with I Mounting Type

