

4PS PoE | tunable WHITE

4.5" Shallow Plenum Downlight – Square

FIXTURE PERFORMANCE DATA

STANDARD

	DIST.	DELIVERED LUMENS	WATTAGE	EFFICACY (lm/W)
P13	W	1289	12.3	104.8
	M	1333	12.3	108.3
	N	1290	12.3	104.8
P24	W	2393	25.0	96.0
	M	2474	25.0	99.0
	N	2394	25.0	96.0
	W	3806	37.5	101.5
P38	M	3934	37.5	104.9
	N	3807	37.5	101.5

TUNABLE WHITE

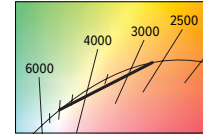
	DIST.	DELIVERED LUMENS	WATTAGE	EFFICACY (lm/W)
P13	W	1005	12.3	81.7
	M	1017	12.3	82.6
	N	982	12.3	79.9
P24	W	2005	25.0	80.2
	M	2133	25.0	85.3
	N	2062	25.0	82.5

- Photometrics tested in accordance with IESNA LM-79. Results shown are based on 25°C ambient temperature.
- Standard results based on 3500K/80 CRI, actual lumens may vary +/-5%
- Tunable white results based on 4000K/80 CRI, actual lumens may vary +/-5%
- Use multiplier tables to calculate additional options.

MULTIPLIER TABLES

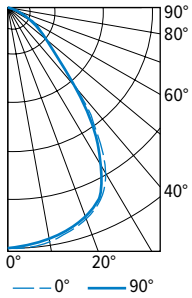
	COLOR TEMPERATURE	
	CCT	LUMENS
80 CRI	STANDARD	TUNABLE WHITE
	2700K	0.92 0.83
	3000K	0.98 1.00
	3500K	1.00 0.99
	4000K	1.01 1.00
5000K	1.02 0.98	
90 CRI	2700K	0.76 -
	3000K	0.79 -
	3500K	0.82 -
	4000K	0.84 -
	5000K	0.88 -

TRIM	
CATALOG NUMBER	CONVERSION FACTOR
AD	0.85
PD	0.85



PHOTOMETRY

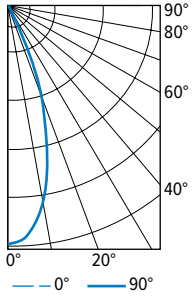
4PS-P24/835-POE PR-LW-OF-WH Total Luminaire Output: 2393 lumens; 25.0 Watts | Efficacy: 96.0 lm/W | 80 CRI; 3500K CCT



CANDLEPOWER DISTRIBUTION	VERTICAL ANGLE	HORIZONTAL ANGLE			ZONAL LUMENS
		0°	45°	90°	
	0	1347	1347	1346	
	5	1346	1339	1338	127
	15	1298	1291	1287	365
	25	1213	1216	1201	553
	35	862	1026	838	575
	45	388	598	374	374
	55	222	249	213	212
	65	121	119	118	121
	75	51	51	51	55
	85	8	7	6	11
	90	0	0	0	

LUMEN SUMMARY	ZONE	LUMENS	% FIXTURE
	0 - 30	1045	44
	0 - 40	1620	68
	0 - 60	2206	92
	0 - 90	2393	100
	0 - 180	2393	100

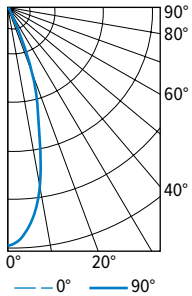
4PS-P24/835-POE PR-LM-OF-WH Total Luminaire Output: 2474 lumens; 25.0 Watts | Efficacy: 99.0 lm/W | 80 CRI; 3500K CCT



CANDLEPOWER DISTRIBUTION	VERTICAL ANGLE	HORIZONTAL ANGLE			ZONAL LUMENS
		0°	45°	90°	
	0	5317	5317	5317	
	5	5142	5128	5145	471
	15	3520	3521	3496	951
	25	1218	1213	1214	596
	35	355	358	377	243
	45	131	142	138	111
	55	58	65	60	57
	65	28	30	30	30
	75	12	12	14	13
	85	1	2	1	2
	90	0	0	0	

LUMEN SUMMARY	ZONE	LUMENS	% FIXTURE
	0 - 30	2018	82
	0 - 40	2261	91
	0 - 60	2428	98
	0 - 90	2474	100
	0 - 180	2474	100

4PS-P24/835-POE PR-LN-OF-WH Total Luminaire Output: 2394 lumens; 25.0 Watts | Efficacy: 96.0 lm/W | 80 CRI; 3500K CCT



CANDLEPOWER DISTRIBUTION	VERTICAL ANGLE	HORIZONTAL ANGLE			ZONAL LUMENS
		0°	45°	90°	
	0	6249	6249	6249	
	5	5885	5834	5819	526
	15	3299	3338	3281	919
	25	1018	1107	1081	523
	35	282	304	320	205
	45	121	129	133	102
	55	69	75	73	66
	65	33	39	37	37
	75	13	15	15	15
	85	0	1	2	2
	90	0	0	0	

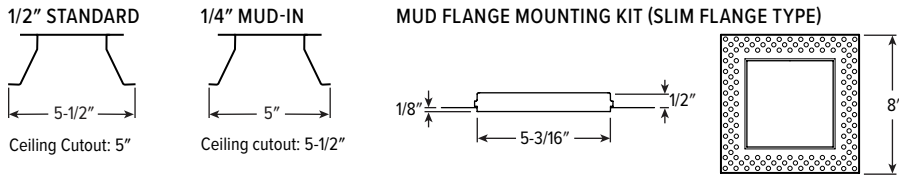
LUMEN SUMMARY	ZONE	LUMENS	% FIXTURE
	0 - 30	1967	82
	0 - 40	2172	91
	0 - 60	2339	98
	0 - 90	2394	100
	0 - 180	2394	100



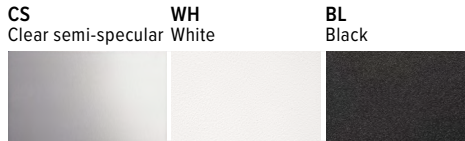
4PS PoE | tunable WHITE

4.5" Shallow Plenum Downlight – Square

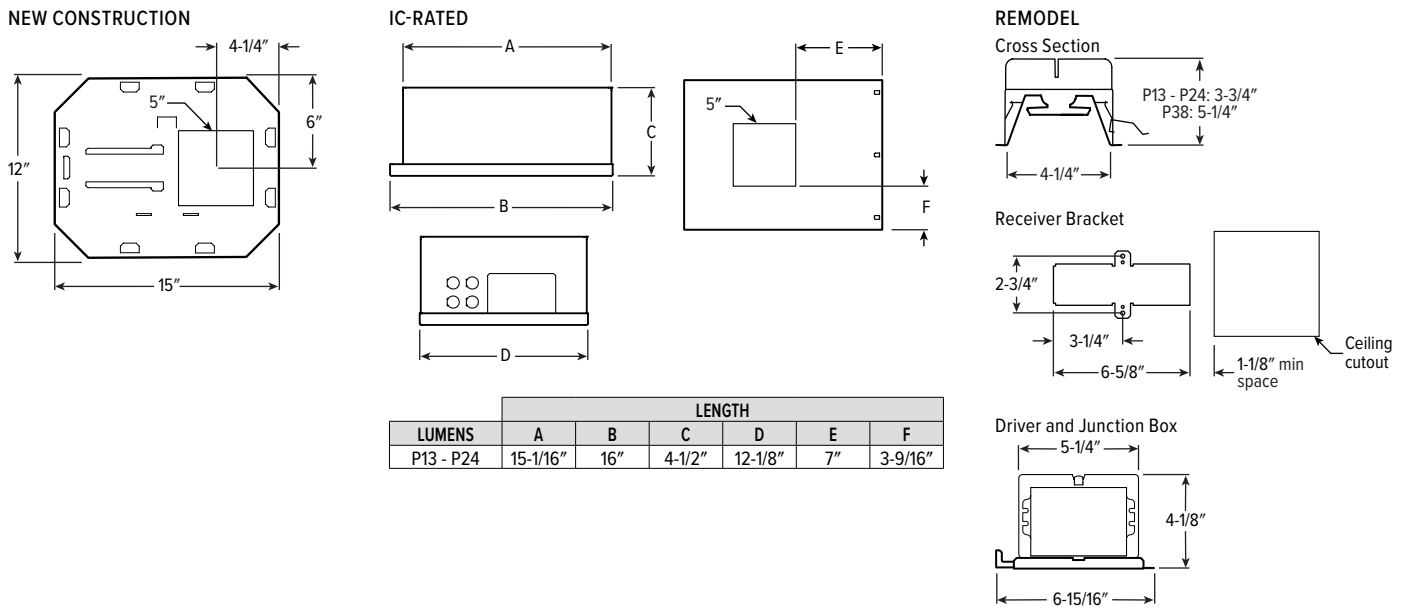
FLANGE TYPE DETAILS



REFLECTOR FINISH DETAILS



MOUNTING TYPE DETAILS



APERTURE ADAPTOR ORDERING INFO

ORDERING EXAMPLE: 4DR - GR - 0575 - WHT			
SERIES	CATALOG NUMBER	CEILING CUTOUT	FINISH
4AR 6AR 4DR 6DR 4DS 6DS 4PR 6PR 4PS 6PS 8DR	GR	Specify ceiling cutout in 1/8" increments. Example: 5.75" = 0575 See Kit Components for application limits.	CS Clear semi-specular powder coat WH White texture powder coat BL Black texture powder coat

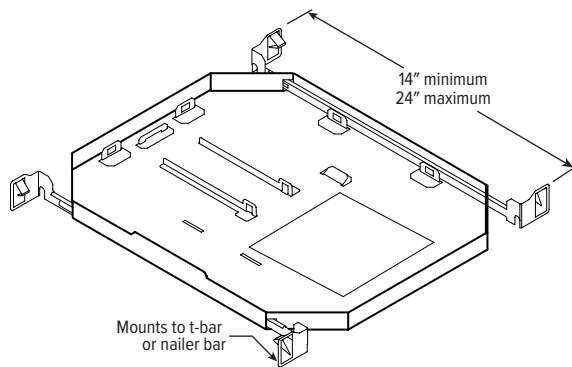
Additional finishes available, consult factory. For use with remodel downlights. For limitations and instructions, see hew.com/aperture-adaptor.pdf

4PS PoE | tunable WHITE

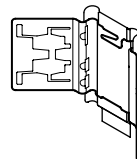
4.5" Shallow Plenum Downlight – Square

MOUNTING HARDWARE DETAILS

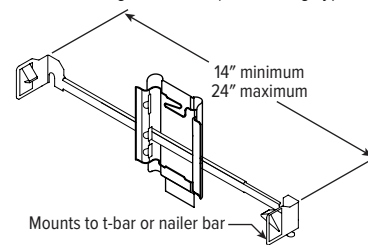
F1 Integral 2-position fixed pan bracket, universal bar hanger included



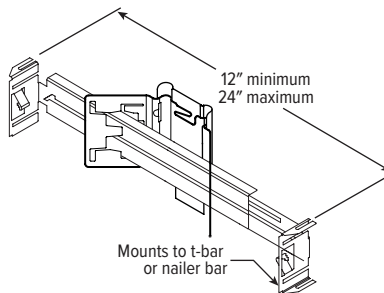
BA1 Adjustable butterfly pan bracket, bar hanger not included (N Mounting Type only)



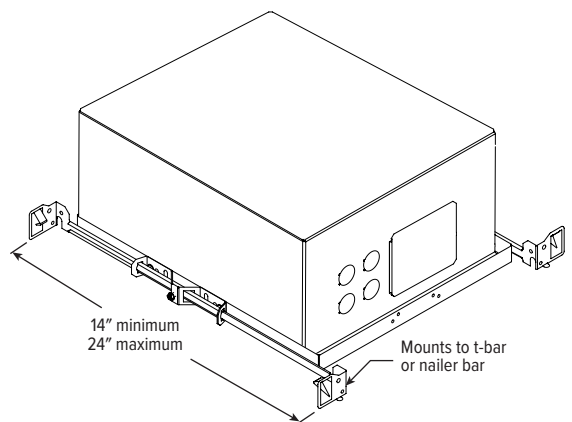
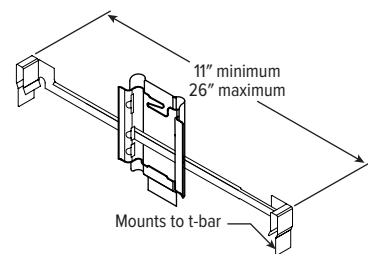
CA1 Adjustable caterpillar pan bracket, universal bar hanger included (N Mounting Type only)



BA2 Adjustable butterfly pan bracket, heavy-duty universal bar hanger included (N Mounting Type only)



CA2 Adjustable caterpillar pan bracket, t-bar hanger included (N Mounting Type only)



F1 with I Mounting Type

NODE CONNECTION DETAILS

Includes 24" cable with 4-position mating connector for Platformatics POE-LN2 node. See node spec sheet for details: platformatics.com/product/poe-ln2

