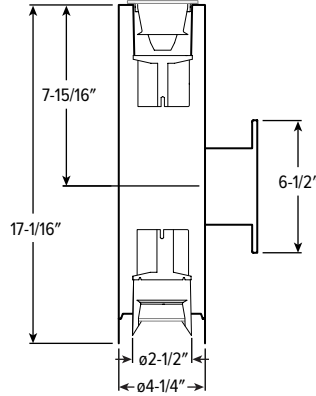


4CRDI PoE | tunable **WHITE** 4" Direct/Indirect Cylinder – Round



CATALOG #: _____

TYPE: _____

PROJECT: _____

FEATURES

- Create scalable, highly functioning smart buildings with Platformatics Power over Ethernet controls
- Support human-centric design with adaptive, individualized lighting using tunable white light
- Slim profile for unobtrusive illumination
- Smoothly accent walls and eliminate dark ceilings with direct and indirect lighting

SPECIFICATIONS

- **HOUSING** – Extruded aluminum with die-cast aluminum accent ring.
- **FINISH** – Polyester powder coat bonded to phosphate-free, multi-stage pretreated metal. All parts painted after fabrication to facilitate installation, increase efficiency, and inhibit corrosion.
- **OPEN REFLECTOR** – Low-iridescent anodized aluminum. Clear semi-specular finish standard.
- **LENSED TRIM** – Die-cast aluminum frame with micro-prismatic, acrylic lens.
- **ELECTRICAL** – High-performance Class 2 C.O.B. LED array. Modular quick-connect plug for easy field-connection of LED light assembly to node. Reported L70>55,000 hours. Reported L90>49,000 hours. Estimated L70 = 179,000 hours. Low-voltage DC fixture, to be fed by Class 2 power supply. Tunable White products use LEDs of multiple CCTs and may produce a perceptibly different shade of white from single-CCT products at the same CCT. All CCTs are within 3 MacAdam ellipses.
- **MOUNTING** – Wall mount. Indoor applications only. Max weight 5-1/2 lbs.
- **LISTINGS** –
 - cCSAus conforms to UL STD 1598 and UL STD 8750. Certified to CAN/CSA STD C22.2 No. 250.0. Suitable for damp locations.
- **WARRANTY** – 5-year limited warranty, see hew.com/warranty.

SYSTEM REQUIREMENTS

- PoE-ready luminaires are connected to building power systems through network integration and require other components for complete PoE lighting system
- For additional PoE info, see hew.com/platformatics
- Consult factory for design support



ORDERING EXAMPLE: 4CRDI - P12/835U/P12/835D - WHT - POE PR - OW/LM - CS - TRIM OPTIONS - WM
 HOUSING TRIM MOUNT.

HOUSING

SERIES	LUMEN PACKAGE (Example: P12/835U/P9/835D)	HOUSING FINISH ^[1]	CONTROL ^[2]
4CRDI	Specify lumen packages: U for Uplight and D for Downlight	ALUM Silver sparkle aluminum	POE PR Power over Ethernet, Platformatics-ready
	LUMENS ^[3]	BLK Textured black	
	CRI	BRZ Textured bronze	
	CCT	NKL Textured nickel	
	U OR D	SLV Textured silver	
	U Uplight	WHT Textured white	
	D Downlight		
	P5 500lm		
	P7 700lm		
	P9 900lm		
	P12 1,200lm		
	P15 1,500lm		
	P20 2,000lm		
	8 80 ^[4]		
	9 90 ^[5]		
	27 2700K		
	30 3000K		
	35 3500K		
	40 4000K		
	50 5000K		
	TW Tunable white (90 CRI, 2700K-5000K) ^[6]		

TRIM

TRIM TYPE AND DISTRIBUTION ^[7]
(Example Uplight/Downlight: OW/LM)

TRIM TYPE	DISTRIBUTION
Uplight	Uplight
O Open reflector with clear glass shield ^[12]	W 70° Wide
	M 40° Medium
	N 15° Narrow ^[13]
Downlight	S 8° Narrow spot ^[14]
O Open reflector	Downlight
L Flush lens	W 70° Wide
R Regressed lens	M 40° Medium
	N 15° Narrow
	S 8° Narrow spot ^[15]

REFLECTOR FINISH ^[8]

Downlight Open Trim Types
CS Clear semi-specular anodize
SG Satin-glow anodize
GD Gold anodize
CG Champagne gold anodize
PW Pewter anodize
SPC Clear specular anodize
RG Rose gold anodize
WH White texture powder coat
BL Black texture powder coat

TRIM OPTIONS

AD Diffuse acrylic lens ^[9]
PD Diffuse 1/8" polycarbonate lens ^[10]
TD Diffuse polycarbonate lens media at top of open reflector ^[11]

Downlight Lens Trim Types

CS Clear semi-specular powder coat
WH White texture powder coat
BL Black texture powder coat
BZ Bronze texture powder coat
NK Nickel texture powder coat
SV Silver texture powder coat
AL Silver sparkle aluminum

MOUNTING

MOUNTING TYPE ^[16]

WM Wall mount

NOTES

- See page 4 for HOUSING FINISH DETAILS.
- See page 4 for NODE CONNECTION DETAILS. For additional PoE info, see hew.com/platformatics.
- Lumen output based on O trim type, W distribution and CS finish, 3500K/80 CRI for single CCT and 4000K/90 CRI for TW. Actual lumens may vary +/-5%, see page 2 for FIXTURE PERFORMANCE DATA.
- Not available with Tunable White.
- Extended lead times may apply for single CCT. Consult factory for availability.
- Not available with S Distribution or P20 lumen package.
- Beam angle based on O Trim Type and CS Reflector Finish. Trim Type affects beam angle. See page 2 for FIXTURE PERFORMANCE DATA.
- Specified for Downlight Trim Type only. See page 4 for REFLECTOR FINISH DETAILS.
- Not available with O Trim Type. Downlight only. W distribution only.
- Not available with O Trim Type. Downlight only. W distribution only.
- O Trim Type only. Downlight only.
- CS Reflector Finish standard. Other colors available, consult factory.
- O Trim Type only.
- O Trim Type only. Not available with P20 lumen package, Tunable White, or 950 CRI/CCT.
- Not available with P20 lumen package, Tunable White, or 950 CRI/CCT.
- See page 4 for MOUNTING DETAILS.



4CRDI PoE | tunable WHITE

4" Direct/Indirect Cylinder – Round

FIXTURE PERFORMANCE DATA

STATIC WHITE

DIST.	WATTAGE	DOWNLIGHT						UPLIGHT			
		OPEN REFLECTOR		FLUSH LENS		REGRESSED LENS		WATTAGE	OPEN REFLECTOR		
		DELIVERED LUMENS	EFFICACY (lm/W)	DELIVERED LUMENS	EFFICACY (lm/W)	DELIVERED LUMENS	EFFICACY (lm/W)		DELIVERED LUMENS	EFFICACY (lm/W)	
P5	W	4.2	516	123	540	129	535	127	4.2	422	100
	M	4.2	499	119	532	127	509	121	4.2	408	97
	N	4.2	407	97	528	126	515	123	4.2	333	79
	S	5.4	452	84	583	108	562	104	5.4	370	69
P7	W	5.9	706	120	739	125	732	124	5.9	577	98
	M	5.9	682	116	728	123	697	118	5.9	558	95
	N	5.9	557	94	722	122	704	119	5.9	455	77
	S	7.6	587	77	813	107	784	103	7.6	480	63
P9	W	7.9	910	115	953	121	943	119	7.9	744	94
	M	7.9	879	111	938	119	898	114	7.9	719	91
	N	7.9	718	91	931	118	908	115	7.9	587	74
	S	11.1	807	73	1041	94	1004	90	11.1	660	59
P12	W	11.5	1267	110	1327	115	1313	114	11.5	1036	90
	M	11.5	1224	106	1307	114	1250	109	11.5	1001	87
	N	11.5	1000	87	1296	113	1264	110	11.5	818	71
	S	15.3	1000	65	1382	90	1332	87	15.3	1084	71
P15	W	14.7	1571	107	1645	112	1628	111	14.7	1285	87
	M	14.7	1518	103	1620	110	1550	105	14.7	1241	84
	N	14.7	1240	84	1607	109	1567	107	14.7	1014	69
	S	22.7	1325	58	1711	75	1650	73	22.7	1084	48
P20	W	20.6	2063	100	2160	105	2138	104	20.6	1687	82
	M	20.6	1993	97	2127	103	2035	99	20.6	1630	79
	N	20.6	1629	79	2110	102	2058	100	20.6	1332	65
	S	-	-	-	-	-	-	-	-	-	-

TUNABLE WHITE

DIST.	WATTAGE	DOWNLIGHT						UPLIGHT			
		OPEN REFLECTOR		FLUSH LENS		REGRESSED LENS		WATTAGE	OPEN REFLECTOR		
		DELIVERED LUMENS	EFFICACY (lm/W)	DELIVERED LUMENS	EFFICACY (lm/W)	DELIVERED LUMENS	EFFICACY (lm/W)		DELIVERED LUMENS	EFFICACY (lm/W)	
P5	W	7.3	570	78	597	82	591	81	7.3	466	64
	M	7.3	575	79	614	84	587	80	7.3	470	64
	N	7.3	440	60	571	78	557	76	7.3	360	49
	S	-	-	-	-	-	-	-	-	-	-
P7	W	10.1	761	75	797	79	789	78	10.1	622	62
	M	10.1	768	76	819	81	784	78	10.1	628	62
	N	10.1	588	58	762	75	743	74	10.1	481	48
	S	-	-	-	-	-	-	-	-	-	-
P9	W	14.6	1062	73	1112	76	1101	75	14.6	868	59
	M	14.6	1071	73	1144	78	1094	75	14.6	876	60
	N	14.6	821	56	1063	73	1037	71	14.6	671	46
	S	-	-	-	-	-	-	-	-	-	-
P12	W	19.3	1306	68	1368	71	1353	70	19.3	1068	55
	M	19.3	1318	68	1406	73	1346	70	19.3	1075	56
	N	19.3	1009	52	1308	68	1275	66	19.3	825	43
	S	-	-	-	-	-	-	-	-	-	-
P15	W	23.7	1462	62	1531	65	1515	64	23.7	1196	50
	M	23.7	1475	62	1574	66	1506	64	23.7	1206	51
	N	23.7	1130	48	-	-	-	-	23.7	924	39
	S	-	-	-	-	-	-	-	-	-	-
P20	W	-	-	-	-	-	-	-	-	-	-
	M	-	-	-	-	-	-	-	-	-	-
	N	-	-	-	-	-	-	-	-	-	-
	S	-	-	-	-	-	-	-	-	-	-

MULTIPLIER TABLES

CCT	LUMENS	
	STANDARD	TUNABLE WHITE
	2700K	0.92
3000K	0.98	-
3500K	1.00	-
4000K	1.01	-
5000K	1.02	-

CCT	LUMENS		
	STANDARD	TUNABLE WHITE	
	2700K	0.76	0.87
	3000K	0.79	0.96
	3500K	0.82	1.02
4000K	0.84	1.00	
5000K	0.88	1.02	

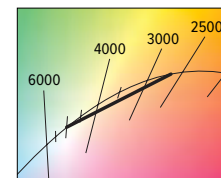
CATALOG NUMBER	CONVERSION FACTOR	
	CS	1.00
SG ⁽¹⁾	0.92	
GD	0.93	
CG	0.96	
PW	0.86	
SPC	1.02	
RG	0.88	
WH ⁽¹⁾	0.89	
BL ⁽¹⁾	0.47	

WH	1.00
CS ⁽¹⁾	0.98
BL ⁽¹⁾	0.79
BZ ⁽¹⁾	0.76
NK ⁽¹⁾	0.81
SV ⁽¹⁾	0.81
AL ⁽¹⁾	0.86

CATALOG NUMBER	CONVERSION FACTOR	
	AD	0.85
PD	0.85	
TD	0.67	

BEAM ANGLE

	TRIM TYPE		
	OPEN	FLUSH	REGRESSED
W	70°	50°	55°
M	40°	30°	30°
N	15°	20°	20°
S	8°	14°	14°



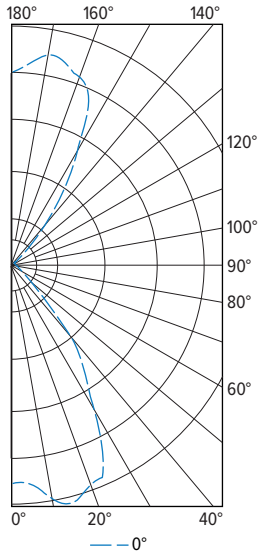
- ¹ Distribution will also be affected, consult factory.
- Photometrics tested in accordance with IESNA LM-79. Results shown are based on 25°C ambient temperature.
- Standard results based on 3500K/80 CRI and CS (O Trim Type) or WH (L and R Trim Types) Reflector Finish. Actual lumens may vary +/-5%
- Tunable white results based on 4000K/90CRI and CS (O Trim Type) or WH (L and R Trim Types) Reflector Finish. Actual lumens may vary +/-5%
- Wattage is for downlight or uplight components. Add wattages together for selected lumen packages to find total fixture wattage.
- Wattage and efficacy data shown do not account for node losses.
- Use multiplier tables to calculate additional options.



4CRDI PoE | tunable WHITE 4" Direct/Indirect Cylinder – Round

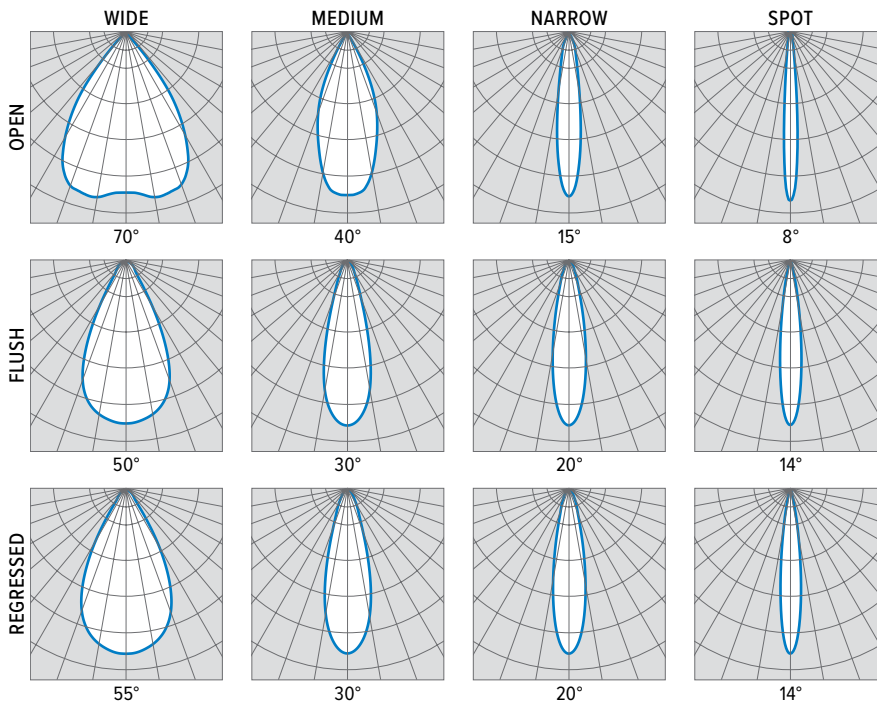
PHOTOMETRY

4CRDI-P12/835U/P12/835D-WHT-POE PR-OW/OW-CS-WM Total Luminaire Output: 2306 lumens; 23 Watts | Efficacy: 100 lm/W | 80 CRI; 3500K CCT



CANDLEPOWER DISTRIBUTION	VERTICAL ANGLE	HORIZONTAL ANGLE	ZONAL LUMENS
		0°	
	0	1028	
	5	1039	100
	15	1066	301
	25	950	428
	35	556	334
	45	77	79
	55	18	17
	65	6	6
	75	1	1
	85	0	0
	90	2	
	95	3	3
	105	6	6
	115	13	13
	125	31	28
	135	78	71
	145	376	231
	155	787	345
	165	898	253
	175	882	86
	180	840	

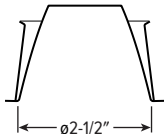
LUMEN SUMMARY	ZONE	LUMENS	% FIXTURE
	0 - 30	830	36
	0 - 40	1164	51
	0 - 60	1261	55
	0 - 90	1269	55
	90 - 120	23	1
	90 - 150	353	15
	90 - 180	1037	45
	0 - 180	2306	100



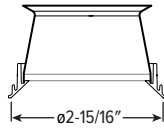
TRIM TYPE DETAILS

DOWNLIGHT

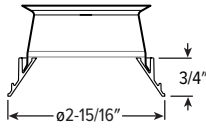
OPEN



FLUSH

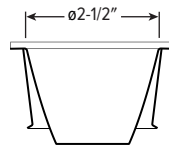


REGRESSED



UPLIGHT

OPEN

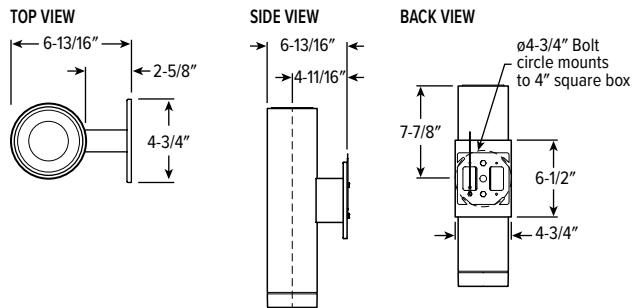


4CRDI PoE | tunable WHITE

4" Direct/Indirect Cylinder – Round

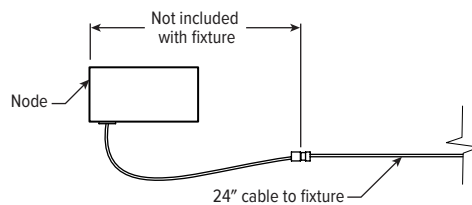
MOUNTING DETAILS

Mounts to 4" square J-box

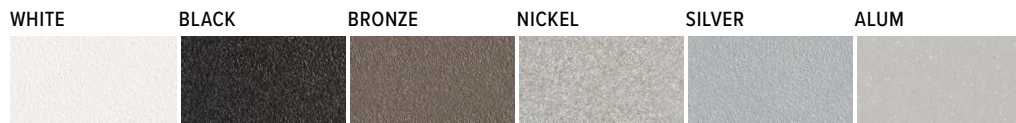


NODE CONNECTION DETAILS

Includes 24" cable with 4-position mating connector for Platformatics POE-LN2 node. See node spec sheet for details: platformatics.com/product/poe-ln2



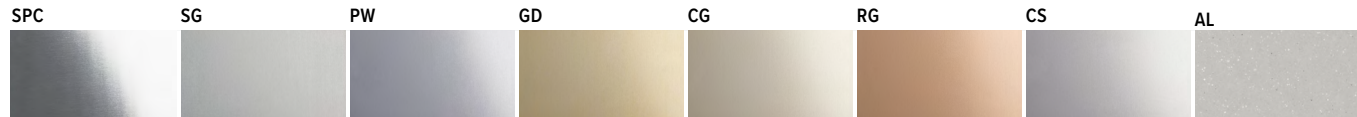
HOUSING FINISH DETAILS



For custom color, please specify RAL code or a manufacturer code with description. All custom colors other than RAL require two sample swatches, minimum 1" square.

REFLECTOR FINISH DETAILS

SMOOTH FINISH



TEXTURED FINISH

