



# 6AR dim to WARM

## 6" Adjustable Downlight – Round

### FIXTURE PERFORMANCE DATA

#### OPEN REFLECTOR TRIM TYPE

	DISTRIBUTION	DELIVERED LUMENS	CCT AT 100% (FULL OUTPUT)	CCT AT 1% (FULL DIM)	WATTAGE	EFFICACY (lm/W)
L8	W	768	3000K	1800K	14.0	54.9
	M	800			14.0	57.1
	N	-			-	-
L14	W	1347			23.4	57.6
	M	1402			23.4	60.0
	N	-			-	-
L23	W	2206			37.7	58.6
	M	2296			37.7	60.9
	N	-			-	-

#### FLUSH LENS TRIM TYPE

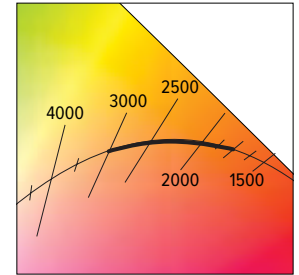
	DISTRIBUTION	DELIVERED LUMENS	CCT AT 100% (FULL OUTPUT)	CCT AT 1% (FULL DIM)	WATTAGE	EFFICACY (lm/W)
L8	W	694	3000K	1800K	14.0	49.6
	M	744			14.0	53.1
	N	738			14.0	52.7
L14	W	1216			23.4	52.0
	M	1304			23.4	55.8
	N	1294			23.4	55.4
L23	W	1991			37.7	52.9
	M	2135			37.7	56.7
	N	2119			37.7	56.3

#### ANGLED LENS TRIM TYPE

	DISTRIBUTION	DELIVERED LUMENS	CCT AT 100% (FULL OUTPUT)	CCT AT 1% (FULL DIM)	WATTAGE	EFFICACY (lm/W)
L8	W	578	3000K	1800K	14.0	41.3
	M	689			14.0	49.2
	N	703			14.0	50.2
L14	W	1013			23.4	43.3
	M	1208			23.4	51.7
	N	1233			23.4	52.8
L23	W	1659			37.7	44.0
	M	1978			37.7	52.5
	N	2019			37.7	53.6

#### MULTIPLIER TABLES

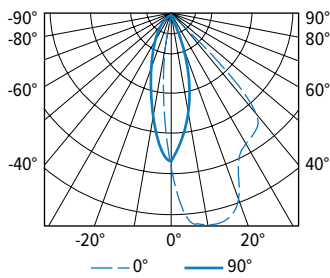
OPEN REFLECTOR FINISH		TRIM	
CATALOG NUMBER	CONVERSION FACTOR	CATALOG NUMBER	CONVERSION FACTOR
CS	1.00	AD <sup>1</sup>	0.85
WH	0.89	PD <sup>1</sup>	0.85
BL	0.79		



- Distribution will also be affected, consult factory.
- Photometrics tested in accordance with IESNA LM-79. Results shown are based on 25°C ambient temperature.
- Wattage shown is based on 120V input.
- Results based on 3000K, 95 CRI, full output, 0° tilt, actual lumens may vary +/-5%
- Use multiplier tables to calculate additional options.

### PHOTOMETRY

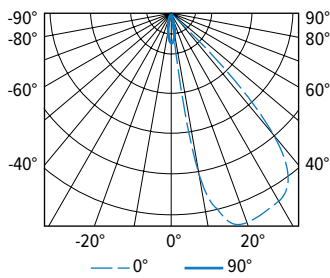
6AR-L23/9DW-DIM-UNV-OW-OF-CS (25° tilt) Total Luminaire Output: 2192 lumens; 37.7 Watts | Efficacy: 58.1 lm/W | 95.0 CRI; 3000K CCT



CANDLEPOWER DISTRIBUTION	VERTICAL ANGLE	HORIZONTAL ANGLE					ZONAL LUMENS
		0°	45°	90°	135°	180°	
	0	2897	2897	2897	2897	2897	
	5	4047	3567	2566	1787	1442	241
	15	4237	3163	1469	492	345	522
	25	3246	2828	602	136	102	607
	35	2882	2122	121	29	22	559
	45	1885	236	12	7	7	251
	55	22	2	0	0	2	13
	65	0	0	0	0	0	0
	75	0	0	0	0	0	0
	85	0	0	0	0	0	0
	90	0	0	0	0	0	0

LUMEN SUMMARY	ZONE	LUMENS	% FIXTURE
	0 - 40	1928	88
	0 - 60	2192	100
	0 - 90	2192	100
	0 - 180	2192	100

6AR-L23/9DW-DIM-UNV-OM-OF-CS (25° tilt) Total Luminaire Output: 2170 lumens; 37.7 Watts | Efficacy: 57.6 lm/W | 95.0 CRI; 3000K CCT



CANDLEPOWER DISTRIBUTION	VERTICAL ANGLE	HORIZONTAL ANGLE					ZONAL LUMENS
		0°	45°	90°	135°	180°	
	0	974	974	974	974	974	
	5	2363	1621	824	485	395	116
	15	6873	2660	411	175	148	476
	25	6972	1970	172	73	59	726
	35	6395	719	66	14	9	195
	45	1360	161	6	0	0	12
	55	40	0	0	0	0	0
	65	0	0	0	0	0	0
	75	0	0	0	0	0	0
	85	0	0	0	0	0	0
	90	0	0	0	0	0	0

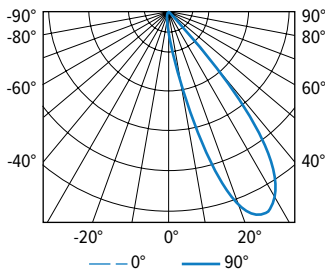
LUMEN SUMMARY	ZONE	LUMENS	% FIXTURE
	0 - 40	1963	91
	0 - 60	2170	100
	0 - 90	2170	100
	0 - 180	2170	100



# 6AR dim to WARM

## 6" Adjustable Downlight – Round

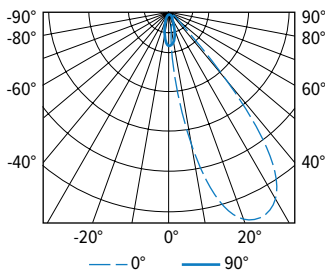
6AR-L23/9DW-DIM-UNV-AN-OF-CS (25° tilt) Total Luminaire Output: 2113 lumens; 37.7 Watts | Efficacy: 56.0 lm/W | 95.0 CRI; 3000K CCT



VERTICAL ANGLE	HORIZONTAL ANGLE					ZONAL LUMENS
	0°	45°	90°	135°	180°	
0	658	658	658	658	658	
5	1640	1201	573	295	247	80
15	6090	2021	280	101	88	392
25	9549	1647	117	57	52	734
35	6734	667	57	37	34	609
45	1969	162	30	18	20	238
55	288	30	12	10	12	51
65	24	6	2	1	3	7
75	3	0	0	0	0	1
85	0	0	0	0	0	0
90	0	0	0	0	0	0

LUMEN SUMMARY	ZONE	LUMENS	% FIXTURE
	0 - 40	1815	86
	0 - 60	2105	99
	0 - 90	2113	100
	0 - 180	2113	100

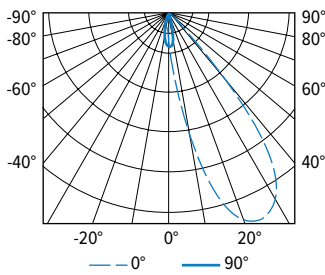
6AR-L23/9DW-DIM-UNV-LM-OF-WH (25° tilt) Total Luminaire Output: 2086 lumens; 37.7 Watts | Efficacy: 55.3 lm/W | 95.0 CRI; 3000K CCT



VERTICAL ANGLE	HORIZONTAL ANGLE					ZONAL LUMENS
	0°	45°	90°	135°	180°	
0	935	935	935	935	935	
5	2440	1761	872	515	393	114
15	5538	2736	486	193	159	437
25	6388	2160	227	109	100	661
35	4580	941	108	73	79	534
45	1324	247	54	62	73	219
55	271	64	36	50	62	75
65	59	24	21	32	42	33
75	20	10	8	13	21	13
85	0	0	0	0	0	1
90	0	0	0	0	0	0

LUMEN SUMMARY	ZONE	LUMENS	% FIXTURE
	0 - 40	1745	84
	0 - 60	2039	98
	0 - 90	2086	100
	0 - 180	2086	100

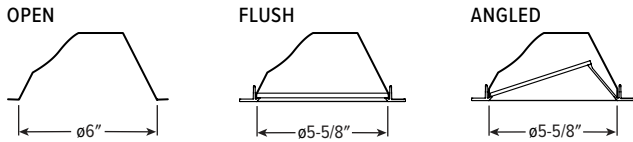
6AR-L23/9DW-DIM-UNV-AM-OF-WH (25° tilt) Total Luminaire Output: 1980 lumens; 37.7 Watts | Efficacy: 52.5 lm/W | 95.0 CRI; 3000K CCT



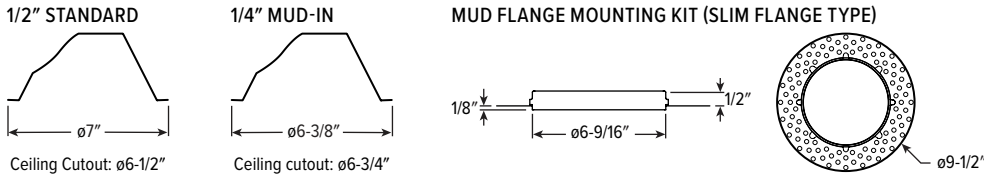
VERTICAL ANGLE	HORIZONTAL ANGLE					ZONAL LUMENS
	0°	45°	90°	135°	180°	
0	913	913	913	913	913	
5	2042	1540	824	490	395	104
15	5265	2514	451	170	129	408
25	6313	2021	195	77	62	640
35	4998	851	82	40	40	547
45	1510	220	37	28	33	225
55	149	31	19	20	23	43
65	16	8	8	11	13	11
75	6	1	0	1	3	2
85	0	0	0	0	0	0
90	0	0	0	0	0	0

LUMEN SUMMARY	ZONE	LUMENS	% FIXTURE
	0 - 40	1700	86
	0 - 60	1968	99
	0 - 90	1980	100
	0 - 180	1980	100

### TRIM TYPE DETAILS



### FLANGE TYPE DETAILS



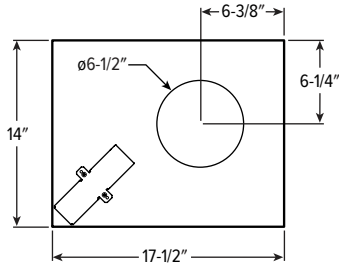
### REFLECTOR FINISH DETAILS



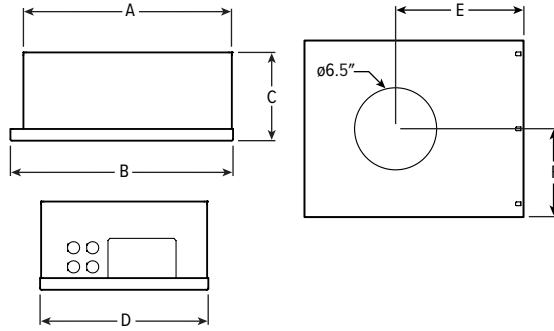
# 6AR dim to **WARM** 6" Adjustable Downlight – Round

## MOUNTING TYPE DETAILS

### NEW CONSTRUCTION

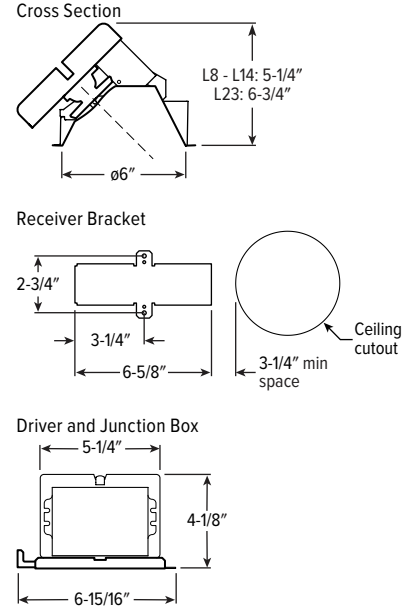


### IC-RATED

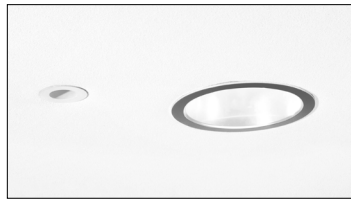


LUMENS	LENGTH					
	A	B	C	D	E	F
L8	15-3/16"	16"	6-3/8"	12-1/8"	9-1/2"	6-1/16"
L14	16-5/8"	17-1/2"	7-7/8"	14"	10-1/4"	7"

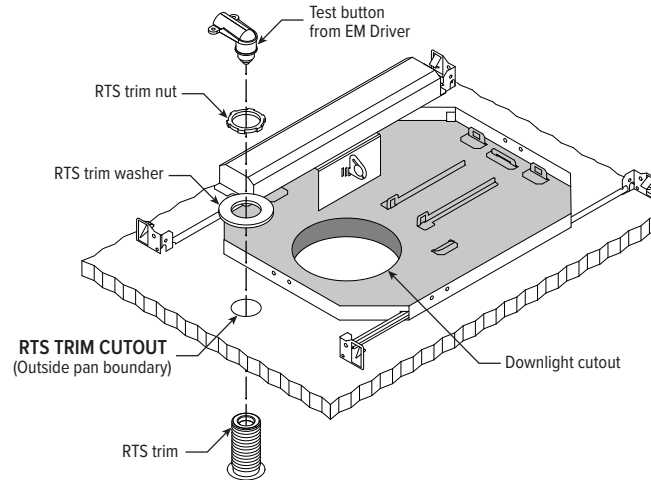
### REMODEL



## EM/10W/RTS DETAILS



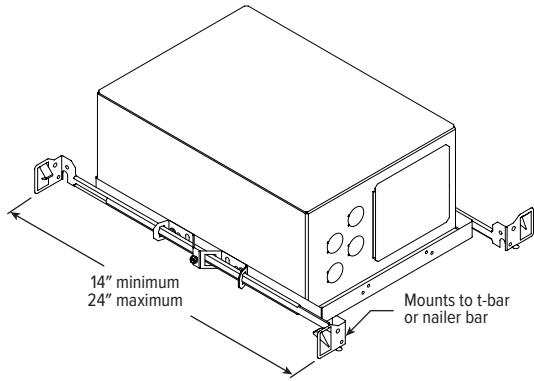
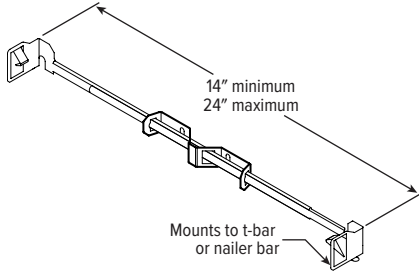
Shown Installed



# 6AR dim to WARM 6" Adjustable Downlight – Round

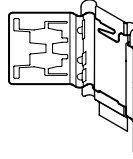
## MOUNTING HARDWARE DETAILS

**F1** Factory-installed 2-position fixed pan bracket, universal bar hanger included, ships uninstalled

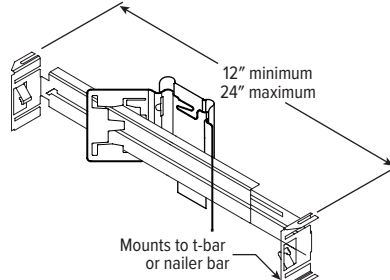


F1 with I Mounting Type

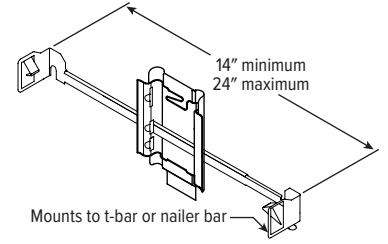
**BA1** Adjustable butterfly pan bracket, bar hanger not included (N Mounting Type only)



**BA2** Adjustable butterfly pan bracket, heavy-duty universal bar hanger included (N Mounting Type only)



**CA1** Adjustable caterpillar pan bracket, universal bar hanger included (N Mounting Type only)



**CA2** Adjustable caterpillar pan bracket, t-bar hanger included (N Mounting Type only)

