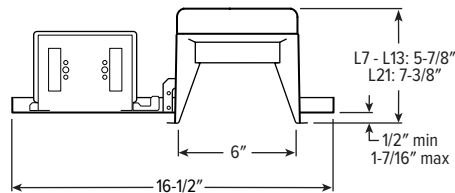


6DS dim to WARM 6" Downlight – Square



CATALOG #: _____

TYPE: _____

PROJECT: _____

NEW CONSTRUCTION AND REMODEL

FEATURES

- Dim to warm from 1800K to 3000K CCT, minimum 95 CRI
- Beam angles ranging from 25° narrow to 65° wide for tailored performance
- Square shape accentuates architectural styles
- Open reflector with 7 finishes to complement any interior style
- Die cast trim choices include flush, regressed or angled lens
- Spring clip retention system eliminates trim sag
- Contemporary design provides glare-free illumination for a soft ceiling appearance
- Fully room-side accessible

SPECIFICATIONS

- **HOUSING** – Die-cast aluminum trim housing with forged aluminum heat sink. Galvanized steel splice compartment with driver mounting plate/enclosure. Swing-out mounting arms field adjust for ceiling thickness from 1/2" – 2-1/4".
- **OPEN REFLECTOR** – Low-iridescent anodized aluminum with top diffuser.
- **LENSED TRIM** – Die-cast aluminum frame with micro-prismatic, tempered glass lens.
- **ELECTRICAL** – High-performance Class 2 C.O.B. LED array. Modular quick-connect plug for easy field-connection of LED light assembly to driver. Reported L70>55,000 hours. Reported L90>55,000 hours. Estimated L70 = 200,000 hours.
- **MOUNTING** – Recessed. 20 ga. galvanized steel mounting pan for new construction or IC-rated enclosure. Remodel kit option includes receiver bracket hardware.
- **LISTINGS** –
 - cCSAus conforms to UL STD 1598; Certified to CAN/CSA STD C22.2 No. 250.0 for damp locations. LED light assembly conforms to UL 2108 for remote installation.
 - Suitable for wet location under covered ceiling when specified with WET/CC option.
 - IC-rated for direct contact with insulation when specified with I Mounting Type.
 - City of Chicago Environmental Air approved when specified with CP option.
 - Complies with ASTM-E283 when specified with ATH option.
 - RoHS compliant.
- **WARRANTY** – 5-year limited warranty, see hew.com/warranty.

ORDERING EXAMPLE: 6DS - L21/9DW - OPTIONS - DIM - UNV - LW - OF - WH - TRIM OPTIONS - N - F1

HOUSING

SERIES	LUMENS ^[1]	COLOR	OPTIONS	CONTROL	VOLTAGE
6DS	L7 700lm	9DW Dim to warm (95 CRI, 1800K – 3000K)	EM/7W 7-watt emergency battery ^[2]	DIM Dimming driver (0-10V signal to control dimming and CCT)	UNV 120-277V 347 347V ^[7]
	L13 1,300lm		EM/10W 10-watt emergency battery ^[3]		
	L21 2,100lm		EM/10W/RTS 10-watt emergency battery with regressed test switch ^[4]	LUT Lutron Ecosystem enabled	
			ATH Airtight construction		
			CP Chicago plenum (CCEA) ^[5]		
			F Fuse kit		
			SDT Stepdown transformer ^[6]		

TRIM^[8]

TRIM TYPE	DISTRIBUTION ^[9]	FLANGE TYPE	REFLECTOR FINISH	TRIM OPTIONS
O Open reflector	W Wide	OF 1/2" standard flange	Open trim types	MWT Textured white trim flange ^[13]
L Flush lens	55° Open	SF 1/4" mud-in flange ^[12]	CS Clear semi-specular anodize	IP IP65 rated trim ^[14]
R Regressed lens	65° Flush		SG Satin-glow anodize	AD Diffuse acrylic lens ^[15]
A Angled lens ^[10]	65° Regressed		GD Gold anodize	PD Diffuse 1/8" polycarbonate lens ^[16]
	M Medium		CG Champagne gold anodize	WET/CC Wet location, covered ceiling listed ^[17]
	50° Open		PW Pewter anodize	AM Anti-microbial ^[18]
	35° Flush		SPC Clear specular anodize	
	35° Regressed		RG Rose gold anodize	
	N Narrow			
	45° Open		Lens trim types	
	25° Flush		CS Clear semi-specular powder coat	
	25° Regressed		WH White texture powder coat	
WW Wall wash ^[11]			BL Black texture powder coat	
			MB Black texture splay with white flange ^[19]	

MOUNTING

MOUNTING TYPE^[20]

- N Open pan for new construction
- I IC-rated enclosure for new construction^[22]
- R Remodel kit^[23]

MOUNTING HARDWARE^[21]

- F1 Integral 2-position fixed pan bracket, universal bar hanger included^[24]
- BA1 Adjustable butterfly pan bracket, bar hanger not included^[25]
- CA1 Adjustable caterpillar pan bracket, universal bar hanger included^[26]

NOTES

- Lumen output based on full light output, L trim type, W distribution and WH finish, 3000K/95CRI. Actual lumens may vary +/-5%. See page 2 for FIXTURE PERFORMANCE DATA.
- N and R Mounting Types only.
- N and R Mounting Types only.
- Not available with WET/CC, ATH or IP options. N and R Mounting Types only. See page 5 for EM/10W/RTS DETAILS.
- I Mounting Type required.
- May be required for 347V, see product builder at hew.com/product-builder.
- Not available with EM batteries.
- Trim ships separately.
- Beam angle based on CS or WH reflector finish.
- Available with WW Distribution only.
- O and A Trim Types only.
- For use with mud-in plaster construction only, supplied with mud flange installation kit. See page 4 for FLANGE TYPE DETAILS. Not available with ATH or IP options.
- Not available with WH Reflector Finish or L Trim Type.
- L and R trim types only.
- Not available with O trim type. W distribution only.
- Not available with O trim type. W distribution only.
- Not available with O Trim Type.
- WH and BL Reflector Finishes only.
- R Trim Type only. Not available with MWT.
- Mounting hardware required (N and I only), ordered separately, see MOUNTING HARDWARE ordering info. See page 4 for MOUNTING TYPE DETAILS.
- Specify for N and I Mounting Types only. Additional mounting hardware options available. See page 5 for MOUNTING HARDWARE DETAILS.
- L7 and L13 lumen packages only.
- Also used in new construction sheetrock ceilings.
- N and I Mounting Types only. I Mounting requires external brackets.
- N Mounting Type only.
- N Mounting Type only.



6DS dim to WARM

6" Downlight – Square

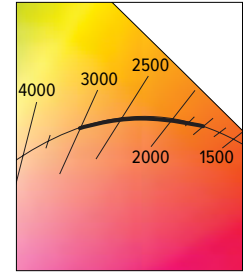
FIXTURE PERFORMANCE DATA

OPEN REFLECTOR TRIM TYPE

	DIST.	DELIVERED LUMENS	CCT AT 100% (FULL OUTPUT)	CCT AT 1% (FULL DIM)	WATTAGE	EFFICACY (lm/W)
L7	W	715	3000K	1800K	14.0	51.1
	M	581			14.0	41.5
	N	573			14.0	41.0
L13	W	1253			23.4	53.6
	M	1019			23.4	43.6
	N	1005			23.4	43.0
L21	W	2052			37.7	54.5
	M	1668			37.7	44.3
	N	1648			37.7	43.7

FLUSH LENS TRIM TYPE

	DIST.	DELIVERED LUMENS	CCT AT 100% (FULL OUTPUT)	CCT AT 1% (FULL DIM)	WATTAGE	EFFICACY (lm/W)
L7	W	761	3000K	1800K	14.0	54.4
	M	779			14.0	55.7
	N	759			14.0	54.2
L13	W	1334			23.4	57.1
	M	1366			23.4	58.5
	N	1331			23.4	56.9
L21	W	2194			37.7	58.2
	M	2234			37.7	59.3
	N	2181			37.7	57.8



REGRESSED LENS TRIM TYPE

	DIST.	DELIVERED LUMENS	CCT AT 100% (FULL OUTPUT)	CCT AT 1% (FULL DIM)	WATTAGE	EFFICACY (lm/W)
L7	W	731	3000K	1800K	14.0	52.2
	M	759			14.0	54.2
	N	755			14.0	53.9
L13	W	1282			23.4	54.8
	M	1330			23.4	56.9
	N	1324			23.4	56.6
L21	W	2099			37.7	55.7
	M	2171			37.7	57.6
	N	2168			37.7	57.5

MULTIPLIER TABLES

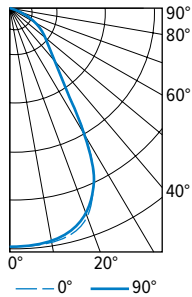
OPEN REFLECTOR FINISH		
CATALOG NUMBER	REFLECTOR FINISH	CONVERSION FACTOR
CS	Clear semi-specular	1.00
SG	Satin-glow	0.92
GD	Gold	0.93
CG	Champagne Gold	0.96
PW	Pewter	0.86
SPC	Specular	1.02
RG	Rose Gold	0.88
WH	White, textured	0.89
BL	Black, textured	0.79

TRIM	
CATALOG NUMBER	CONVERSION FACTOR
AD	0.85
PD	0.85

- Photometrics tested in accordance with IESNA LM-79. Results shown are based on 25°C ambient temperature.
- Wattage shown is based on 120V input.
- Results based on 3000K, 95 CRI, full output, actual lumens may vary +/-5%
- Use multiplier tables to calculate additional options.

PHOTOMETRY

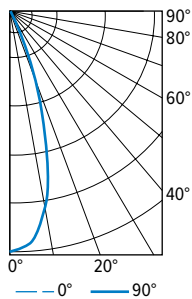
6DS-L21/9DW-DIM-UNV-LW-OF-WH Total Luminaire Output: 2194 lumens; 37.7 Watts | Efficacy: 58.2 lm/W | 95.0 CRI; 3000K CCT



VERTICAL ANGLE	HORIZONTAL ANGLE			ZONAL LUMENS
	0°	45°	90°	
0	1482	1482	1482	
5	1486	1478	1481	141
15	1452	1433	1433	405
25	1209	1334	1214	566
35	553	892	556	445
45	336	388	328	283
55	212	218	210	192
65	109	109	106	109
75	42	41	40	45
85	3	2	4	7
90	0	0	0	

LUMEN SUMMARY	ZONE	LUMENS	% FIXTURE
	0 - 30	1112	51
	0 - 40	1557	71
	0 - 60	2032	93
	0 - 90	2194	100
	0 - 180	2194	100

6DS-L21/9DW-DIM-UNV-LM-OF-WH Total Luminaire Output: 2234 lumens; 37.7 Watts | Efficacy: 59.3 lm/W | 95.0 CRI; 3000K CCT



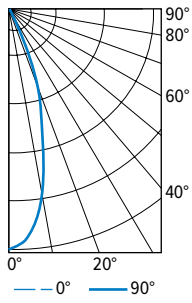
VERTICAL ANGLE	HORIZONTAL ANGLE			ZONAL LUMENS
	0°	45°	90°	
0	6113	6113	6113	
5	5820	5831	5869	529
15	3504	3466	3445	943
25	985	975	843	480
35	223	252	180	156
45	57	81	64	60
55	37	37	35	34
65	22	20	21	21
75	10	7	8	9
85	0	0	0	1
90	0	0	0	

LUMEN SUMMARY	ZONE	LUMENS	% FIXTURE
	0 - 30	1951	87
	0 - 40	2108	94
	0 - 60	2202	99
	0 - 90	2234	100
	0 - 180	2234	100



6DS dim to WARM 6" Downlight – Square

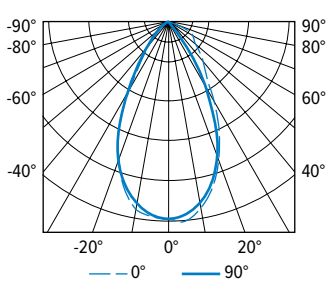
6DS-L21/9DW-DIM-UNV-LN-OF-WH Total Luminaire Output: 2181 lumens; 37.7 Watts | Efficacy: 57.8 lm/W | 95.0 CRI; 3000K CCT



VERTICAL ANGLE	HORIZONTAL ANGLE			ZONAL LUMENS
	0°	45°	90°	
0	8635	8635	8635	
5	7707	7821	7701	674
15	3316	3251	3092	913
25	731	737	617	366
35	173	176	135	113
45	63	73	60	53
55	36	38	35	33
65	21	21	19	20
75	7	8	7	9
85	1	0	0	1
90	0	0	0	

LUMEN SUMMARY	ZONE	LUMENS	% FIXTURE
	0 - 30	1953	90
	0 - 40	2066	95
	0 - 60	2152	99
	0 - 90	2181	100
	0 - 180	2181	100

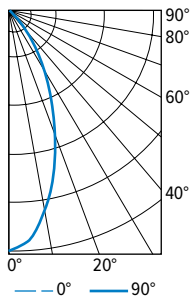
6DS-L21/9DW-DIM-UNV-OWW-OF-CS Total Luminaire Output: 1967 lumens; 37.7 Watts | Efficacy: 52.2 lm/W | 95.0 CRI; 3000K CCT



VERTICAL ANGLE	HORIZONTAL ANGLE					ZONAL LUMENS
	0°	45°	90°	135°	180°	
0	2057	2057	2057	2057	2057	
5	2082	2060	2020	2015	2035	192
15	1799	1785	1752	1789	1795	495
25	1269	1286	1201	1282	1138	565
35	724	696	468	626	473	380
45	502	293	152	203	192	195
55	343	80	19	31	34	83
65	277	15	0	0	2	42
75	109	1	0	0	0	15
85	0	0	0	0	0	1
90	0	0	0	0	0	

LUMEN SUMMARY	ZONE	LUMENS	% FIXTURE
	0 - 30	1252	64
	0 - 40	1631	83
	0 - 60	1909	97
	0 - 90	1967	100
	0 - 180	1967	100

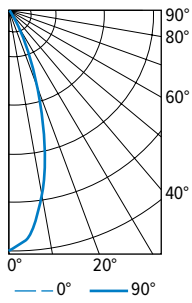
6DS-L21/9DW-DIM-UNV-OM-OF-CS Total Luminaire Output: 1668 lumens; 37.7 Watts | Efficacy: 44.3 lm/W | 95.0 CRI; 3000K CCT



VERTICAL ANGLE	HORIZONTAL ANGLE			ZONAL LUMENS
	0°	45°	90°	
0	2563	2563	2563	
5	2449	2447	2457	225
15	1799	1787	1803	500
25	1070	1054	1064	488
35	461	543	452	312
45	97	224	97	125
55	6	20	6	17
65	0	0	0	1
75	0	0	0	0
85	0	0	0	0
90	0	0	0	

LUMEN SUMMARY	ZONE	LUMENS	% FIXTURE
	0 - 30	1214	73
	0 - 40	1526	92
	0 - 60	1667	100
	0 - 90	1668	100
	0 - 180	1668	100

6DS-L21/9DW-DIM-UNV-RM-OF-WH Total Luminaire Output: 2171 lumens; 37.7 Watts | Efficacy: 57.6 lm/W | 95.0 CRI; 3000K CCT



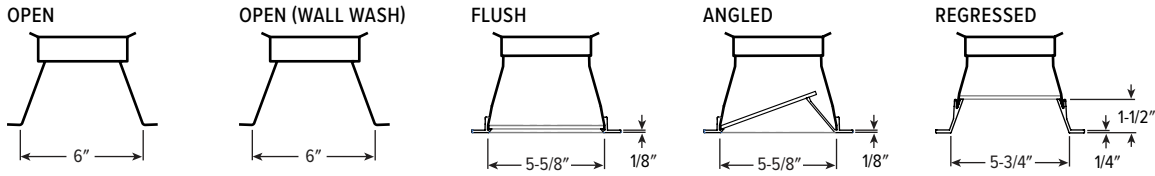
VERTICAL ANGLE	HORIZONTAL ANGLE			ZONAL LUMENS
	0°	45°	90°	
0	5543	5543	5543	
5	5255	5232	5276	474
15	3212	3171	3158	869
25	1075	1020	949	504
35	294	314	241	195
45	83	98	68	72
55	36	39	34	34
65	18	15	15	17
75	4	5	5	6
85	0	0	0	1
90	0	0	0	

LUMEN SUMMARY	ZONE	LUMENS	% FIXTURE
	0 - 30	1846	85
	0 - 40	2041	94
	0 - 60	2147	99
	0 - 90	2171	100
	0 - 180	2171	100

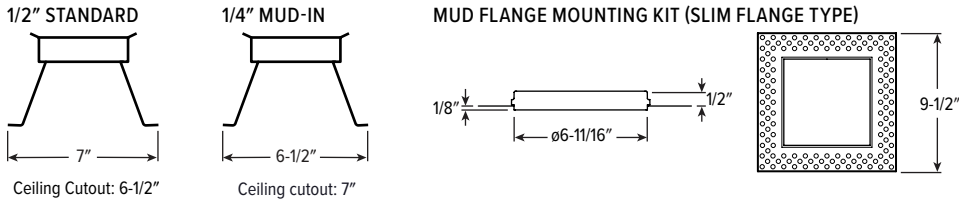


6DS dim to **WARM** 6" Downlight – Square

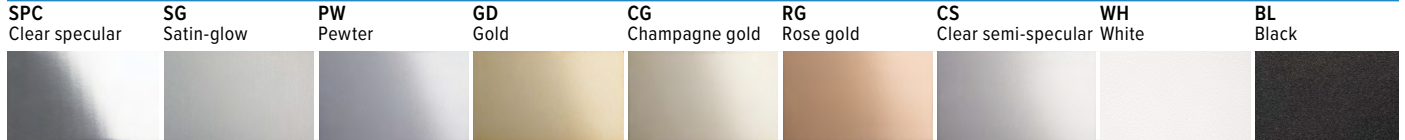
TRIM TYPE DETAILS



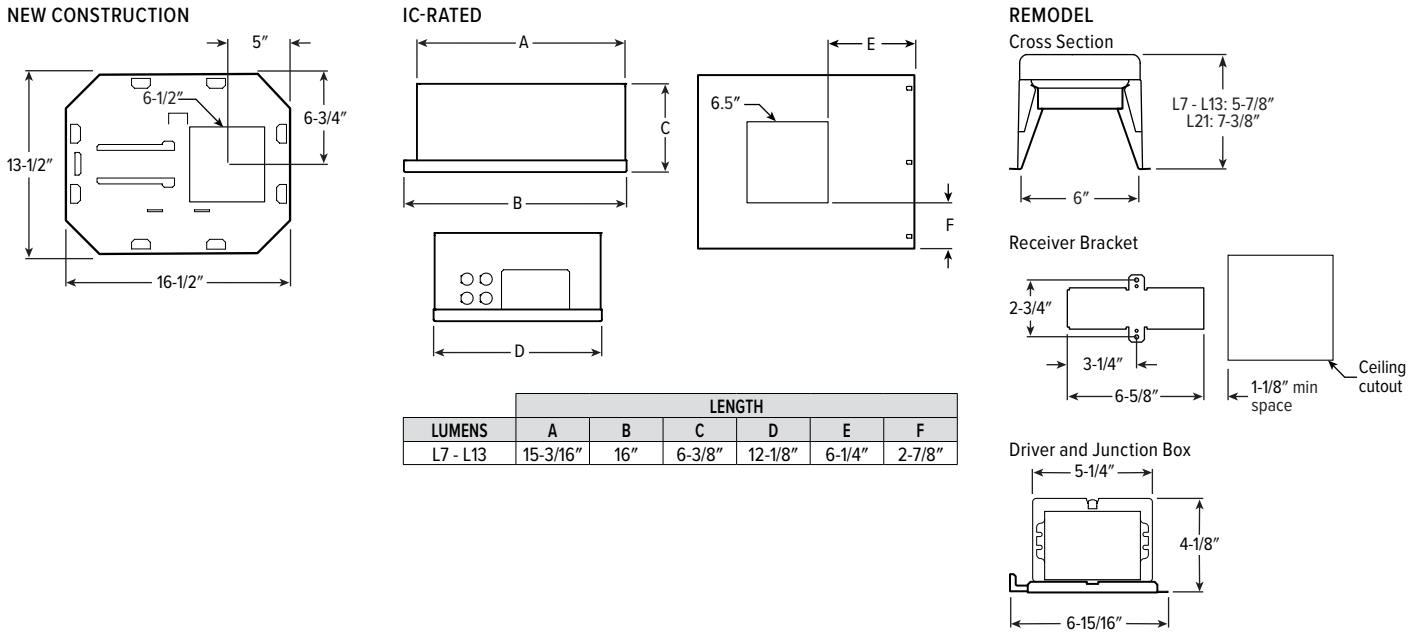
FLANGE TYPE DETAILS



REFLECTOR FINISH DETAILS

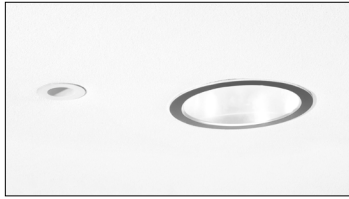


MOUNTING TYPE DETAILS

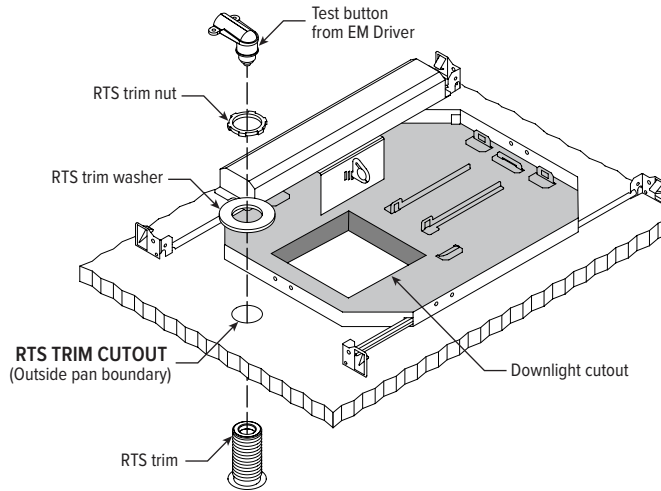


6DS dim to **WARM** 6" Downlight – Square

EM/10W/RTS DETAILS

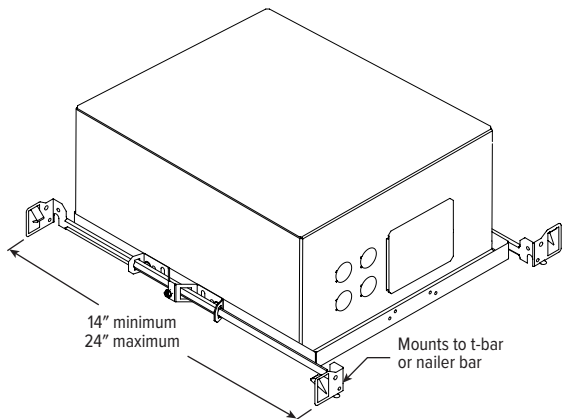
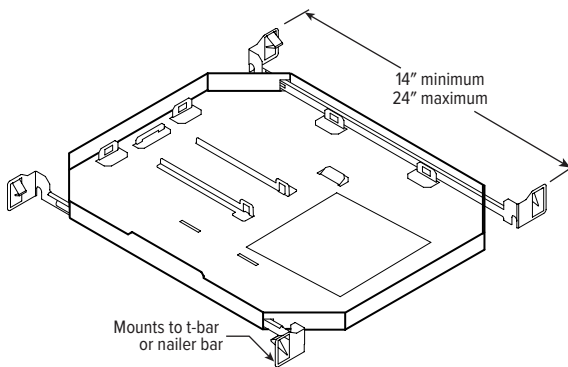


Shown Installed



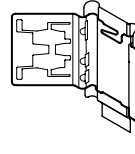
MOUNTING HARDWARE DETAILS

F1 Integral 2-position fixed pan bracket, universal bar hanger included

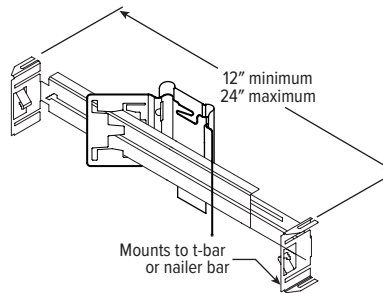


F1 with I Mounting Type

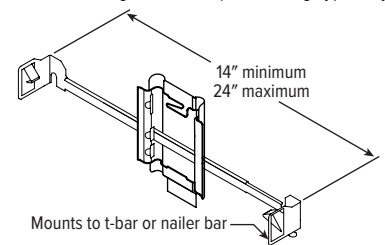
BA1 Adjustable butterfly pan bracket, bar hanger not included (N Mounting Type only)



BA2 Adjustable butterfly pan bracket, heavy-duty universal bar hanger included (N Mounting Type only)



CA1 Adjustable caterpillar pan bracket, universal bar hanger included (N Mounting Type only)



CA2 Adjustable caterpillar pan bracket, t-bar hanger included (N Mounting Type only)

