

CATALOG #: \_\_\_\_\_

TYPE: \_\_\_\_\_

PROJECT: \_\_\_\_\_



**FEATURES**

- Easily change the color temperature and lumen output on-site with built in switches, providing ultimate flexibility
- Simple and quick installation in new construction or remodel applications
- Rated for direct contact with insulation
- Durable spring clips secure fixture
- Maximize energy savings with efficacies up to 117 lm/W
- Low UGR meets LEED and WELL requirements
- Available on QuickShip
- Made Right Here<sup>®</sup> in the USA

**SPECIFICATIONS**

- HEAT SINK – Aluminum.
- TRIM – Low-iridescent anodized aluminum with 1/2" standard flange and diffuse polycarbonate lens at top of open reflector. Semi-specular finish standard.
- ELECTRICAL – High-quality mid-power LED boards. L70 >70,000 hours. 25°C max ambient operating temperature.
- MOUNTING – Compatible with 6"- 6-3/8" ceiling cutout. Heavy-duty mounting springs accommodate ceiling thicknesses up to 2-1/2". New construction mounting pan accessory available. Access above ceiling required to change color and lumens after installation. For remodel installations, the minimum plenum height from the top of 5/8" sheetrock is 5-1/4". Weight 2.25 lbs.
- LISTINGS –
  - cETLus listed as LED luminaire suitable for dry or damp locations.
  - Conforms to UL STD.1598. Certified to CSA STD.C22.2 No.250.0.
  - IC-rated for direct contact with insulation.
  - Complies with the Buy American Act and other federal regulations. Request certification at [hew.com/baa](http://hew.com/baa).
- WARRANTY – 5-year limited warranty, see [hew.com/warranty](http://hew.com/warranty).

**ORDERING EXAMPLE: 6FDR - LS/8CS - CS - OPTIONS - DIM - UNV**

**ORDERING INFO**

SERIES	LUMENS <sup>[1]</sup>	CRI	CCT	REFLECTOR FINISH
6FDR	LS Selectable lumens 1,100/1,600/2,000	8	80	CS Clear semi-specular anodize WH White texture powder coat

OPTIONS <sup>[2]</sup>	DRIVER	VOLTAGE
EM/10W	10-watt emergency battery	UNV 120-277V
EM/10W/RTS	10-watt emergency battery with regressed test switch	DIM Dim-to-off driver <sup>[4]</sup>
4FDR/6FDR EM/10W KIT	10-watt emergency battery kit <sup>[3]</sup>	

**MOUNTING HARDWARE ACCESSORIES (ORDERED SEPARATELY) <sup>[5]</sup>**

**6FDR-N-F1** New construction mounting pan with integral 2-position fixed bracket, universal bar hangers.

**QUICKSHIP**

- 6FDR-LS/8CS-CS-QS-DIM-UNV
- 6FDR-N-F1-QS
- 4FDR/6FDR EM/10W KIT-QS

**NOTES**

- <sup>1</sup> Lumens based on CS Reflector Finish, 3500K CCT. Actual performance may vary +/-5%. See page 2 for FIXTURE PERFORMANCE DATA.
- <sup>2</sup> All EM batteries are CEC compliant.
- <sup>3</sup> Ships separately, field installed.
- <sup>4</sup> Prewired for 0-10V low-voltage applications. Dimming down to 10%, dim-to-off below 0.5V
- <sup>5</sup> See page 2 for MOUNTING HARDWARE ACCESSORIES DETAILS.



## FIXTURE PERFORMANCE DATA

### SEMI-SPECULAR REFLECTOR FINISH

WATTAGE SETTING	3000K			3500K			4000K		
	LUMEN OUTPUT	WATTAGE	EFFICACY (LM/W)	LUMEN OUTPUT	WATTAGE	EFFICACY (LM/W)	LUMEN OUTPUT	WATTAGE	EFFICACY (LM/W)
Low	1020	9.4	109	1055	9.1	116	1033	9.2	112
Medium	1487	14.0	106	1569	13.4	117	1523	13.7	111
High	1888	18.5	102	2030	17.6	115	1951	18.1	108

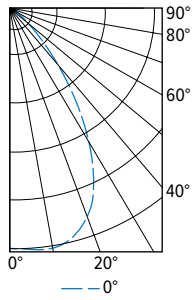
### WHITE REFLECTOR FINISH

WATTAGE SETTING	3000K			3500K			4000K		
	LUMEN OUTPUT	WATTAGE	EFFICACY (LM/W)	LUMEN OUTPUT	WATTAGE	EFFICACY (LM/W)	LUMEN OUTPUT	WATTAGE	EFFICACY (LM/W)
Low	846	9.4	90	875	9.1	96	857	9.2	93
Medium	1233	14	88	1303	13.4	97	1263	13.7	92
High	1565	18.5	85	1684	17.6	96	1618	18.1	89

Actual performance may vary +/-5%.

## PHOTOMETRY

6FDR-LS/8CS-CS-DIM-UNV Total Luminaire Output: 2030 lumens; 17.6 Watts (High Wattage Setting) | Efficacy: 115 lm/W | 80 CRI; 3500K CCT



CANDLEPOWER DISTRIBUTION	VERTICAL ANGLE	HORIZONTAL ANGLE	ZONAL LUMENS
		0°	
	0	1679	
	5	1689	162
	15	1661	466
	25	1379	624
	35	789	494
	45	298	236
	55	34	45
	65	3	3
	75	1	1
	85	0	0
	90	0	0

LUMEN SUMMARY	ZONE	LUMENS	% FIXTURE
	0 - 30	1252	62
	0 - 40	1745	86
	0 - 60	2026	100
	0 - 90	2030	100
	0 - 180	2030	100

## FIXTURE DETAILS

### FIELDSELECT SWITCHES

Located on remote driver box.



### REFLECTOR FINISH

WH

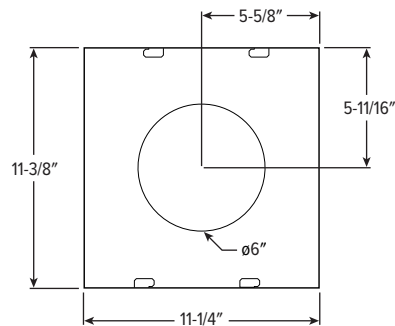


CS



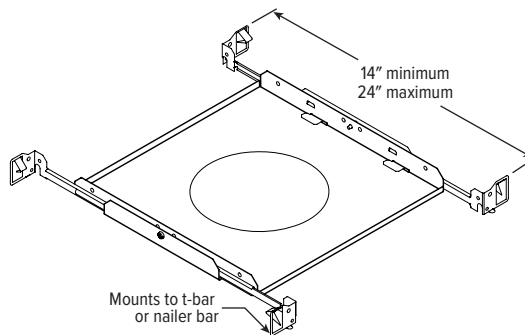
## MOUNTING HARDWARE ACCESSORIES DETAILS

### PAN DIMENSIONS

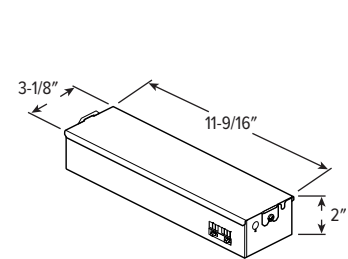


Ceiling Cutout: 6" - 6-3/8"

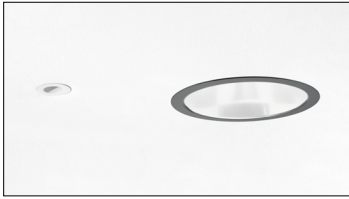
### ISOMETRIC VIEW



### DRIVER BOX



EMERGENCY BATTERY MOUNTING DETAILS



Regressed test switch shown installed



Standard test switch shown installed

