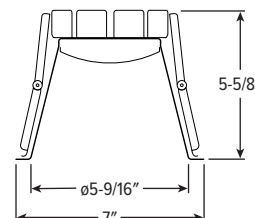




CATALOG #:

TYPE:

PROJECT:



FEATURES

- Ready to ship in 48 hours with on-hand inventory to support immediate job requirements
- Easily change the color temperature and lumen output on-site with built in switches, providing ultimate flexibility
- Simple and quick installation in new construction or remodel applications
- Rated for direct contact with insulation
- Durable spring clips secure fixture
- Maximize energy savings with efficacies up to 117 lm/W
- Low UGR meets LEED and WELL requirements
- Made Right Here[®] in the USA

ORDERING INFO

CATALOG NUMBER	SELECTABLE LUMENS	CRI	SELECTABLE CCT	REFLECTOR FINISH	DRIVER	VOLTAGE	UPC CODE
6FDR-LS/8CS-CS-QS-DIM-UNV	1,000/1,600/2,000	80	3,000K/3,500K/4,000K	Clear semi-specular anodize, 68° beam angle	Dim-to-off driver ^[1]	120-277V	850047638540

ACCESSORY CATALOG NUMBER	DESCRIPTION	UPC CODE
6FDR-N-F1-QS	New construction mounting pan with integral 2-position fixed bracket, universal bar hangers.	850047638724
EM/10W KIT-DC-QS	10-watt emergency battery kit, dual conduit ^[2]	850047638663

SPECIFICATIONS

- HEAT SINK – Aluminum.
- TRIM – Low-iridescent anodized aluminum with 1/2" standard flange and diffuse polycarbonate lens at top of open reflector. Semi-specular finish standard.
- ELECTRICAL – High-quality mid-power LED boards. L70 >70,000 hours. 25°C max ambient operating temperature. 50/60 Hz constant current driver.
- MOUNTING – Compatible with 6"- 6-3/8" ceiling cutout. Heavy-duty mounting springs accommodate ceiling thicknesses 1/2"- 2-1/2". Provided with 15" plenum-rated cable. New construction mounting pan accessory available. Access above ceiling required to change color and lumens after installation. For remodel installations, the minimum plenum height from the top of 5/8" sheetrock is 5-1/4". Weight 2.25 lbs.
- H.E. Williams Inc. strongly recommends installing a trial fixture on-site prior to ordering full project quantities.
- LISTINGS –
 - cETLus listed as LED luminaire suitable for dry or damp locations.
 - Conforms to UL STD.1598. Certified to CSA STD.C22.2 No.250.0.
 - IC-rated for direct contact with insulation.
 - Build America, Buy America (BABA) and Buy American Act (BAA) compliant. Request certification at hew.com/buy-american
- WARRANTY – 5-year limited warranty, see hew.com/warranty

NOTES

- ¹ Prewired for 0-10V low-voltage applications. Dimming down to 10%, dim-to-off below 0.5V
² Ships separately, field installed. CEC compliant.

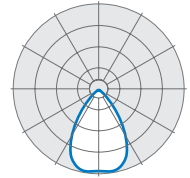




FIXTURE PERFORMANCE DATA

WATTAGE SETTING	3500K			4000K			5000K		
	LUMEN OUTPUT	WATTAGE	EFFICACY (lm/W)	LUMEN OUTPUT	WATTAGE	EFFICACY (lm/W)	LUMEN OUTPUT	WATTAGE	EFFICACY (lm/W)
Low	1020	9.4	109	1055	9.1	116	1033	9.2	112
Medium	1487	14.0	106	1569	13.4	117	1523	13.7	111
High	1888	18.5	102	2030	17.6	115	1951	18.1	108

DISTRIBUTION CURVE



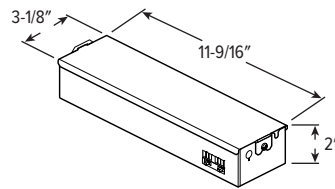
- Photometrics tested in accordance with IESNA LM-79. Results based on 80 CRI/3500K CCT, average wattage for 120V input, and 25°C ambient temperature. Actual performance may vary +/-5%.
- To calculate lumen output in emergency mode, multiply the battery wattage by the efficacy.

FIELDSELECT SWITCHES

Located on remote driver box.

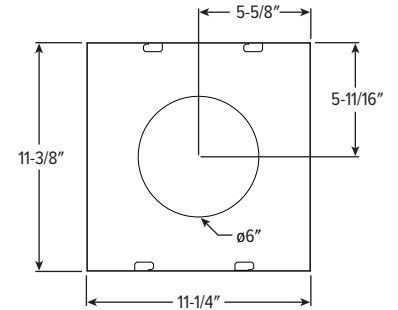
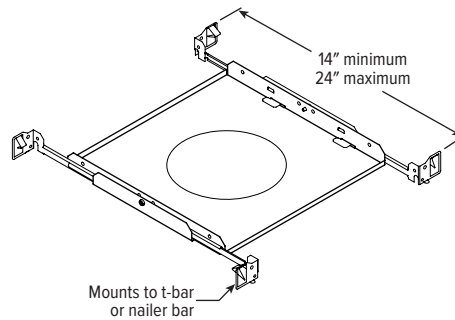


DRIVER BOX



ACCESSORY DETAILS

NEW CONSTRUCTION PAN



EMERGENCY BATTERY KIT

