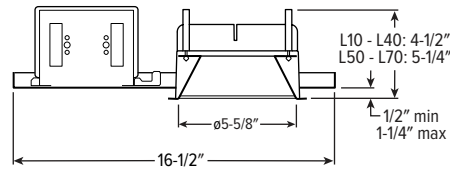


6PR LED 6" Shallow Plenum Downlight – Round



CATALOG #: _____

TYPE: _____

PROJECT: _____

NEW CONSTRUCTION AND REMODEL

FEATURES

TrimLock®

- Innovative TrimLock reflector retention system ensures trim remains flush with ceiling plane
- Beam angles ranging from 25° narrow to 85° wide for tailored performance
- Die cast trim with flush lens provides glare-free illumination for a soft ceiling appearance
- Industry-leading efficacies as high as 106 lm/W – ENERGY STAR® certified
- Fully room-side accessible

SPECIFICATIONS

- HOUSING** – Spun housing with forged aluminum heat sink. Galvanized steel splice compartment with driver mounting plate/enclosure. Mounting clips allow for ceiling thickness from 1/2"– 1-1/4" (consult factory for additional ceiling thicknesses).
- TRIMLOCK** – Innovative TrimLock reflector retention system ensures the trim remains flush with the ceiling plane.
- LENSED TRIM** – Die-cast aluminum frame with micro-prismatic, acrylic lens.
- ELECTRICAL** – High-performance Class 2 C.O.B. LED array. Modular quick-connect plug for easy field-connection of LED light assembly to driver. Reported L70>55,000 hours. Reported L90>55,000 hours. Estimated L70 = 200,000 hours.
- MOUNTING** – Recessed. 20 ga. galvanized steel mounting pan for new construction or IC-rated enclosure. Remodel kit option includes receiver bracket hardware. Minimum 24" O.C. marked spacing required for L50 - L70 lumen packages.
- LISTINGS** –
 - cCSAus conforms to UL STD 1598; Certified to CAN/CSA STD C22.2 No. 250.0 for damp locations. LED light assembly conforms to UL 2108 for remote installation.
 - Suitable for wet location under covered ceiling when specified with WET/CC option.
 - ENERGY STAR® certified in select configurations, see www.energystar.gov
 - IC-rated for direct contact with insulation when specified with I Mounting Type.
 - City of Chicago Environmental Air approved when specified with CP option.
 - Complies with ASTM-E283 when specified with ATH option.
 - RoHS compliant.
- WARRANTY** – 5-year limited warranty, see hew.com/warranty.

ORDERING EXAMPLE: 6PR - TL - L20/835 - OPTIONS - DIM - UNV - LW - OF - WH - TRIM OPTIONS - N - F1

HOUSING

SERIES	LUMENS ⁽¹⁾	CRI	CCT	OPTIONS	CONTROL ⁽²⁾	VOLTAGE
6PR - TL	L10 1,000lm ⁽³⁾	8 80	27 2700K	EM/7W	7-watt emergency battery ⁽⁵⁾	UNV 120-277V
TrimLock	L15 1,500lm	9 90 ⁽⁴⁾	30 3000K	EM/10W	10-watt emergency battery ⁽⁶⁾	347 347V ⁽¹⁰⁾
	L20 2,000lm		35 3500K	EM/10W/RTS	10-watt emergency battery with regressed test switch ⁽⁷⁾	
	L30 3,000lm		40 4000K			
	L40 4,000lm		50 5000K			
	L50 5,000lm			ATH	Airtight construction	
	L60 6,000lm			CP	Chicago plenum (CCEA) ⁽⁸⁾	
	L70 7,000lm			F	Fuse kit	
				SDT	Stepdown transformer ⁽⁹⁾	

TRIM ⁽¹¹⁾

TRIM TYPE	DISTRIBUTION ⁽¹²⁾	FLANGE TYPE	REFLECTOR FINISH	TRIM OPTIONS
L Flush lens	W 85° Wide	OF 1/2" standard flange	CS Clear semi-specular powder coat	IP IP65 rated trim
A Angled lens ⁽¹³⁾	M 35° Medium ⁽¹⁵⁾	SF 1/4" mud-in flange ⁽¹⁷⁾	WH White texture powder coat	AD Diffuse acrylic lens ⁽¹⁸⁾
S Non-conductive flush lens for shower applications ⁽¹⁴⁾	N 25° Narrow ⁽¹⁶⁾		BL Black texture powder coat	PD Diffuse 1/8" polycarbonate lens ⁽¹⁹⁾
				WET/CC Wet location, covered ceiling listed ⁽²⁰⁾
				AM Anti-microbial ⁽²¹⁾

MOUNTING

MOUNTING TYPE ⁽²²⁾

- N Open pan for new construction
- I IC-rated enclosure for new construction ⁽²⁴⁾
- R Remodel kit ⁽²⁵⁾

MOUNTING HARDWARE ⁽²³⁾

- F1 Integral 2-position fixed pan bracket, universal bar hanger included ⁽²⁶⁾
- BA1 Adjustable butterfly pan bracket, bar hanger not included ⁽²⁷⁾
- CA1 Adjustable caterpillar pan bracket, universal bar hanger included ⁽²⁸⁾

NOTES

- Lumen output based on L trim type, W distribution and WH finish, 3500K/80CRI. Actual lumens may vary +/-5%. See page 2 for FIXTURE PERFORMANCE DATA.
- See page 3 for ADDITIONAL CONTROL OPTIONS.
- Not available with EM/10W emergency batteries.
- Extended lead times may apply. Consult factory for availability.
- N and R Mounting Types only. Not available with ATH or IP options.
- N and R Mounting Types only. Not available with ATH or IP options.
- Not available with WET/CC, ATH or IP options. N and R Mounting Types only. See page 4 for EM/10W/RTS DETAILS.
- I Mounting Type required.
- May be required for 347V, see product builder at hew.com/product-builder.
- Not available with EM batteries or DMX controls.
- Trim ships separately.
- Beam angle based on WH reflector finish and L Trim Type.
- Wide distribution only. Diffuse acrylic lens standard.
- W Distribution, OF Flange Type, and WH Reflector Finish only. Standard with AD diffuse acrylic lens. IP and WET/CC options standard.
- Not available with lumen stops L50 - L70.
- Not available with lumen stops L50 - L70.
- For use with mud-in plaster construction only, supplied with mud flange installation kit. See page 3 for FLANGE TYPE DETAILS. Not available with ATH or IP options.
- L Trim Type only. W distribution only.
- W distribution only.
- Not available with PD trim option.
- WH and BL Reflector Finishes only. Not available with S Trim Type.
- Mounting hardware required (N and I only), ordered separately, see MOUNTING HARDWARE ordering info. See page 4 for MOUNTING TYPE DETAILS.
- Additional mounting hardware options available. See page 5 for MOUNTING HARDWARE DETAILS.
- L30 lumen package max.
- Also used in new construction sheetrock ceilings.
- N and I Mounting Types only. I Mounting requires external brackets.
- N Mounting Type only.
- N Mounting Type only.



6PR LED 6" Shallow Plenum Downlight – Round

FIXTURE PERFORMANCE DATA

	DISTRIBUTION	DELIVERED LUMENS	WATTAGE	EFFICACY (lm/W)
L10	W	1111	10.7	103.6
	M	1127	10.7	105.1
	N	1137	10.7	106.1
L15	W	1696	16.6	101.9
	M	1720	16.6	103.3
	N	1736	16.6	104.3
L20	W	2208	22.7	97.3
	M	2239	22.7	98.8
	N	2260	22.7	99.7
L30	W	3293	33.2	99.1
	M	3309	33.2	99.6
	N	3224	33.2	97.1
L40	W	4394	44.1	99.6
	M	4415	44.1	100.1
	N	4302	44.1	97.6
L50	W	5503	54.7	100.7
	M	-	-	-
	N	-	-	-
L60	W	6010	68.2	88.2
	M	-	-	-
	N	-	-	-
L70	W	7023	78.2	89.8
	M	-	-	-
	N	-	-	-

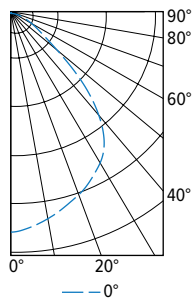
MULTIPLIER TABLES

	COLOR TEMPERATURE		TRIM	
	CCT	CONVERSION FACTOR	CATALOG NUMBER	CONVERSION FACTOR
80 CRI	2700K	0.92	S	0.85
	3000K	0.98	AD	0.85
	3500K	1.00	PD	0.85
	4000K	1.01		
90 CRI	2700K	0.76		
	3000K	0.79		
	3500K	0.82		
	4000K	0.84		
	5000K	0.88		

- Photometrics tested in accordance with IESNA LM-79. Results shown are based on 25°C ambient temperature.
- Wattage shown is based on 120V input.
- Results based on L trim type, W distribution and WH finish, 3500K, 80 CRI, actual lumens may vary +/-5%
- Use multiplier tables to calculate additional options.

PHOTOMETRY

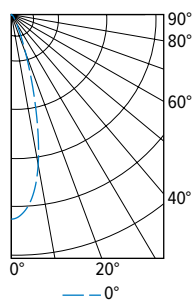
6PR-TL-L20/835-DIM-UNV-LW-OF-WH Report #: 12326812.29; 06/08/18 | Total Luminaire Output: 2208 lumens; 22.7 Watts | Efficacy: 97.3 lm/W | 81.8 CRI; 3647K CCT



CANDLEPOWER DISTRIBUTION	VERTICAL ANGLE	HORIZONTAL ANGLE	ZONAL LUMENS
		0°	
	0	1169	
	5	1148	81
	15	1075	174
	25	989	243
	35	859	267
	45	556	183
	55	223	86
	65	111	47
	75	51	21
	85	12	3
	90	1	

LUMEN SUMMARY	ZONE	LUMENS	% FIXTURE
	0 - 40	1399	64
	0 - 60	2029	92
	0 - 90	2208	100
	0 - 180	2208	100

6PR-TL-L20/835-DIM-UNV-LM-OF-WH Report #: 12326812.31; 06/08/18 | Total Luminaire Output: 2239 lumens; 22.7 Watts | Efficacy: 98.8 lm/W | 81.7 CRI; 3644K CCT



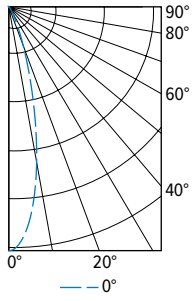
CANDLEPOWER DISTRIBUTION	VERTICAL ANGLE	HORIZONTAL ANGLE	ZONAL LUMENS
		0°	
	0	5151	
	5	4950	333
	15	3241	421
	25	1025	188
	35	304	80
	45	134	46
	55	70	27
	65	36	15
	75	17	7
	85	3	1
	90	0	

LUMEN SUMMARY	ZONE	LUMENS	% FIXTURE
	0 - 40	2013	90
	0 - 60	2182	97
	0 - 90	2239	100
	0 - 180	2239	100



6PR LED 6" Shallow Plenum Downlight – Round

6PR-TL-L20/835-DIM-UNV-LN-OF-WH Report #: 12326812.32; 06/08/18 | Total Luminaire Output: 2260 lumens; 22.7 Watts | Efficacy: 99.7 lm/W | 81.6 CRI; 3629K CCT



CANDLEPOWER DISTRIBUTION	VERTICAL ANGLE	HORIZONTAL ANGLE	ZONAL LUMENS
		0°	
	0	8348	
	5	7547	466
	15	3235	381
	25	771	137
	35	212	57
	45	107	38
	55	66	27
	65	37	16
	75	16	7
	85	3	1
	90	0	

LUMEN SUMMARY	ZONE	LUMENS	% FIXTURE
	0 - 40	2060	91
	0 - 60	2203	98
	0 - 90	2260	100
	0 - 180	2260	100

ADDITIONAL CONTROL OPTIONS

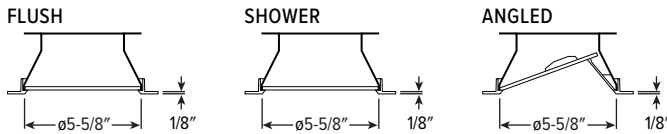
Lumen restrictions apply: L30 max for DMX driver, L30 max for Lutron drivers, L50 max for DIM LINE driver. R Mounting Type not available with DMX, VRF or FCJS controls. 347V may require stepdown transformer, see product builder at hew.com/product-builder. I Mounting Type not available with Lutron controls.

CATALOG NUMBER	DESCRIPTION
DIM	Dimming driver prewired for 0-10V low voltage applications
DIM1	1% dimming driver prewired for 0-10V low voltage applications
DIM LINE	Line voltage dimming driver (TRIAC and ELV compatible at 120V only)
DMX	0.1% dimming driver for DMX controls
LTE LINE	Lutron Hi-lume 1% 2-wire dimming driver forward phase line voltage controls (120V only)
LDE1	Lutron Hi-lume 1% EcoSystem dimming LED driver
VRF/DBI/LDE1	Lutron Vive integral fixture control, RF only (DFCSJ-OEM-RF), Lutron Hi-lume 1% EcoSystem dimming LED driver, and digital link interface
FCJS/DIM	Lutron Vive PowPak wireless fixture control with dimming driver
FCJS/DIM1	Lutron Vive PowPak wireless fixture control with 1% dimming driver
ELDO SOLOB	EldoLED Solodrive, 0.1% dimming driver for 0-10V controls
ELDO SOLOB DALI	EldoLED Solodrive, 0.1% dimming driver for DALI controls
ELDO ECO1	EldoLED Ecodrive, 1% dimming driver for 0-10V controls
ELDO ECO1 DALI	EldoLED Ecodrive, 1% dimming driver for DALI controls

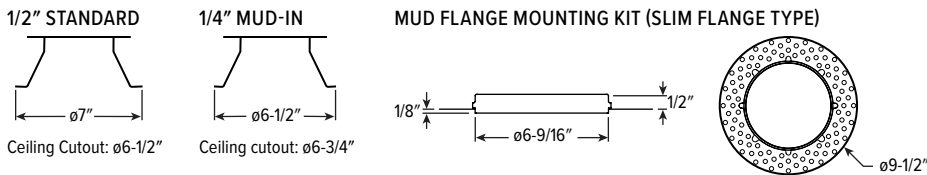
TRIMLOCK DETAILS



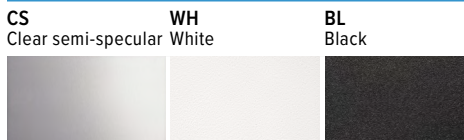
TRIM TYPE DETAILS



FLANGE TYPE DETAILS



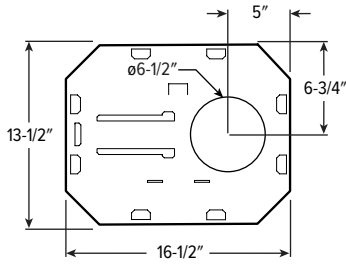
REFLECTOR FINISH DETAILS



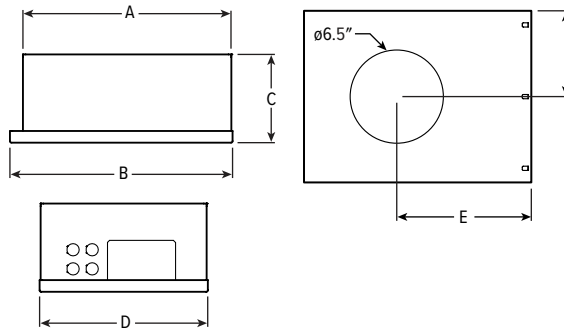
6PR LED 6" Shallow Plenum Downlight – Round

MOUNTING TYPE DETAILS

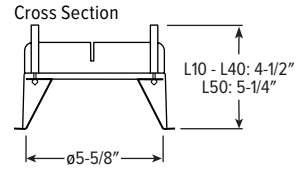
NEW CONSTRUCTION



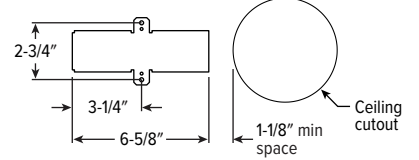
IC-RATED



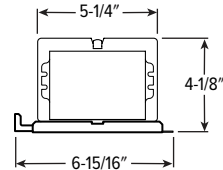
REMODEL



Receiver Bracket

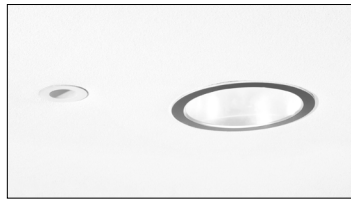


Driver and Junction Box

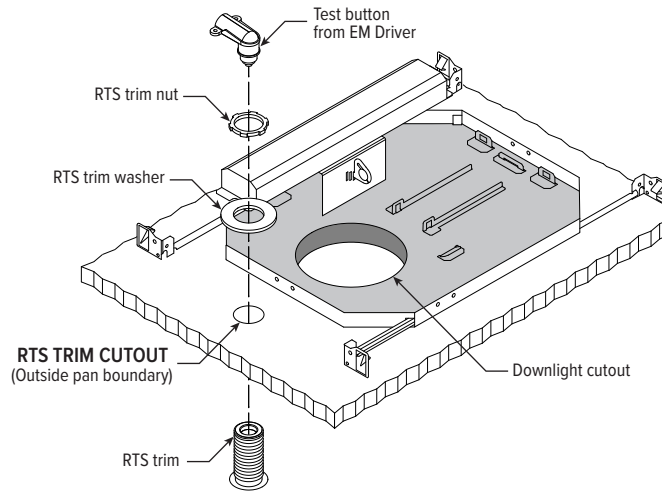


LUMENS	LENGTH					
	A	B	C	D	E	F
L10 - L20	15-1/16"	16"	4-1/2"	12-1/8"	9-1/2"	6-1/16"
L30	15-3/16"	16"	6-3/8"			

EM/10W/RTS DETAILS



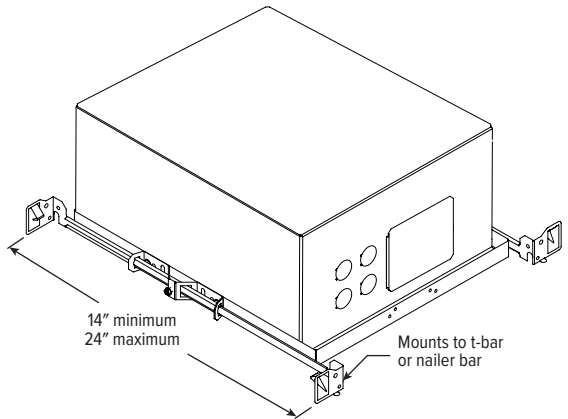
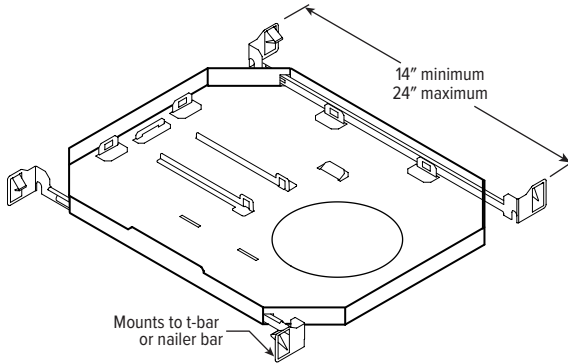
Shown Installed



6PR^{LED} 6" Shallow Plenum Downlight – Round

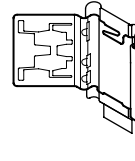
MOUNTING HARDWARE DETAILS

F1 Integral 2-position fixed pan bracket, universal bar hanger included

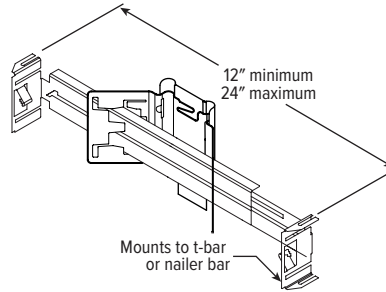


F1 with I Mounting Type

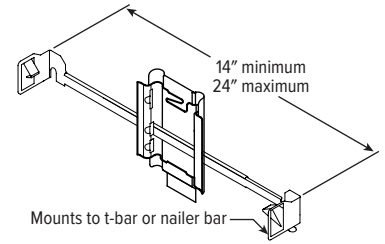
BA1 Adjustable butterfly pan bracket, bar hanger not included (N Mounting Type only)



BA2 Adjustable butterfly pan bracket, heavy-duty universal bar hanger included (N Mounting Type only)



CA1 Adjustable caterpillar pan bracket, universal bar hanger included (N Mounting Type only)



CA2 Adjustable caterpillar pan bracket, t-bar hanger included (N Mounting Type only)

