

6PS dim to WARM

6" Shallow Plenum Downlight – Square

FEATURES

- Mimic the comfortable, welcoming glow of incandescent with warm-dimming technology
- Slim 5" depth for minimal plenum space applications
- Beam angles ranging from 30° narrow to 85° wide for tailored performance
- Square shape accentuates architectural styles
- Spring clip retention system eliminates trim sag
- Die-cast trim with flush lens provides glare-free illumination for a soft ceiling appearance
- Fully room-side accessible
- New construction mounting pan, IC-rated, or pan-less remodel kit available
- IP65-rated die-cast trim includes easy-to-clean flush lens
- Made Right Here® in the USA

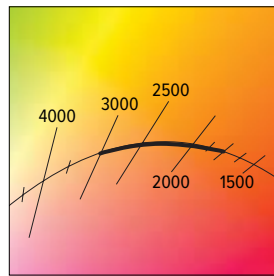
SPECIFICATIONS

- HOUSING** – Formed steel housing with forged aluminum heat sink. Galvanized steel splice compartment with driver mounting plate/enclosure. Mounting clips allow for ceiling thickness from 1/2" – 1-1/2" (consult factory for additional ceiling thicknesses).
- LENSED TRIM** – Die-cast aluminum frame with micro-prismatic, acrylic lens.
- ELECTRICAL** – High-performance Class 2 C.O.B. LED array. Modular quick-connect plug for easy field-connection of LED light assembly to driver. Reported L70>55,000 hours. Reported L90>55,000 hours. Estimated L70 = 200,000 hours.
- MOUNTING** – Recessed. 20 ga. galvanized steel mounting pan for new construction or IC-rated enclosure. Remodel kit option includes receiver bracket hardware.

- LISTINGS** –
 - cCSAus conforms to UL STD 1598; Certified to CAN/CSA STD C22.2 No. 250.0 for dry and damp locations. LED light assembly conforms to UL 2108 for remote installation.
 - Suitable for wet location under covered ceiling when specified with WET/CC option.
 - IC-rated for direct contact with insulation when specified with I Mounting Type.
 - City of Chicago Environmental Air approved when specified with CP option.
 - IP65 rated trim when specified with IP option.
 - Complies with ASTM-E283 when specified with ATH option.
 - RoHS compliant.
 - Complies with the Buy American Act and other federal regulations. Request certification at hew.com/baa.
- WARRANTY** – 5-year limited warranty, see hew.com/warranty.

FIXTURE PERFORMANCE DATA

	DISTRIBUTION	DELIVERED LUMENS	CCT AT 100% (FULL OUTPUT)	CCT AT 1% (FULL DIM)	WATTAGE	EFFICACY (lm/W)
L7	W	825	3000K	1800K	14.0	59
	M	784			14.0	56
	N	752			14.0	54
L13	W	1447			23.4	62
	M	1374			23.4	59
	N	1318			23.4	56
L21	W	2141			37.7	57
	M	2030			37.7	54
	N	1948			37.7	52



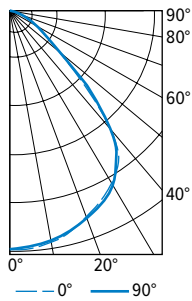
MULTIPLIER TABLE

TRIM	
CATALOG NUMBER	CONVERSION FACTOR
AD	0.85
PD	0.85

- Photometrics tested in accordance with IESNA LM-79. Results based on full light output, L Trim Type, WH Reflector Finish, W Distribution, 95 CRI/3000K CCT, average wattage for 120V input, and 25°C ambient temperature. Actual performance may vary +/-5%
- To calculate lumen output in emergency mode, multiply the battery wattage by the efficacy.
- Use multiplier table to calculate additional options.

PHOTOMETRY

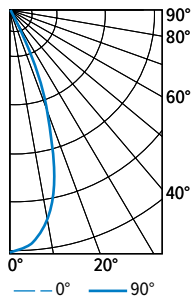
6PS-L21/9DW-DIM1-UNV-LW-OF-WH Total Luminaire Output: 2141 lumens; 37.7 Watts | Efficacy: 56.8 lm/W | 95.0 CRI; 3000K CCT



	VERTICAL ANGLE	HORIZONTAL ANGLE			ZONAL LUMENS
		0°	45°	90°	
CANDLEPOWER DISTRIBUTION	0	1059	1059	1059	
	5	1059	1054	1050	100
	15	1021	1014	1017	287
	25	950	940	948	436
	35	843	842	822	517
	45	503	635	498	427
	55	190	298	183	217
	65	91	110	92	101
	75	40	43	40	45
	85	8	7	8	9
	90	0	0	0	

LUMEN SUMMARY	ZONE	LUMENS	% FIXTURE
	0 - 30	823	38
0 - 40	1340	63	
0 - 60	1984	93	
0 - 90	2141	100	
0 - 180	2141	100	

6PS-L21/9DW-DIM1-UNV-LM-OF-WH Total Luminaire Output: 2030 lumens; 37.7 Watts | Efficacy: 53.8 lm/W | 95.0 CRI; 3000K CCT



	VERTICAL ANGLE	HORIZONTAL ANGLE			ZONAL LUMENS
		0°	45°	90°	
CANDLEPOWER DISTRIBUTION	0	4173	4173	4173	
	5	4090	4062	4036	375
	15	2869	2893	2910	777
	25	936	981	979	480
	35	280	295	296	197
	45	117	125	124	99
	55	59	66	59	57
	65	29	32	29	30
	75	12	12	12	13
	85	1	2	1	3
	90	0	0	0	

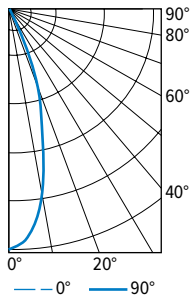
LUMEN SUMMARY	ZONE	LUMENS	% FIXTURE
	0 - 30	1632	80
0 - 40	1828	90	
0 - 60	1984	98	
0 - 90	2030	100	
0 - 180	2030	100	

PHOTOMETRY CONTINUED ON NEXT PAGE.



6PS dim to WARM 6" Shallow Plenum Downlight – Square

6PS-L21/9DW-DIM1-UNV-LN-OF-WH Total Luminaire Output: 1948 lumens; 37.7 Watts | Efficacy: 51.6 lm/W | 95.0 CRI; 3000K CCT



CANDLEPOWER DISTRIBUTION	VERTICAL ANGLE	HORIZONTAL ANGLE			ZONAL LUMENS
		0°	45°	90°	
	0	4728	4728	4728	
	5	4496	4461	4458	404
	15	2628	2652	2636	723
	25	820	875	861	421
	35	244	257	261	174
	45	115	126	124	96
	55	72	82	74	69
	65	39	44	41	42
	75	15	17	15	17
	85	1	1	1	3
	90	0	0	v0	

LUMEN SUMMARY	ZONE	LUMENS	% FIXTURE
	0 - 30	1547	79
	0 - 40	1721	88
	0 - 60	1886	97
	0 - 90	1948	100
	0 - 180	1948	100

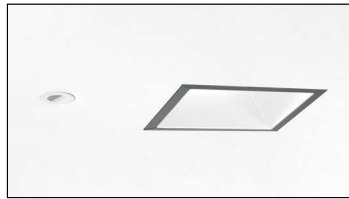
EMERGENCY BATTERY OPTIONS

Additional limitations apply, see page 1. Specify CEC in the option code when California Energy Commission regulations are required.

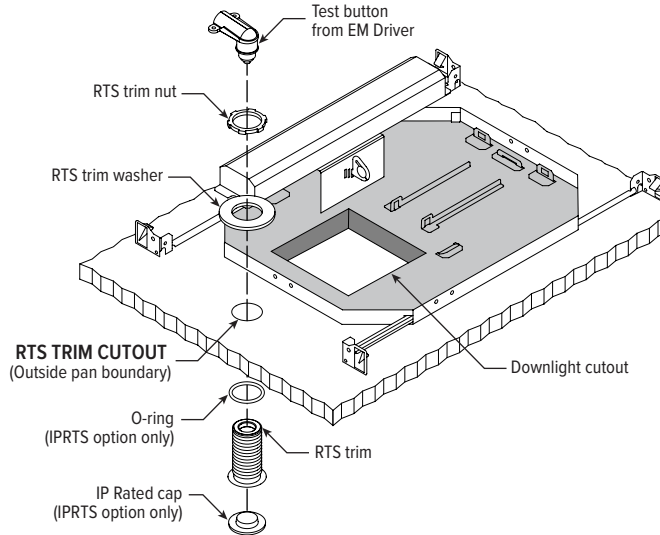
CATALOG NUMBER	DESCRIPTION
EM/7W	7-watt emergency battery ^[1]
EM/7W/RTS	7-watt emergency battery with regressed test switch ^[2]
EM/7W/IPRTS	7-watt emergency battery with IP65 rated regressed test switch
EM/10W	10-watt emergency battery ^[1]
EM/10W/RTS	10-watt emergency battery with regressed test switch ^[2]
EM/10W/IPRTS	10-watt emergency battery with IP65 rated regressed test switch

- ¹ Not available with IP Option.
- ² Not available with IP or WET/CC Options.

REGRESSED TEST SWITCH DETAILS



Shown Installed



APERTURE ADAPTOR ORDERING INFO

ORDERING EXAMPLE: 4DR - GR - 0575 - WHT			
SERIES	CATALOG NUMBER	CEILING CUTOUT	FINISH
4AR 6AR 4DR 6DR 4DS 6DS 4PR 6PR 4PS 6PS 8DR	GR	Specify ceiling cutout in 1/8" increments. Example: 5.75" = 0575 See Kit Components for application limits.	CS Clear semi-specular powder coat WH White texture powder coat BL Black texture powder coat

For use with remodel downlights.

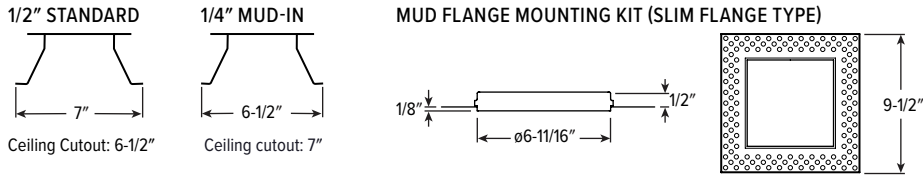
Additional finishes available, consult factory.

For limitations and instructions, see hew.com/aperture-adaptor.pdf



6PS dim to WARM 6" Shallow Plenum Downlight – Square

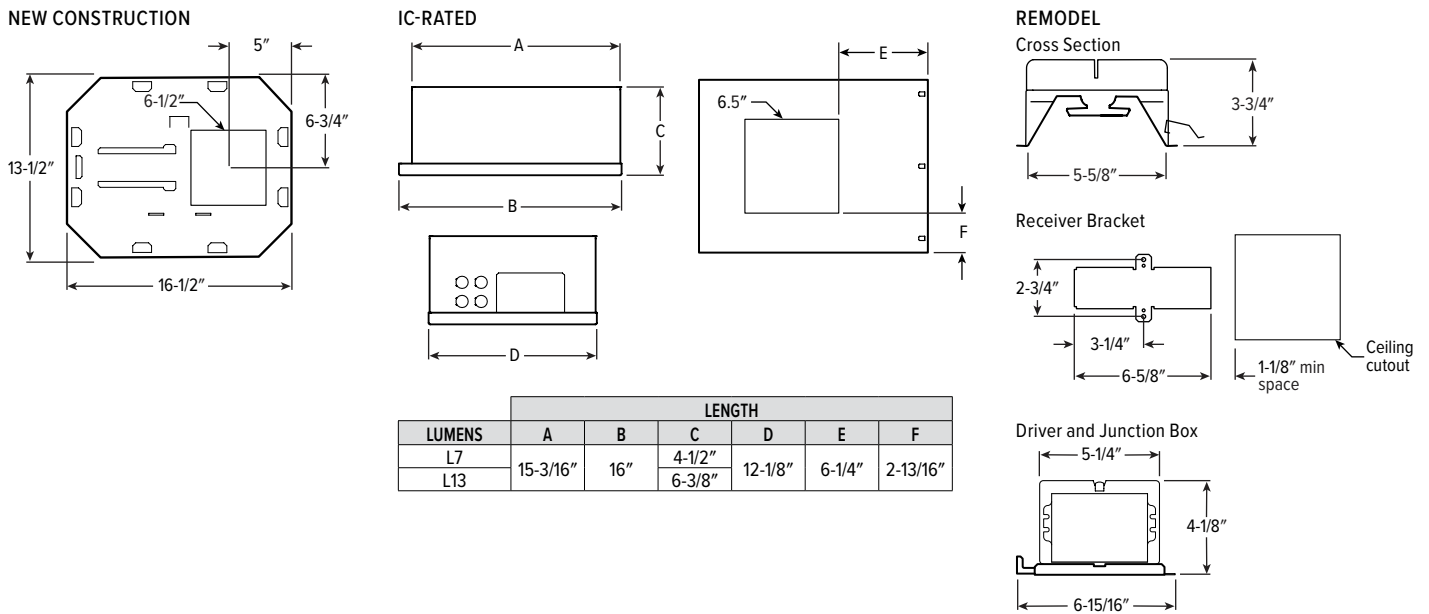
FLANGE TYPE DETAILS



REFLECTOR FINISH DETAILS



MOUNTING TYPE DETAILS

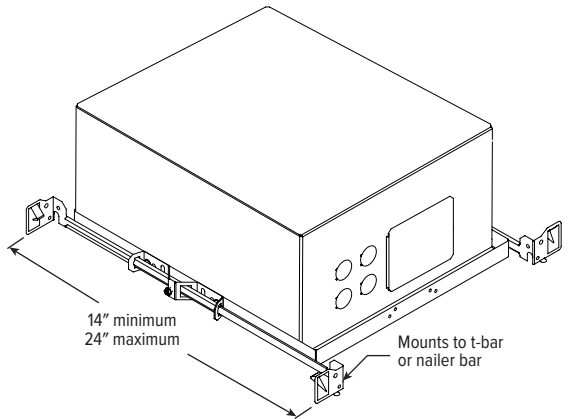
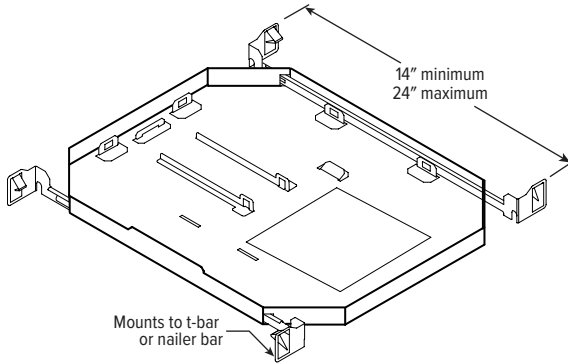


MOUNTING DETAILS CONTINUED ON NEXT PAGE.

6PS dim to WARM 6" Shallow Plenum Downlight – Square

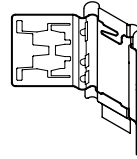
MOUNTING HARDWARE DETAILS

F1 Integral 2-position fixed pan bracket, universal bar hanger included

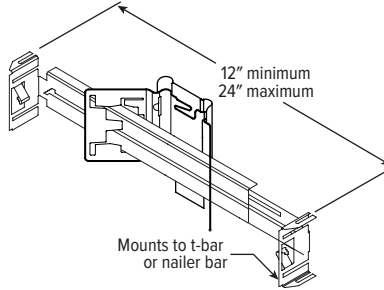


F1 with I Mounting Type

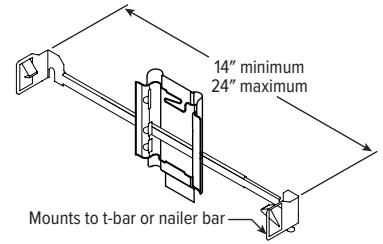
BA1 Adjustable butterfly pan bracket, bar hanger not included (N Mounting Type only)



BA2 Adjustable butterfly pan bracket, heavy-duty universal bar hanger included (N Mounting Type only)



CA1 Adjustable caterpillar pan bracket, universal bar hanger included (N Mounting Type only)



CA2 Adjustable caterpillar pan bracket, t-bar hanger included (N Mounting Type only)

