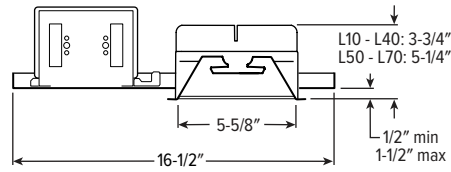


# 6PS LED 6" Shallow Plenum Downlight – Square



CATALOG #: \_\_\_\_\_

TYPE: \_\_\_\_\_

PROJECT: \_\_\_\_\_

## NEW CONSTRUCTION AND REMODEL

### FEATURES

- Slim 5" depth for minimal plenum space applications
- Beam angles ranging from 30° narrow to 85° wide for tailored performance
- Square shape accentuates architectural styles
- Spring clip retention system eliminates trim sag
- Die cast trim with flush lens provides glare-free illumination for a soft ceiling appearance
- Industry-leading efficacies as high as 101 lm/W
- Fully room-side accessible

### SPECIFICATIONS

- **HOUSING** – Formed steel housing with forged aluminum heat sink. Galvanized steel splice compartment with driver mounting plate/enclosure. Mounting clips allow for ceiling thickness from 1/2" – 1-1/2" (consult factory for additional ceiling thicknesses).
- **LENSED TRIM** – Die-cast aluminum frame with micro-prismatic, tempered glass lens.
- **ELECTRICAL** – High-performance Class 2 C.O.B. LED array. Modular quick-connect plug for easy field-connection of LED light assembly to driver. Reported L70>55,000 hours. Reported L90>55,000 hours. Estimated L70 = 200,000 hours.
- **MOUNTING** – Recessed. 20 ga. galvanized steel mounting pan for new construction or IC-rated enclosure. Remodel kit option includes receiver bracket hardware. Minimum 24" O.C. marked spacing required for L50 – L70 lumen packages.
- **LISTINGS** –
  - cCSAus conforms to UL STD 1598; Certified to CAN/CSA STD C22.2 No. 250.0 for damp locations. LED light assembly conforms to UL 2108 for remote installation.
  - Suitable for wet location under covered ceiling when specified with WET/CC option.
  - IC-rated for direct contact with insulation when specified with I Mounting Type.
  - City of Chicago Environmental Air approved when specified with CP option.
  - Complies with ASTM-E283 when specified with ATH option.
  - RoHS compliant.
- **WARRANTY** – 5-year limited warranty, see [hew.com/warranty](http://hew.com/warranty).

ORDERING EXAMPLE: **6PS - L40/835 - OPTIONS - DIM - UNV - LW - OF - WH - TRIM OPTIONS - N - F1**

### HOUSING

SERIES	LUMENS <sup>(1)</sup>	CRI	CCT	OPTIONS	CONTROL <sup>(2)</sup>	VOLTAGE	
6PS	L10	1,000lm <sup>(3)</sup>	8 80	27 2700K	EM/7W	7-watt emergency battery <sup>(5)</sup>	UNV 120-277V
	L15	1,500lm	9 90 <sup>(4)</sup>	30 3000K			
	L20	2,000lm		35 3500K	EM/10W	10-watt emergency battery <sup>(6)</sup>	DIM1 1% Dimming driver, 0-10V
	L30	3,000lm		40 4000K			
	L40	4,000lm		50 5000K	EM/10W/RTS	10-watt emergency battery with regressed test switch <sup>(7)</sup>	
	L50	5,000lm					
	L60	6,000lm					
L70	7,000lm						
				ATH	Airtight construction		
				CP	Chicago plenum (CCEA) <sup>(8)</sup>		
				F	Fuse kit		
				SDT	Stepdown transformer <sup>(9)</sup>		

### TRIM<sup>(11)</sup>

TRIM TYPE	DISTRIBUTION <sup>(12)</sup>	FLANGE TYPE	REFLECTOR FINISH	TRIM OPTIONS
L Flush lens	W 85° Wide M 35° Medium <sup>(13)</sup> N 30° Narrow <sup>(14)</sup>	OF 1/2" standard flange SF 1/4" mud-in flange <sup>(15)</sup>	CS Clear semi-specular powder coat WH White texture powder coat BL Black texture powder coat	IP IP65 rated trim AD Diffuse acrylic lens <sup>(16)</sup> PD Diffuse 1/8" polycarbonate lens <sup>(17)</sup> WET/CC Wet location, covered ceiling listed AM Anti-microbial <sup>(18)</sup>

### MOUNTING

#### MOUNTING TYPE<sup>(19)</sup>

- N Open pan for new construction
- I IC-rated enclosure for new construction<sup>(21)</sup>
- R Remodel kit<sup>(22)</sup>

#### MOUNTING HARDWARE<sup>(20)</sup>

- F1 Integral 2-position fixed pan bracket, universal bar hanger included<sup>(23)</sup>
- BA1 Adjustable butterfly pan bracket, bar hanger not included<sup>(24)</sup>
- CA1 Adjustable caterpillar pan bracket, universal bar hanger included<sup>(25)</sup>

### NOTES

- <sup>1</sup> Lumen output based on L trim type, W distribution and WH finish, 3500K/80CRI. Actual lumens may vary +/-5%. See page 2 for FIXTURE PERFORMANCE DATA.
- <sup>2</sup> See page 3 for ADDITIONAL CONTROL OPTIONS.
- <sup>3</sup> Not available with EM/10W emergency batteries.
- <sup>4</sup> Extended lead times may apply. Consult factory for availability.
- <sup>5</sup> N and R Mounting Types only.
- <sup>6</sup> N and R Mounting Types only.
- <sup>7</sup> Not available with WET/CC, ATH or IP options. N and R Mounting Types only. See page 4 for EM/10W/RTS DETAILS.
- <sup>8</sup> I Mounting Type required.
- <sup>9</sup> May be required for 347V, see product builder at [hew.com/product-builder](http://hew.com/product-builder).
- <sup>10</sup> Not available with EM batteries or DMX controls.
- <sup>11</sup> Trim ships separately.
- <sup>12</sup> Beam angle based on WH reflector finish.
- <sup>13</sup> Not available with lumen stops L50 – L70.
- <sup>14</sup> Not available with lumen stop L50 – L70.

- <sup>15</sup> For use with mud-in plaster construction only, supplied with mud flange installation kit. See page 3 for FLANGE TYPE DETAILS. Not available with ATH or IP options.
- <sup>16</sup> W distribution only.
- <sup>17</sup> W distribution only.
- <sup>18</sup> WH and BL Reflector Finishes only.
- <sup>19</sup> Mounting hardware required (N and I only), ordered separately, see MOUNTING HARDWARE ordering info. See page 4 for MOUNTING TYPE DETAILS.
- <sup>20</sup> Additional mounting hardware options available. See page 5 for MOUNTING HARDWARE DETAILS.
- <sup>21</sup> L30 lumen package max.
- <sup>22</sup> Also used in new construction sheetrock ceilings.
- <sup>23</sup> N and I Mounting Types only. I Mounting requires external brackets.
- <sup>24</sup> N Mounting Type only.
- <sup>25</sup> N Mounting Type only.



# 6PS LED 6" Shallow Plenum Downlight – Square

## FIXTURE PERFORMANCE DATA

	DISTRIBUTION	DELIVERED LUMENS	WATTAGE	EFFICACY (lm/W)
L10	W	1067	10.7	99.5
	M	1012	10.7	94.4
	N	971	10.7	90.6
L15	W	1643	17.2	95.4
	M	1558	17.2	90.5
	N	1495	17.2	86.8
L20	W	2139	23.5	91.1
	M	2029	23.5	86.4
	N	1947	23.5	82.9
L30	W	3222	33.2	97.0
	M	3056	33.2	92.0
	N	2932	33.2	88.3
L40	W	4509	44.5	101.3
	M	4284	44.5	96.3
	N	4107	44.5	92.3
L50	W	5387	54.7	98.6
	M	-	-	-
	N	-	-	-
L60	W	6174	68.2	90.6
	M	-	-	-
	N	-	-	-
L70	W	7214	78.2	92.3
	M	-	-	-
	N	-	-	-

## MULTIPLIER TABLES

COLOR TEMPERATURE	
CCT	CONVERSION FACTOR
2700K	0.92
3000K	0.98
3500K	1.00
4000K	1.01
5000K	1.02

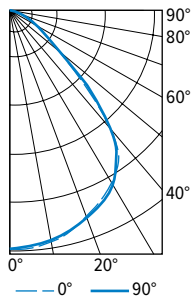
2700K	0.76
3000K	0.79
3500K	0.82
4000K	0.84
5000K	0.88

TRIM	
CATALOG NUMBER	CONVERSION FACTOR
AD	0.85
PD	0.85

- Photometrics tested in accordance with IESNA LM-79. Results shown are based on 25°C ambient temperature.
- Wattage shown is based on 120V input.
- Results based on L trim type, W distribution and WH finish, 3500K/80CRI, actual lumens may vary +/-5%
- Use multiplier tables to calculate additional options.

## PHOTOMETRY

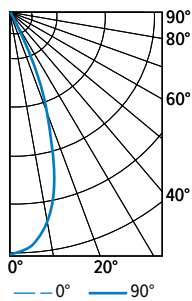
6PS-L40/835-DIM-UNV-LW-OF-WH Report #: 20372; 04/30/18 | Total Luminaire Output: 4509 lumens; 44.5 Watts | Efficacy: 101.3 lm/W | 82.9 CRI; 3419K CCT



VERTICAL ANGLE	HORIZONTAL ANGLE			ZONAL LUMENS
	0°	45°	90°	
0	2230	2230	2230	
5	2230	2218	2211	212
15	2150	2134	2140	607
25	1999	1979	1995	921
35	1774	1772	1731	1109
45	1058	1336	1048	915
55	400	627	385	431
65	192	232	193	207
75	84	90	85	92
85	17	15	17	16
90	0	0	0	

LUMEN SUMMARY	ZONE	LUMENS	% FIXTURE
	0 - 30	1739	39
	0 - 40	2848	63
	0 - 60	4194	93
	0 - 90	4509	100
	0 - 180	4509	100

6PS-L40/835-DIM-UNV-LM-OF-WH Report #: 20374; 04/30/18 | Total Luminaire Output: 4284 lumens; 44.5 Watts | Efficacy: 96.3 lm/W | 82.9 CRI; 3419K CCT



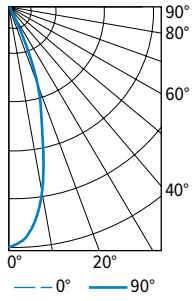
VERTICAL ANGLE	HORIZONTAL ANGLE			ZONAL LUMENS
	0°	45°	90°	
0	8786	8786	8786	
5	8610	8552	8496	816
15	6039	6091	6127	1724
25	1971	2066	2061	946
35	589	621	623	388
45	247	264	262	201
55	125	139	125	117
65	61	68	61	63
75	25	26	25	27
85	3	4	3	3
90	0	0	0	

LUMEN SUMMARY	ZONE	LUMENS	% FIXTURE
	0 - 30	3486	81
	0 - 40	3874	90
	0 - 60	4192	98
	0 - 90	4284	100
	0 - 180	4284	100



# 6PS LED 6" Shallow Plenum Downlight – Square

6PS-L40/835-DIM-UNV-LN-OF-WH Report #: 20375; 04/30/18 | Total Luminaire Output: 4107 lumens; 44.5 Watts | Efficacy: 92.3 lm/W | 82.9 CRI; 3419K CCT



VERTICAL ANGLE	HORIZONTAL ANGLE			ZONAL LUMENS
	0°	45°	90°	
0	9954	9954	9954	
5	9466	9392	9386	899
15	5533	5584	5550	1565
25	1726	1843	1812	838
35	513	540	550	337
45	243	265	262	199
55	151	172	156	145
65	83	93	86	88
75	31	35	31	35
85	2	3	3	3
90	0	0	0	

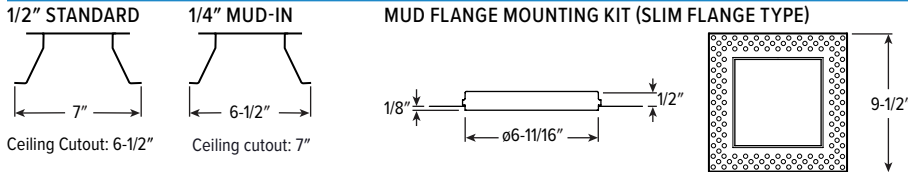
LUMEN SUMMARY	ZONE	LUMENS	% FIXTURE
	0 - 30	3301	80
	0 - 40	3638	89
	0 - 60	3981	97
	0 - 90	4107	100
	0 - 180	4107	100

## ADDITIONAL CONTROL OPTIONS

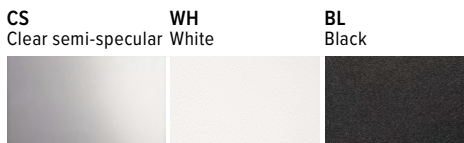
Lumen restrictions apply: L30 max for DMX driver, L30 max for Lutron drivers, L50 max for DIM LINE driver. R Mounting Type only available with DIM, DIM1, and DIM LINE controls. 347V may require stepdown transformer, see product builder at [hew.com/product-builder](http://hew.com/product-builder).

CATALOG NUMBER	DESCRIPTION
DIM	Dimming driver prewired for 0-10V low voltage applications
DIM1	1% dimming driver prewired for 0-10V low voltage applications
DIM LINE	Line voltage dimming driver (TRIAC and ELV compatible at 120V only)
DMX	0.1% dimming driver for DMX controls
LTE LINE	Lutron Hi-lume 1% 2-wire dimming driver forward phase line voltage controls (120V only)
LDE1	Lutron Hi-lume 1% EcoSystem dimming LED driver
LDE5	Lutron 5-Series 5% EcoSystem dimming LED driver
VRF/DSR	Lutron Vive integral fixture control, RF only (DFCSJ-OEM-RF) and sensor-ready driver
VRF/DBI/LDE1	Lutron Vive integral fixture control, RF only (DFCSJ-OEM-RF), Lutron Hi-lume 1% EcoSystem dimming LED driver, and digital link interface
VRF/DBI/LDE5	Lutron Vive integral fixture control, RF only (DFCSJ-OEM-RF), Lutron 5-Series 5% EcoSystem dimming LED driver, and digital link interface
FCJS/DIM	Lutron Vive PowPak wireless fixture control with dimming driver
FCJS/DIM1	Lutron Vive PowPak wireless fixture control with 1% dimming driver
ELDO SOLOB	EldoLED Solodrive, 0.1% dimming driver for 0-10V controls
ELDO SOLOB DALI	EldoLED Solodrive, 0.1% dimming driver for DALI controls
ELDO ECO1	EldoLED Ecodrive, 1% dimming driver for 0-10V controls
ELDO ECO1 DALI	EldoLED Ecodrive, 1% dimming driver for DALI controls

## FLANGE TYPE DETAILS



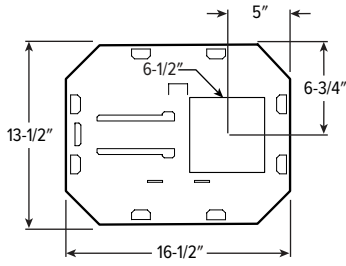
## REFLECTOR FINISH DETAILS



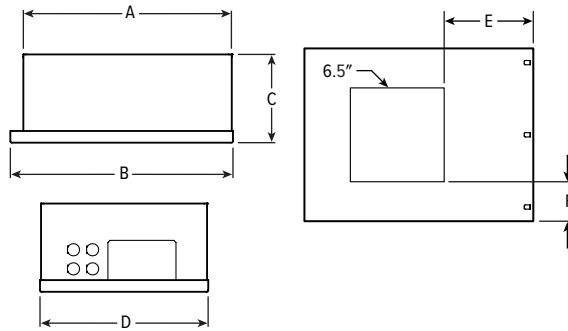
# 6PS LED 6" Shallow Plenum Downlight – Square

## MOUNTING TYPE DETAILS

### NEW CONSTRUCTION

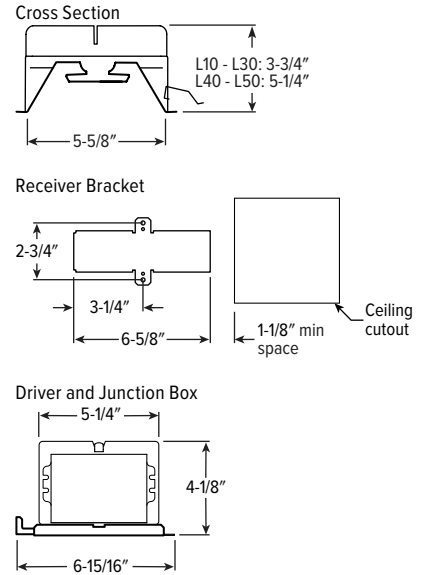


### IC-RATED

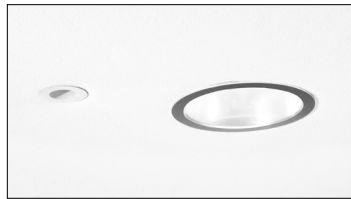


LUMENS	LENGTH					
	A	B	C	D	E	F
L10 - L20	15-3/16"	16"	4-1/2"	12-1/8"	6-1/4"	2-13/16"
L30			6-3/8"			

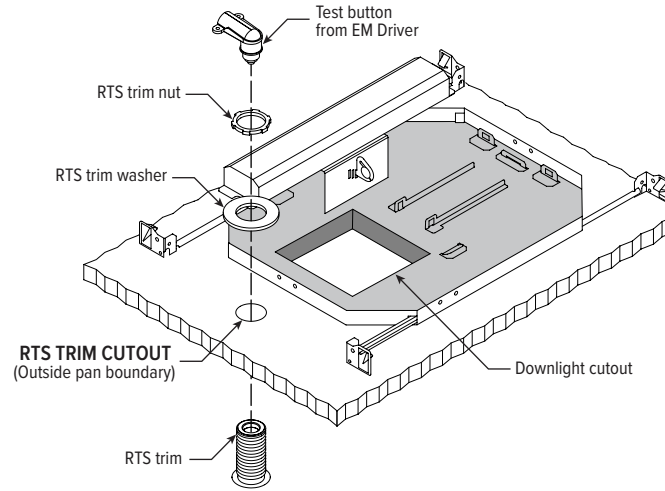
### REMODEL



## EM/10W/RTS DETAILS



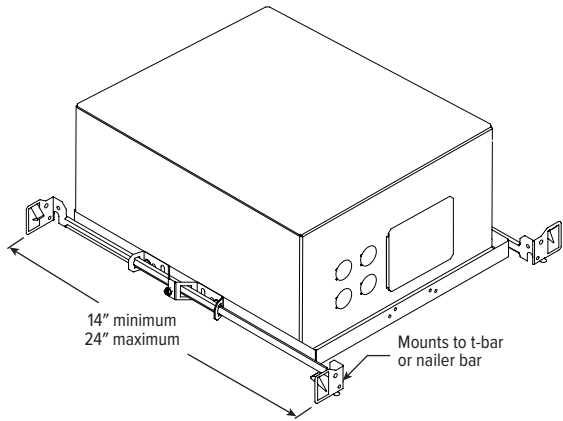
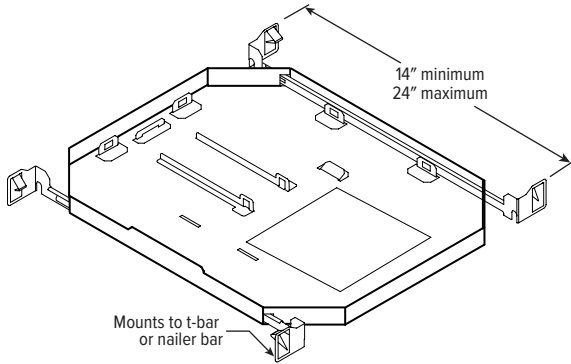
Shown Installed



# 6PS LED 6" Shallow Plenum Downlight – Square

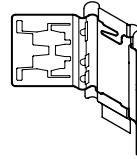
## MOUNTING HARDWARE DETAILS

**F1** Integral 2-position fixed pan bracket, universal bar hanger included

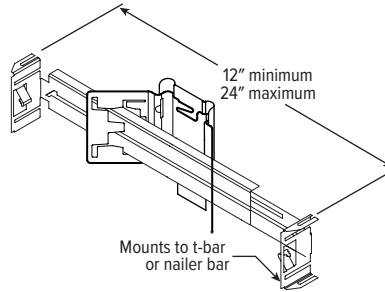


F1 with I Mounting Type

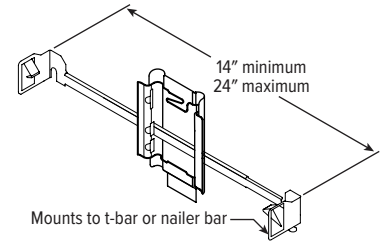
**BA1** Adjustable butterfly pan bracket, bar hanger not included (N Mounting Type only)



**BA2** Adjustable butterfly pan bracket, heavy-duty universal bar hanger included (N Mounting Type only)



**CA1** Adjustable caterpillar pan bracket, universal bar hanger included (N Mounting Type only)



**CA2** Adjustable caterpillar pan bracket, t-bar hanger included (N Mounting Type only)

