

## 4-Point Mounting

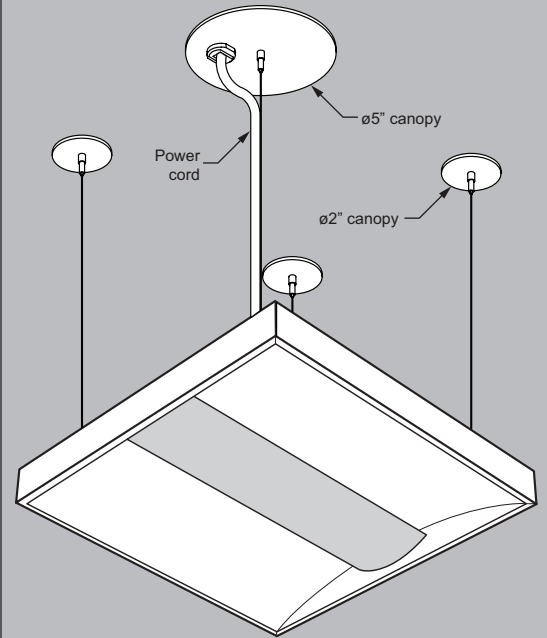
### COMPATIBLE FIXTURES

- RNDP-4
- 11
- 12
- 14
- 15
- 16
- ATS1
- ATS2
- ATS3
- AVX
- DIS
- DISHS
- DSPS
- HES
- PTS
- SPS
- SU3

### ORDERING INFORMATION

EXAMPLE: ACF*4P/D48		
MOUNTING	TYPE	LENGTH
ACF*4P = Adjustable Aircraft Cable	D = 1" grid & hardpan N = 9/16" grid S = Slot grid	24 = 24"
		48 = 48"
		96 = 96"
		144 = 144"
		192 = 192"
		240 = 240"
		300 = 300"

Fixtures are provided with adjustable length aircraft cables and mounting hardware, must specify. See [Technical Info](#) for cord details.



**Note:** ø5" canopy used at power feed location.  
Other suspension points use ø2" canopy.

## 3-Point Mounting

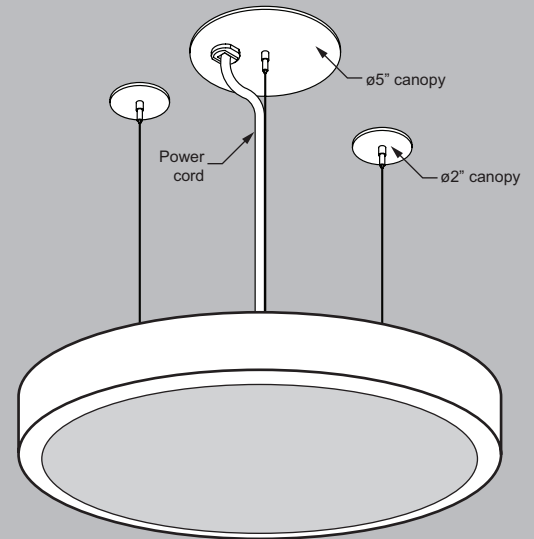
### COMPATIBLE FIXTURES

- RNDP-2
- RNDP-3

### ORDERING INFORMATION

EXAMPLE: ACF*3P/D48		
MOUNTING	TYPE	LENGTH
ACF*3P = Adjustable Aircraft Cable	D = 1" grid & hardpan N = 9/16" grid S = Slot grid	24 = 24"
		48 = 48"
		96 = 96"
		144 = 144"
		192 = 192"
		240 = 240"
		300 = 300"

Fixtures are provided with adjustable length aircraft cables and mounting hardware, must specify. See [Technical Info](#) for cord details.



**Note:** ø5" canopy used at power feed location.  
Other suspension points use ø2" canopy.

