

CATALOG #: _____ TYPE: _____

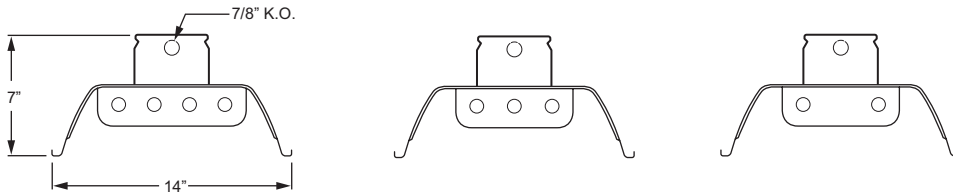
PROJECT: _____ NOTES: _____

EXAMPLE **82 - 4 - 2 54T5H - OPTIONS - EB2 - UNV**

SERIES NOMINAL LENGTH TOTAL LAMPS WATTAGE/TYPE OPTIONS/ACCESSORIES BALLAST TYPE VOLTAGE



FEATURES



ORDERING INFORMATION

| SERIES | |
|--------|---------------------------|
| 82 | Premium Turret Industrial |

| NOMINAL LENGTH | |
|----------------|----|
| 4 | 4' |
| 8 | 8' |

| TOTAL LAMPS | |
|------------------|-----------------------------------|
| 2, 3, 4, 6, or 8 | (2-, 3-, or 4-lamp cross-section) |

| LAMP WATTAGE/TYPE | |
|-------------------|--------------------------------------|
| 28T5S | 4', 28-watt T5 (2-lamp ballast only) |
| 32 | 4', 32-watt T8 |
| 54T5H | 4', 54-watt T5HO |
| 59 | 8', 59-watt T8 (2-lamp ballast only) |
| 86 | 8', 86-watt T8 (2-lamp ballast only) |

| OPTIONS/ACCESSORIES | |
|---|--|
| See Technical Info for generic EM ballast options (must specify voltage). | |
| See back for mounting and accessory details. | |
| CT | Closed top reflector |
| RA-82 | Steel reflector row aligner (1 pair) |
| ML-4 | 48" metal louver (T5 and T5HO only) |
| ML-5 | 50" metal louver (T8 only) |
| M4-A12125 | 48" metal frame with pattern #12 lens (T5 and T5HO only) |
| M5-A12125 | 50" metal frame with pattern #12 lens (T8 only) |

| OPTIONS/ACCESSORIES (Continued) | |
|---------------------------------|--------------------------------------|
| EP-82 | Reflector end plate (1 pair) |
| MSA | Myers sway adapter |
| T2 | Tong hanger |
| 325 | 1-1/2" ceiling spacer |
| GAT | GAT fastener (T-bar clip) |
| VBY | (2) Y-hangers |
| VBY-2 | (2) Y-hangers and (2) 2' chains |
| WG-8211 | 11-gauge white powder coat wireguard |
| WG-8214 | 14-gauge white powder coat wireguard |

| BALLAST TYPE | |
|--------------|--|
| EB2 | 2-lamp electronic ballast |
| EB3 | 3-lamp electronic ballast |
| EB4 | 4-lamp electronic ballast |
| EB2/2 | (2) 2-lamp electronic ballasts |
| EB3/3 | (2) 3-lamp electronic ballasts |
| EB4/2 | (1) 4-lamp and (1) 2-lamp electronic ballast |
| EB4/4 | (2) 4-lamp electronic ballasts |
| EB2/2/2 | (3) 2-lamp electronic ballasts |

| VOLTAGE | |
|---------|------------------|
| 120 | 120V |
| 277 | 277V |
| UNV | 120-277V |
| 347 | 347V |
| 480 | 480V (T5HO only) |

FEATURES

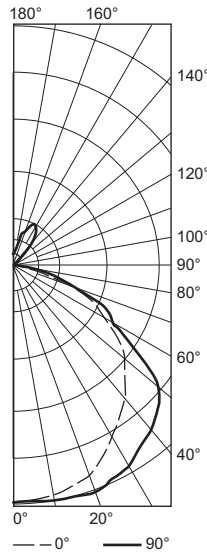
- ▶ Up to 95.5% optical efficiency.
- ▶ Heavy-duty ribbed reflector with uplight component—illuminates the ceiling for increased efficiency.
- ▶ Spring-loaded, turret style sockets enclosed in heavy-duty steel housing.
- ▶ Hinging/locking lamp bracket reduces installation time.
- ▶ Two heavy-duty, spring-loaded quarter-turn fasteners secure reflector to housing.
- ▶ Channel connector and clear polycarbonate reflector aligners furnished for continuous row applications (8' unit only).
- ▶ Ballast(s) secured by two captive bolts and nuts to ensure a tight, reliable fit for maximum heat dissipation.
- ▶ This fixture is proudly made in the USA.

PHOTOMETRY

82-4-254T5H-EBZ Report #: 15226.0; 02/08/10; Lamp Type: FP54T5H0/835 Lamp Quantity: 2
 Total Luminaire Optical Efficiency: 95.5% | Effective Floor Cavity Reflectance = .20 | Spacing Criteria: End = 1.2, Diagonal = 1.4, Across = 1.4

SPECIFICATIONS

- Housing** – 20-gauge die-formed, ribbed C.R.S.
- Reflector** – 22-gauge die-formed, ribbed C.R.S. 10% typical upright component with 92% minimum average reflective white polyester powder coated finish.
- Finish** – 92% minimum average reflective white polyester powder coat bonded to phosphate-free, multi-stage pretreated metal. All parts painted after fabrication to facilitate installation, increase efficiency, and inhibit corrosion.
- Electrical** – Electronic ballast standard, instant start T8, program start T5, rated Class P.
- Mounting** – Surface or suspended (see options in ordering information).
- Labels** – UL/CUL listed as fluorescent luminaire suitable for dry or damp locations.

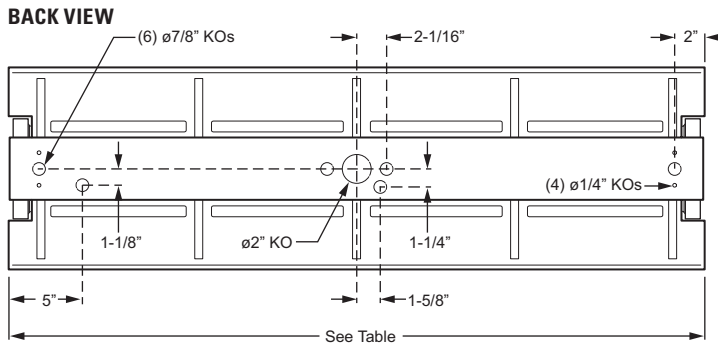


| Vertical Angle | Horizontal Angle | | | Zonal Lumens |
|----------------|------------------|------|------|--------------|
| | 0° | 45° | 90° | |
| 0 | 2673 | 2673 | 2673 | |
| 5 | 2649 | 2657 | 2664 | 253.6 |
| 15 | 2567 | 2630 | 2691 | 745.4 |
| 25 | 2396 | 2564 | 2655 | 1176.5 |
| 35 | 2093 | 2367 | 2497 | 1468.7 |
| 45 | 1763 | 2138 | 2308 | 1627.0 |
| 55 | 1442 | 1890 | 1685 | 1567.4 |
| 65 | 990 | 1154 | 1156 | 1139.0 |
| 75 | 501 | 578 | 316 | 520.4 |
| 85 | 109 | 134 | 93 | 139.4 |
| 90 | 19 | 48 | 30 | |
| 95 | 5 | 32 | 21 | 30.8 |
| 105 | 14 | 33 | 131 | 64.1 |
| 115 | 35 | 21 | 27 | 53.4 |
| 125 | 63 | 117 | 30 | 109.1 |
| 135 | 77 | 326 | 148 | 178.0 |
| 145 | 105 | 463 | 436 | 232.0 |
| 155 | 121 | 392 | 512 | 162.6 |
| 165 | 143 | 265 | 372 | 72.9 |
| 175 | 136 | 140 | 146 | 13.4 |
| 180 | 127 | 127 | 127 | |

| Zone | Lumens | % Lamp | % Fixture |
|----------|--------|--------|-----------|
| 0 - 30 | 2176 | 21.8 | 22.8 |
| 0 - 40 | 3644 | 36.4 | 38.1 |
| 0 - 60 | 6839 | 68.4 | 71.6 |
| 0 - 90 | 8638 | 86.4 | 90.4 |
| 90 - 120 | 148 | 1.5 | 1.6 |
| 90 - 130 | 257 | 2.6 | 2.7 |
| 90 - 150 | 667 | 6.7 | 7 |
| 90 - 180 | 916 | 9.2 | 9.6 |
| 0 - 180 | 9554 | 95.5 | 100.0 |

| ROOM CAVITY RATIO | | | | | | | | | | |
|-------------------|------|------|------|------|------|------|------|------|------|-----|
| Ceiling | .80 | | | .70 | | | .50 | | | |
| | Wall | .70 | .50 | .30 | .70 | .50 | .30 | .50 | .30 | .10 |
| 0 | 1.12 | 1.12 | 1.12 | 1.08 | 1.08 | 1.08 | 1.01 | 1.01 | 1.01 | |
| 1 | 1.03 | .98 | .94 | .99 | .95 | .92 | .90 | .87 | .84 | |
| 2 | .94 | .86 | .80 | .90 | .84 | .78 | .79 | .74 | .70 | |
| 3 | .86 | .76 | .69 | .83 | .74 | .67 | .70 | .64 | .60 | |
| 4 | .78 | .67 | .59 | .76 | .66 | .58 | .62 | .56 | .51 | |
| 5 | .71 | .59 | .51 | .69 | .58 | .50 | .55 | .48 | .43 | |
| 6 | .65 | .53 | .44 | .63 | .51 | .44 | .49 | .42 | .37 | |
| 7 | .60 | .47 | .39 | .58 | .46 | .38 | .44 | .37 | .32 | |
| 8 | .55 | .42 | .34 | .53 | .41 | .33 | .39 | .32 | .27 | |
| 9 | .51 | .38 | .30 | .49 | .37 | .29 | .35 | .28 | .23 | |
| 10 | .47 | .34 | .27 | .45 | .33 | .26 | .32 | .25 | .21 | |

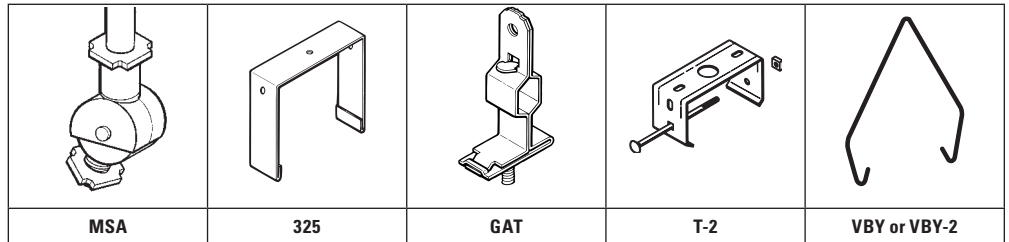
FIXTURE DETAILS



| NOMINAL SIZE | UNIT LENGTH |
|--------------|-------------|
| 4' T5 | 48" |
| 4' T8 | 49-7/8" |
| 8' T5 | 96" |
| 8' T8 | 99-7/8" |

Note: 8' fixture uses (2) 4' reflectors

MOUNTING OPTIONS



ACCESSORIES

