

8DR tunable COLOR 8" Downlight – Round

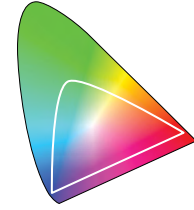
FIXTURE PERFORMANCE DATA

	DIST.	COLOR	DELIVERED LUMENS	WATTAGE	EFFICACY (lm/W)
L10	W	4000K	1084	27.5	39.4
		RED	135	5.3	25.5
		BLUE	38	6.2	6.1
		GREEN	487	9.2	52.9
	M	4000K	1074	27.5	39.1
		RED	134	5.3	25.3
		BLUE	38	6.2	6.1
		GREEN	482	9.2	52.4
	N	4000K	984	27.5	35.8
		RED	123	5.3	23.2
		BLUE	35	6.2	5.6
		GREEN	442	9.2	48.0
L16	W	4000K	1672	45.9	36.4
		RED	203	8.8	23.1
		BLUE	57	10.4	5.5
		GREEN	730	15.3	47.7
	M	4000K	1611	45.9	35.1
		RED	201	8.8	22.8
		BLUE	57	10.4	5.5
		GREEN	723	15.3	47.3
	N	4000K	1476	45.9	32.2
		RED	184	8.8	20.9
		BLUE	52	10.4	5.0
		GREEN	662	15.3	43.3

MULTIPLIER TABLES

WHITE CONVERSION FACTOR		
CCT	LUMENS	WATTS
2000K	0.54	0.50
2700K	0.81	0.69
3000K	0.91	0.79
3500K	0.93	0.91
4000K	1.00	1.00
5000K	0.83	0.84
6000K	0.64	0.67
8000K	0.48	0.57

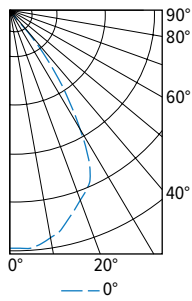
REFLECTOR FINISH	
CATALOG NUMBER	CONVERSION FACTOR
CS	1.00
SG ¹	0.92
GD	0.93
CG	0.96
PW	0.86
SPC	1.02
RG	0.88
WH ¹	0.89
BL ¹	0.47



- Distribution will also be affected, consult factory.
- Photometrics tested in accordance with IESNA LM-79. Results shown are based on 25°C ambient temperature.
- Wattage shown is based on 120V input.
- Actual lumens may vary +/-5%
- Use multiplier tables to calculate additional options.

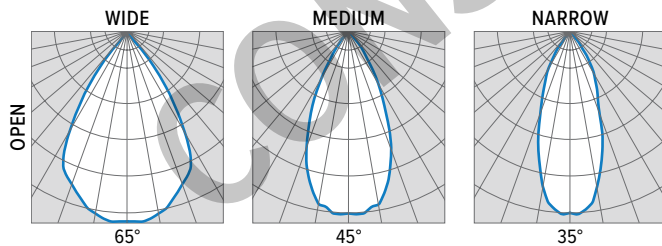
PHOTOMETRY

8DR-L16/9TC-OW-CS Total Luminaire Output: 1672 lumens; 45.9 Watts | Efficacy: 36 lm/W | 90 CRI; 4000K CCT

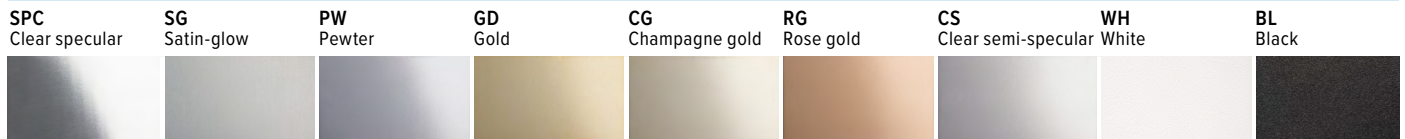


CANDLE POWER DISTRIBUTION	VERTICAL ANGLE	HORIZONTAL ANGLE	ZONAL LUMENS
		0°	
	0	1635	
	5	1645	154
	15	1500	422
	25	1297	581
	35	641	399
	45	100	92
	55	13	13
	65	7	7
	75	3	3
	85	1	1
	90	0	

LUMEN SUMMARY	ZONE	LUMENS	% FIXTURE
	0 - 40	1556	93
	0 - 60	1661	99
	0 - 90	1672	100
	0 - 180	1672	100

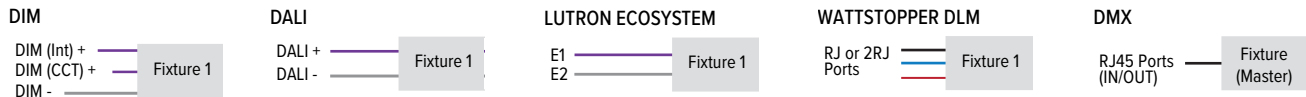


REFLECTOR FINISH DETAILS



8DR tunable COLOR 8" Downlight – Round

CONTROL DETAILS

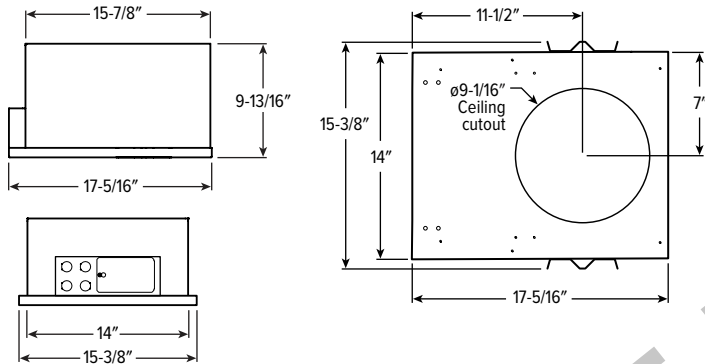


PROTOCOL	(1) DIMMING ^[1]	(2) CCT	(3) SATURATION	(4) HUE
0-10V DIM ^[4]	1%	1650 - 8000K	[2]	[2]
DALI TYPE 8	0.1%	1650 - 8000K	-	-
LUTRON ECOSYSTEM ^[3]	0.1%	1650 - 8000K	-	-
WATTSTOPPER DLM ^[3]	0.1%	1650 - 8000K	-	-
DMX512-A-RDM ^[3]	0.1%	1650 - 8000K	1 - 100%	1 - 60°

- 100 – 0.1% dimming is available when connected to 0.1% dimming capable digital controls. 100 – 1% dimming is available with analog 0 – 10V control.
- Two 0 – 10V lines can be used to control DIM and CCT independently, or program Scenes – in any combination of DIM, CCT, HUE and SAT – and recall them with five 0 – 10V presets.
- May be limited to 1% dimming by controller; see control system specification for details.
- 1 – 10V signal dims module to approximately 1%. In-line power relay required to achieve 0% output.

MOUNTING TYPE DETAILS

Ceiling cutout 9-1/16"



MOUNTING HARDWARE DETAILS

F1 Factory-installed 2-position fixed pan bracket, universal bar hanger included, ships uninstalled

