

CATALOG #: _____

TYPE: _____

PROJECT: _____

FEATURES

- Sleek, slim architectural design provides direct or indirect light
- Slightly wrapped lens creates glowing edge and smooth illumination
- Attractive source of direct or indirect lighting for use in offices, hallways, conference rooms and medical facilities
- Made Right Here® in the USA

SPECIFICATIONS

- HOUSING – Extruded aluminum.
- SHIELDING – Frosted acrylic lens.
- FINISH – Matte, smooth silver sparkle standard. All other colors default to textured finish. Polyester powder coat bonded to phosphate-free, multi-stage pretreated metal. All parts painted after fabrication to facilitate installation, increase efficiency, and inhibit corrosion.
- ELECTRICAL – High quality mid-power LED boards. L70 at 60,000 hours per IES TM-21.
- MOUNTING – Suspended. 1/16" diameter adjustable steel leveling aircraft cable and mounting hardware necessary for grid ceiling applications provided.
- LISTINGS –
 - cETLus conforms to UL STD 1598 and UL STD 8750. Certified to CAN/CSA STD C22.2 No. 250.0. Suitable for damp locations.
- WARRANTY – 5-year limited warranty, see hew.com/warranty.

ORDERING EXAMPLE: AX2U - 4 - L33/835 - S - AC/D48 - OPTIONS - DIM - UNV

ORDERING INFO

SERIES	LENGTH	LUMENS ^[1]	CRI	CCT	FIXTURE TYPE
AX2D Down	2 2'	2'	8 80	27 2700K	F Electrical feeder unit ^[3]
AX2U Up	4 4'	L16 1,600lm	9 90 ^[2]	30 3000K	J Joiner unit ^[4]
	8 8'	4'		35 3500K	S Stand-alone unit ^[5]
		L33 3,300lm		40 4000K	
		8'		50 5000K	
		L66 6,600lm			

MOUNTING (EXAMPLE: AC/D48) ^[6]

Prefix	Type	Length
AC/	D 1" grid & hardpan	24 24"
	N 9/16" grid	48 48"
	S Slot grid	96 96"

OPTIONS ^[7]

EM/10WRM	C2_ (L_)
Remote mount 10-watt emergency battery	Two-circuit quick-connect wiring harness. ^[8]
	Additional lower lumen packages available. ^[9]
	Example: 2,500 nominal lumens = AX2U-4-L33/835-S-(L25)

CONTROL ^[10]

DRV	DIM	VOLTAGE
Non-dimming driver		120 120V
Dimming driver		277 277V
		UNV 120-277V

NOTES

- ¹ Lumens based on 3500 CCT. Actual lumens may vary +/-5%. Additional lumen packages available, see options.
- ² Extended lead times may apply. Consult factory for availability
- ³ 3-conductor straight white cord standard. Wire gauge to be determined by row length, quick-connect wiring harness, two end plates, field installed.
- ⁴ No cord, quick-connect wiring harness, no end plates.
- ⁵ 3-conductor straight white cord standard, two end plates installed
- ⁶ See page 2 for MOUNTING DETAILS.
- ⁷ See page 3 for FINISH OPTIONS.
- ⁸ See page 3 for QUICK CONNECT OPTIONS.
- ⁹ Specify in increments of 100 nominal lumens. Option must be specified with next higher lumen package.
- ¹⁰ See page 3 for ADDITIONAL CONTROL OPTIONS.



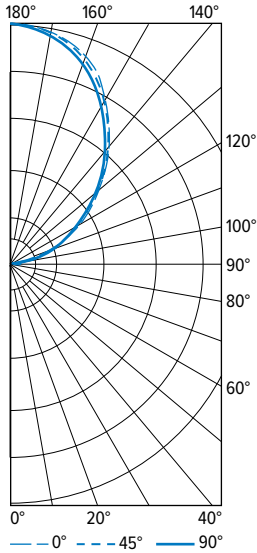
AX2 LED 2" Suspended Architectural

WATTAGE DETAILS

LED PACKAGE	
UP	DOWN
L16	L16
L24	L24
L33	L33
L50	L50
L66	L66

PHOTOMETRY

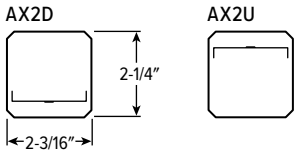
AX2U-4-L33/835-S-DIM-UNV Report #: 18753.0; 03/11/15 | Total Luminaire Output: 3248 lumens; 41.6 Watts | Efficacy: 78.2 lm/W | 84 CRI; 3483K CCT



VERTICAL ANGLE	HORIZONTAL ANGLE			ZONAL LUMENS
	0°	45°	90°	
0	0	0	0	
5	0	0	0	0
15	0	0	0	0
25	0	0	0	0
35	0	0	0	0
45	0	0	11	2
55	0	8	19	8
65	0	13	28	13
75	0	20	40	21
85	1	26	47	27
90	9	37	63	
95	40	68	97	75
105	168	179	205	195
115	331	328	334	332
125	523	513	492	463
135	725	706	686	553
145	927	918	887	576
155	1123	1104	1082	511
165	1237	1229	1208	348
175	1293	1294	1288	124
180	1304	1304	1304	

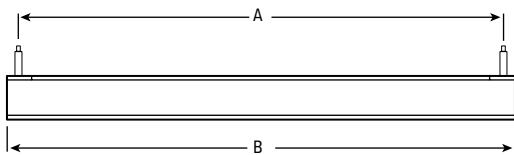
ZONE	LUMENS	% FIXTURE
0 - 30	0	0
0 - 40	0	0
0 - 60	10	0
0 - 90	71	2
90 - 120	603	19
90 - 150	2194	68
90 - 180	3177	98
0 - 180	3248	100

CROSS SECTIONS



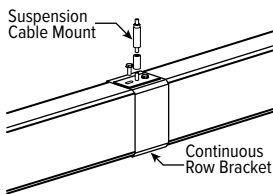
MOUNTING DETAILS

SIDE VIEW



NOMINAL LENGTH	MOUNTING LENGTH (A)	ACTUAL LENGTH (B)
2'	24-5/8"	25-7/8"
4'	46-13/16"	48-1/16"
8'	89-7/8"	91-1/8"

CONTINUOUS ROW FIXTURES

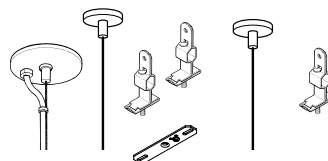


When row mounting fixtures, joint between fixtures will be visible at 4' or 8' intervals depending on fixture length.

STANDARD HARDWARE (Grid & Hardpan)

FEEDER/STAND-ALONE

JOINER



- Fixtures are provided with adjustable length aircraft cables and mounting hardware, must specify.
- Electrical supply is brought into the feeder fixture, either as part of a row or as a stand-alone unit. Joiner fixtures complete the row.
- The feeder kits are standard with a 5" canopy to cover the junction box and a 2" canopy at the non-feed point. No J-box is required at non-feed points.



AX2 LED 2" Suspended Architectural

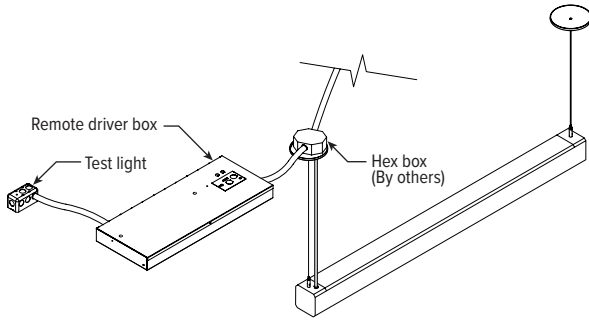
ADDITIONAL CONTROL OPTIONS

Note: Lumen restrictions apply, consult product builder at hew.com/product-builder.

CATALOG NUMBER	DESCRIPTION
DRV	Driver prewired for non-dimming applications
DIM	Dimming driver prewired for 0-10V low voltage applications
DIM1	1% dimming driver prewired for 0-10V low voltage applications
DIM LINE	Line voltage dimming driver (TRIAC and ELV compatible, 120V only)
DIM TRC	Line voltage dimming driver (TRIAC compatible, 120V or 277V only)
SD40	40% step-dimming driver
SD50	50% step-dimming driver
DALI	DALI dimming driver
LTE LINE	Lutron Hi-lume 1% 2-wire dimming driver forward phase line voltage controls (120V only)
LDE1	Lutron Hi-lume 1% EcoSystem dimming LED driver
LDE5	Lutron 5-Series 5% EcoSystem dimming LED driver
ELDO SOLOB	EldoLED Solodrive, 0.1% dimming driver for 0-10V controls
ELDO SOLOB DALI	EldoLED Solodrive, 0.1% dimming driver for DALI controls
ELDO ECO1	EldoLED Ecodrive, 1% dimming driver for 0-10V controls
ELDO ECO1 DALI	EldoLED Ecodrive, 1% dimming driver for DALI controls

FIXTURE DETAILS

EM/10W REMOTE



FINISH OPTIONS

SILVER SPARKLE WHITE BLACK BRONZE NICKEL ALUMINUM



For custom color, please specify RAL code or a manufacturer code with description. All custom colors other than RAL require two sample swatches, minimum 1" square.

QUICK CONNECT OPTIONS

Note: Quick connect wiring required for row mounting. Length restrictions may apply, consult product builder at hew.com/product-builder.

DESIGNATION	NUMBER OF WIRES (EXCLUDING GROUND)	WIRE COLORS	WIRE COLOR/POWER SUPPLY FACTORY CONNECTIONS	TYPICAL USE
C2B	3	White, Black, Red	White, Black	Alternating Circuits
C2BR	3	White, Black, Red	White, Black, Red	ON/OFF Switching (DRV) or Line Voltage dimming (DIM LINE) when equipped w/EM Power Supply (EM/10W)
C2R	3	White, Black, Red	White, Red	Alternating Circuits
C2BW/RV	5	White, Black, Red, Gray, Green	White, Black/Red, Gray	0-10V 4-wire Low Voltage Dimming (DIM)

