

CATALOG #: _____

TYPE: _____

PROJECT: _____

FEATURES

- Contoured housing, end caps and louver provide an attractive source of direct lighting
- Design elements on side panels add interest while producing subtle uplight
- Design elements on side panels add interest while producing subtle uplight
- Moveable mounting hardware slides easily along the length of the fixture providing variable mounting points
- Heavy-duty construction features extruded aluminum housing and die-cast end caps
- Contoured aluminum louvers improve aesthetics while shielding LEDs from view
- White louver finish improves fixture efficiency
- Made Right Here® in the USA

SPECIFICATIONS

- HOUSING** – Extruded aluminum with die-cast end caps.
- SHIELDING** – Highly reflective white curved baffle louver with matte white acrylic overlay.
- FINISH** – Textured matte white polyester TGIC powder coat bonded to phosphate-free, multi-stage pretreated metal. All parts painted after fabrication to facilitate installation, increase efficiency, and inhibit corrosion.
- ELECTRICAL** – High quality mid-power LED boards. L70 at 50,000 hours.
- MOUNTING** – Suspended. 1/16" diameter x 24" adjustable steel leveling aircraft cable and mounting hardware necessary for grid ceiling applications provided.
- LABELS** – cCSAus certified as luminaire suitable for dry or damp locations.
- WARRANTY** – 5-year limited warranty, see hew.com/warranty.

IMPORTANT

Electrostatic sensitive unit. Observe precautions when handling.

ORDERING EXAMPLE: AXA - 4 - L14/835 - LVRS - AC/D48 - OPTIONS - DIM - UNV

ORDERING INFO

SERIES	NOMINAL LENGTH	LUMENS ⁽¹⁾	CRI	CCT
AXA	Stand-alone: 4' & 8' nominal lengths, fixture ships assembled	L8 800	8 80	27 2700K
	Example: 4 = 4'	L14 1,400		30 3000K
	Row-mount: Lengths specified in 4' increments			35 3500K
	Example: 12 = 12'			40 4000K
	Product Builder			50 5000K

Simplify ordering & layout design with the Williams Linear Product Builder at hew.com

SHIELDING ⁽²⁾	MOUNTING (EXAMPLE: AC/D48) ⁽³⁾	OPTIONS ⁽⁴⁾
LVRS Slotted uplight (3%)	Prefix Type Length D 1" grid & hardpan 24 24"	EM/10W REMOTE Remote mount emergency battery ⁽⁵⁾
LVRD Linear dot uplight (3%)	AC/ N 9/16" grid 48 48"	EM/10WLP Low-profile 10-watt emergency battery ⁽⁶⁾
LVRC Closed side panels	S Slot grid 96 96"	(L__) Additional lower lumen packages available. Specify in increments of 100 nominal lumens. Option must be specified with <i>next</i> higher lumen package. Example: 1,000 nominal lumens = AXA-4-L14/835-LVRS-(L10).
		C2_ Two-circuit quick-connect wiring harness

CONTROL ⁽⁷⁾	VOLTAGE
DRV Non-dimming driver	120 120V
DIM Dimming driver	277 277V
	UNV 120-277V

NOTES

- Nominal lumens per foot output based on 3500 CCT. Actual lumens may vary +/-5%, see page 2 for FIXTURE PERFORMANCE DATA. Additional lumen packages available, see options.
- See page 3 for FIXTURE STYLES.
- See page 3 for MOUNTING DETAILS.
- See page 2 for FINISH OPTIONS.
- 4' only, see page 2 for FIXTURE DETAILS.
- 8' only.
- See page 3 for ADDITIONAL DRIVER OPTIONS.



AXA LED Architectural Contoured Louver

FIXTURE PERFORMANCE DATA

	LED PACKAGE/FOOT	DELIVERED LUMENS	WATTAGE	EFFICACY (lm/W)
4'	L8	3130	30.4	102.8
	L14	5437	50.9	106.8
8'	L8	6181	59.4	104.0
	L14	10875	101.8	106.8

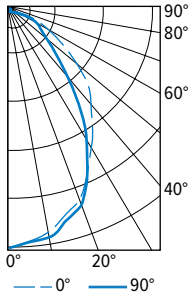
MULTIPLIER TABLE

COLOR TEMPERATURE	
CCT	CONVERSION FACTOR
2700K	0.97
3000K	0.99
3500K	1.00
4000K	1.03
5000K	1.06

- Photometrics tested in accordance with IESNA LM-79. Results shown are based on 25°C ambient temperature.
- Wattage shown is average for 120V through 277V input.
- Results based on 3500K, 80 CRI, actual lumens may vary +/-5%
- Use multiplier table to calculate additional options.

PHOTOMETRY

AXA-4-L14/835-LVRS-DIM-UNV Total Luminaire Output: 5645 lumens; 53.8 Watts | Efficacy: 104.9 lm/W

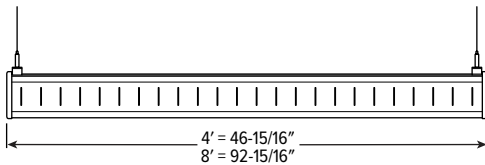


CANDLEPOWER DISTRIBUTION	VERTICAL ANGLE	HORIZONTAL ANGLE			ZONAL LUMENS
		0°	45°	90°	
	0	2640	2640	2640	
5	2572	2577	2590	245	
15	2371	2392	2446	675	
25	2037	2048	2126	957	
35	1694	1687	1759	1069	
45	1375	1334	1373	1023	
55	932	861	819	773	
65	546	462	401	466	
75	233	199	186	225	
85	67	61	65	74	
90	6	17	23		
95	0	13	19	14	
105	2	14	22	16	
115	7	22	24	19	
125	10	26	28	20	
135	17	30	31	21	
145	24	31	31	19	
155	28	34	35	15	
165	32	41	41	11	
175	36	36	34	3	
180	34	34	34		

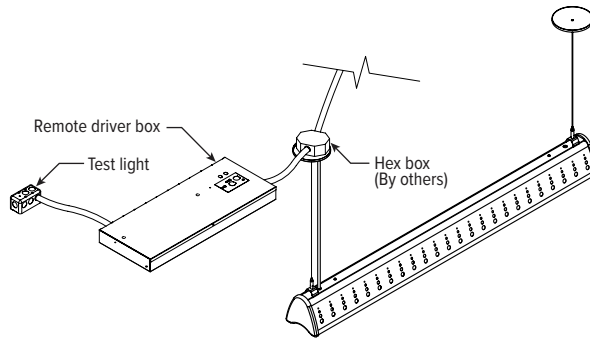
LUMEN SUMMARY	ZONE	LUMENS	% FIXTURE
	0 - 30	1876	33
	0 - 40	2946	52
	0 - 60	4741	84
	0 - 90	5506	98
	90 - 130	70	1
	90 - 150	110	2
	90 - 180	139	3
	0 - 180	5645	100

FIXTURE DETAILS

SIDE VIEW

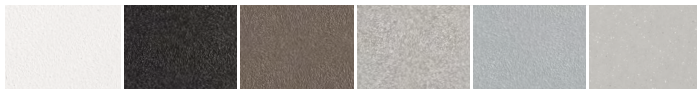


EM/10W REMOTE



FINISH OPTIONS

WHITE BLACK BRONZE NICKEL SILVER ALUMINUM



For custom color, please specify RAL code or a manufacturer code with description. All custom colors other than RAL require two sample swatches, minimum 1" square.



ADDITIONAL CONTROL OPTIONS

Note: Lumen restrictions apply, consult product builder at hew.com/product-builder.

CATALOG NUMBER	DESCRIPTION
DRV	Driver prewired for non-dimming applications
DIM	Dimming driver prewired for 0-10V low voltage applications
DIM1	1% dimming driver prewired for 0-10V low voltage applications
DIM LINE	Line voltage dimming driver (TRIAC and ELV compatible, 120V only)
DIM TRC	Line voltage dimming driver (TRIAC compatible, 120V or 277V only)
SD40	40% step-dimming driver
SD50	50% step-dimming driver
DALI	DALI dimming driver
LTE LINE	Lutron Hi-lume 1% 2-wire dimming driver forward phase line voltage controls (120V only)
LDE1	Lutron Hi-lume 1% EcoSystem dimming LED driver
LDE5	Lutron 5-Series 5% EcoSystem dimming LED driver
ELDO SOLOB	EldoLED Solodrive, 0.1% dimming driver for 0-10V controls
ELDO SOLOB DALI	EldoLED Solodrive, 0.1% dimming driver for DALI controls
ELDO ECO1	EldoLED Ecodrive, 1% dimming driver for 0-10V controls
ELDO ECO1 DALI	EldoLED Ecodrive, 1% dimming driver for DALI controls

FIXTURE STYLES

LVRS



LVRD

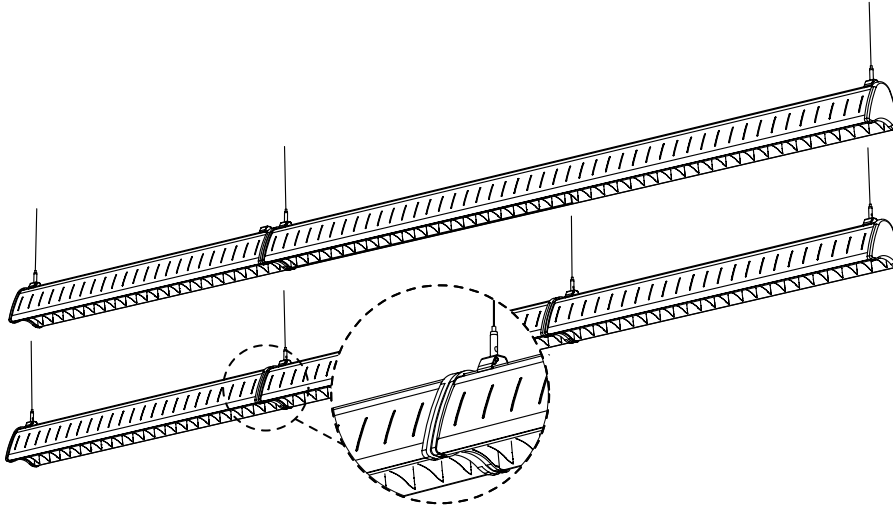


LVRC



CONTINUOUS ROW FIXTURES

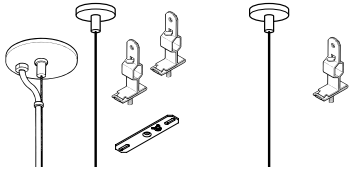
When row mounting fixtures, joint between fixtures will be visible at 4' and 8' intervals depending on fixture length.



AXA LED Architectural Contoured Louver

MOUNTING DETAILS

STANDARD HARDWARE (Grid & Hardpan)



FEEDER/STAND-ALONE

JOINER

- Fixtures are provided with adjustable length aircraft cables and mounting hardware, must specify.
- Electrical supply is brought into the feeder fixture, either as part of a row or as a stand-alone unit. Joiner fixtures complete the row.
- The feeder kits are standard with a 5" canopy to cover the junction box and a 2" canopy at the non-feed point. No J-box is required at non-feed points.

AIRCRAFT CABLE



Mounting brackets can be positioned anywhere along the length of the fixture housing. It is recommended to locate mounting brackets no more than 8" away from the end plates of the fixture.

