

CATALOG #: _____

TYPE: _____

PROJECT: _____

FEATURES

- Compact, low profile design
- Choice of three finishes
- UV-stabilized ultra-clear acrylic edgemit panel provides consistent, uniform illumination
- Available as full-time AC powered unit or emergency unit with battery backup
- EM unit provides 90 minutes of emergency operation
- Ultra-bright, energy-efficient, long-life LEDs in red or green
- Fully automatic solid-state two rate charger on EM unit recharges battery in 24 hours
- Charge rate/power "ON" LED indicator light and push-to-test switch for mandated code compliance testing
- Directional indicators can be installed on-site
- Custom message available
- Self-diagnostic option performs monthly, biannual, and annual tests to ensure reliable operation and meets electrical and life safety codes

ORDERING EXAMPLE: EXIT/EL - SF - R - CP - AN - AC - OPTIONS - 120

ORDERING INFO

SERIES	NUMBER OF FACES	LETTER COLOR	FACEPLATE FINISH	HOUSING COLOR	POWER OPTIONS
EXIT/EL	SF Single face	R Red	CP Clear Panel ^[1]	AN Anodized aluminum	AC AC operation
	DF Double face	G Green	MP Mirror panel WP White panel	BLK Black WHT Industry-standard white	EM AC operation with emergency backup battery

OPTIONS

OPTIONS	VOLTAGE
COPY Consult factory for custom message	D 120V/277V
DC Dual circuit ^[2]	120 120V
SDT Self-diagnostic test ^[3]	277 277V
PC2 Polycarbonate shield ^[4]	SV__ Special voltage ^[6]
WG Wireguard, white ^[5]	

SPECIFICATIONS

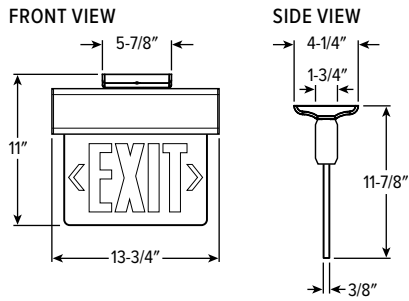
- HOUSING – Premium-grade extruded aluminum.
- ELECTRICAL – Dual 120/277 voltage standard.
- MOUNTING – Aluminum mounting canopy included for top, end or back mount.
- LISTINGS –
 - UL 924 standard as an exit light suitable for dry or damp locations (0°C - +50°C).
 - Meets NFPA 101 Life Safety Code, NEC, OSHA, Local and State Codes.
 - Certified to CEC under Title 20 Regulations.
- WARRANTY – 5-year limited warranty.

NOTES

- ¹ SF only.
- ² AC only. Must specify 120V or 277V.
- ³ EM only.
- ⁴ Wall mount only. Ships separately. See page 2 for OPTIONS DETAILS.
- ⁵ Wall mount only. Ships separately; wall mount only. See page 2 for OPTIONS DETAILS.
- ⁶ UL Listed for 208/220/240 Volt, 50/60Hz. Not available with SDT or DC.

EXIT/EL LED Edge-Lit Exit Sign

CROSS SECTIONS



ELECTRICAL INFORMATION

	INPUT WATTS (W)	INPUT AMPS (A)
120V	3.6	0.030
277V	4.0	0.020
208V	3.9	0.022
220V	3.9	0.022
240V	4.0	0.020

OPTIONS DETAILS

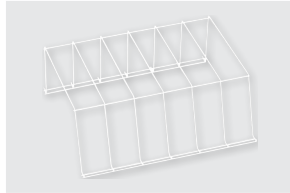
Wall mount only. Ships separately.

PC2



DIMENSIONS: 15" x 22" x 7-3/4"

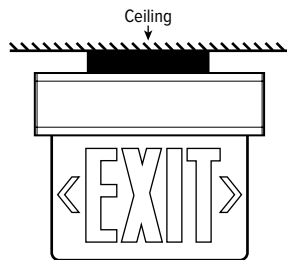
WG



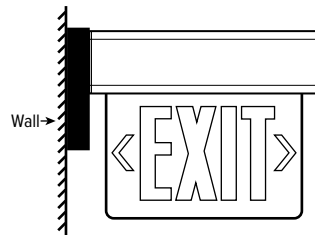
DIMENSIONS: 13-3/4" x 15-1/4" x 6"

MOUNTING DETAILS

CEILING MOUNT



SIDE MOUNT



WALL MOUNT

