

LED EXIT & LED EMERGENCY LIGHT

EXIT/EM/LED

CATALOG #:	TYPE:
PROJECT:	NOTES:

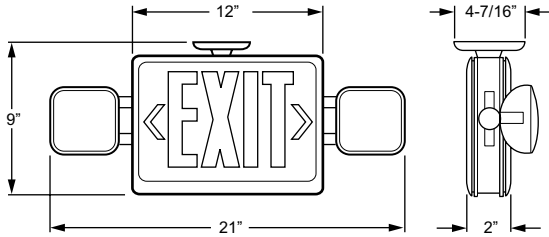
LED



EXAMPLE **EXIT/EM/LED - R - WHT - OPTIONS - D**

SERIES LETTER COLOR HOUSING COLOR OPTIONS/ACCESSORIES VOLTAGE

CROSS SECTIONS



ORDERING INFORMATION

SERIES	
EXIT/EM/LED	LED Exit & LED Emergency Light
LETTER COLOR (Must specify)	
R	Red
G	Green
HOUSING COLOR (Must specify)	
BLK	Black
WHT	Industry-standard white

OPTIONS	
COPY/SF	Custom message (consult factory), single face
COPY/DF	Custom message (consult factory), double face
RC	Remote capacity
SALIDA	Salida faceplate
HL	1.5-watt high lumen lamp heads
SDT	Self-diagnostic test

ACCESSORIES (Shipped separately)	
See back for details. Additional remote heads available, see Technical Info.	
RHL	1-watt single remote head, black or industry-standard white (RC only)
DRHL	1.5-watt dual remote head, black or industry-standard white (RC only)
WETRHL	1-watt single remote head, gray or black (RC only)
WETDRHL	1.5-watt dual remote head, gray or black (RC only)
PC2	Polycarbonate shield
WG/COMBO	Wireguard

VOLTAGE	
D	120V or 277V
SV__	Special voltage, consult factory for options

FEATURES

- ▶ Ultra-bright, energy efficient, long-life LED lamp heads and exit sign illumination.
- ▶ 1 watt per LED head.
- ▶ High-performance metalized reflector and plastic lens for optimal light distribution.
- ▶ Adjustable LED lamp heads provide optimal center-to-center spacing. Optional high-lumen heads are available for increased center-to-center spacing.
- ▶ Charge rate/power on LED indicator and built-in test switch.
- ▶ 9.6V long-life, maintenance-free, NiCd battery provides 90 minutes of emergency operation.
- ▶ Fully automatic solid-state system recharges battery in 24 hours.
- ▶ Removable directional indicators.
- ▶ Unique design allows double face conversion in the field.
- ▶ Available with industry-standard white or black housing.

LED

ELECTRICAL INFORMATION

Catalog Number	Maximum Remote Capacity (W)	Input Watts (W)		Input Amps (A)	
		120V	277V	120V	277V
EXIT/EM/LED-R	-	3.7	3.8	0.040	0.020
EXIT/EM/LED-G-RC	3	3.0	3.2	0.030	0.014
EXIT/EM/LED-R-RC	3	3.4	3.6	0.033	0.015
EXIT/EM/LED-RC-SDT	3	5.2	5.7	0.046	0.022

SPECIFICATIONS

Housing – Injection-molded, engineering-grade, 5VA flame retardant, high-impact resistant, thermoplastic.

Electrical – Universal voltage, 120 or 277 VAC operation.

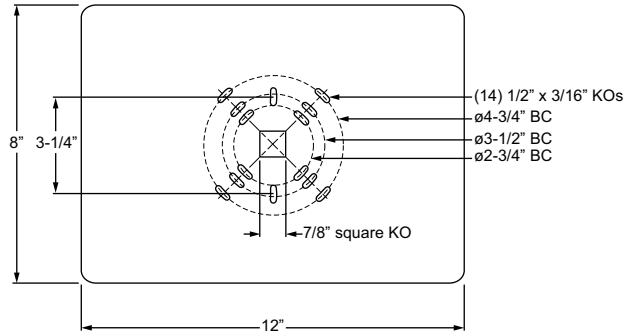
Mounting – Mounting canopy for top or end installation. Universal knockout pattern on back plate for wall mount.

Labels – Listed to UL 924 standard as an emergency/exit light suitable for dry or damp locations (0°C - 40°C). Meets NFPA 101 Life Safety Code, NEC, OSHA, Local and State Codes.

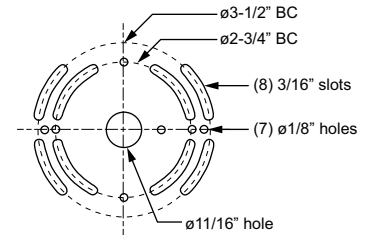
Warranty – 5-year limited warranty

FIXTURE DETAILS

WALL MOUNT BOLT CIRCLE PATTERN



MOUNTING CANOPY BOLT CIRCLE PATTERN



ACCESSORIES

RHL	DRHL	WETRHL	WETDRHL
PC2		WG/COMBO	