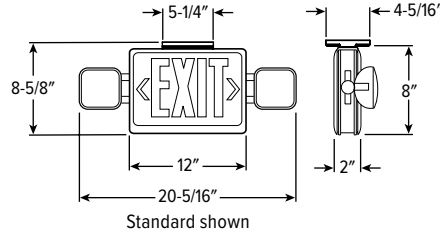




Standard shown



CATALOG #: _____

Type: _____

PROJECT: _____

FEATURES

- Remote capable unit without lamp heads when specified with NH option
- Remote capable option available
- Provides 90 minutes of emergency operation
- Ultra-bright, energy-efficient, long-life LEDs
- Adjustable heads provide optimal center-to-center spacing
- High-performance reflector and plastic lens for optimal light distribution
- Fully automatic solid-state two rate charger recharges battery in 24 hours
- Charge rate/power "ON" LED indicator light and push-to-test switch for mandated code compliance testing
- Unique design allows double face conversion in the field
- Removable directional indicators
- Self-diagnostic option performs monthly, biannual, and annual tests to ensure reliable operation and meet electrical and life safety codes

SPECIFICATIONS

- HOUSING** – Injection-molded, engineering-grade, 5VA flame retardant, high-impact resistant, thermoplastic.
- LAMP HEADS** – Chrome-plated metallized reflector and plastic lens.
- ELECTRICAL** – Dual 120/277 voltage standard. 9.6V Long life, maintenance-free, rechargeable NiCd battery. 1 watt (8 LEDs x 0.125W) per head. 3-4W remote capacity when specified with RC option. 6W remote capacity when specified with NH option.
- MOUNTING** – Mounting canopy for top or end installation. Universal knockout pattern on back plate for wall mount.
- LISTINGS** –
 - UL 924 standard as an emergency/exit light suitable for dry or damp locations (0°C to 40°C).
 - Meets NFPA 101 Life Safety Code, NEC, OSHA, Local and State Codes.
 - Certified to CEC under Title 20 Regulations.
- WARRANTY** – 5-year limited warranty.

ORDERING EXAMPLE: EXIT/EM/LED - R - WHT - OPTIONS - D

ORDERING INFO

SERIES	LETTER COLOR	HOUSING COLOR
EXIT/EM/LED	R Red G Green	WHT Industry-standard white BLK Black

OPTIONS

NH	No lamp heads. ^[1]	VOLTAGE	D 120V/277V
COPY/SF	Custom message, single face. ^[2]		
COPY/DF	Custom message, double face. ^[3]		
HL	1.5-watt high lumen lamp heads ^[4]		
RC	Remote capacity		
SALIDA	Salida faceplate ^[5]		
SDT	Self-diagnostic test		
WG/COMBO	Wireguard, white ^[6]		
WG	Wireguard, white ^[7]		
PC2	Polycarbonate shield ^[8]		

REMOTE HEADS: RHL - T - WHT - OPTIONS - MV ^[9]

SERIES	HOUSING	HOUSING COLOR	OPTIONS	VOLTAGE
RHL	Single remote head	T Thermoplastic ^[10]	WHT Industry-standard white ^[13]	HL 1.5-watt remote head, 12 LEDs
DRHL	Dual remote head	D Die-cast ^[11]	BLK Black	MV Multi-voltage ^[15]
WETRHL	Wet location single remote head	P Polycarbonate ^[12]	GRAY Gray ^[14]	
WETDRHL	Wet location dual remote head			

NOTES

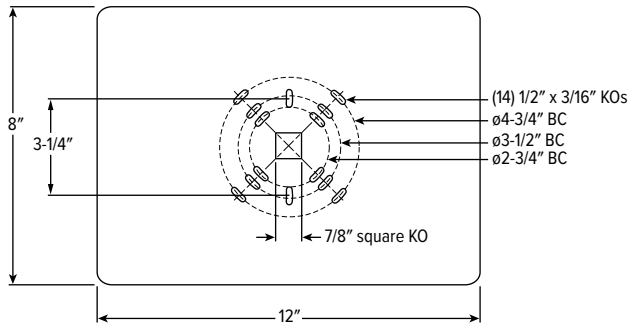
- Remote capable standard.
- Consult factory.
- Consult factory.
- Not available with NH option.
- Industry-standard white.
- Wall mount only. Ships separately. See page 2 for OPTIONS DETAILS.
- Available with NH Option only. Wall mount only. Ships separately. See page 2 for OPTIONS DETAILS.
- Wall mount only. Ships separately. See page 2 for OPTIONS DETAILS.

- Must specify RC option. Optional. Ships separately. See page 2 for REMOTE HEAD DETAILS.
- RHL and DRHL only.
- WETRHL and WETDRHL only.
- WETRHL and WETDRHL only.
- RHL and DRHL only.
- WETRHL and WETDRHL only.
- For use with 3.6V, 6V, 9.6V, or 12V batteries.

EXIT/EM/LED LED Exit & Emergency Light

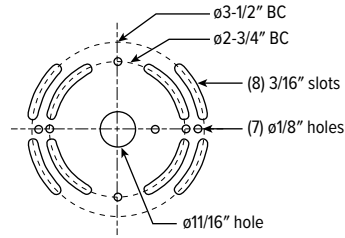
FIXTURE DETAILS

WALL MOUNT BOLT CIRCLE PATTERN

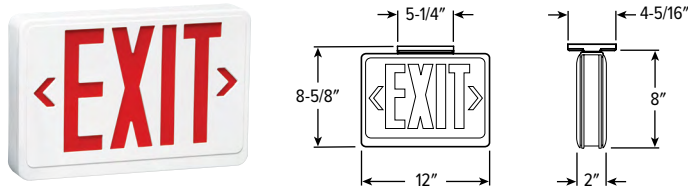


MOUNTING CANOPY BOLT CIRCLE PATTERN

Not to scale.



NH OPTION



ELECTRICAL INFORMATION

CATALOG NUMBER	INPUT WATTS (W)		INPUT AMPS (A)	
	120V	277V	120V	277V
EXIT/EM/LED-R	3.7	3.8	0.040	0.020
EXIT/EM/LED-G-RC	3.0	3.2	0.030	0.014
EXIT/EM/LED-R-RC	3.4	3.6	0.033	0.015
EXIT/EM/LED-RC-SDT	5.2	5.7	0.046	0.022

REMOTE HEAD DETAILS

RHL



DIMENSIONS: 5-7/8" X 4-7/8"

DRHL



DIMENSIONS: 8-1/2" X 5"

WETRHL



DIMENSIONS: 4-1/2" x 6-5/8"

WETDRHL



DIMENSIONS: 10-3/8" x 6-3/4"

OPTIONS DETAILS

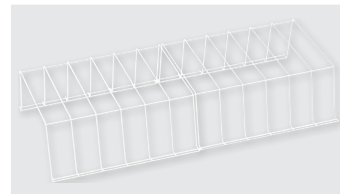
Wall mount only. Ships separately.

PC2



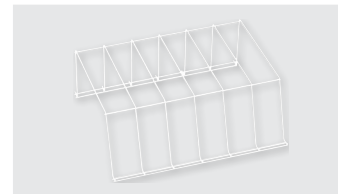
DIMENSIONS: 15" x 22" x 7-3/4"

WG/COMBO



DIMENSIONS: 13-3/4" x 30-5/8" x 6"

WG



DIMENSIONS: 13-3/4" x 15-1/4" x 6"