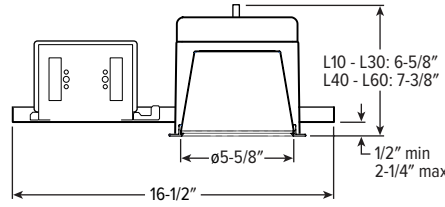


HM6DR LED 6" Cleanroom Medical Downlight – Round



CATALOG #: _____

TYPE: _____

PROJECT: _____

FEATURES

TrimLock®



- Innovative TrimLock reflector retention system ensures trim remains flush with ceiling plane
- Designed to meet the demanding requirements of controlled environments
- Smooth surface trim and lens materials simplify cleaning and maintenance
- NSF-approved gasketing meets all required testing criteria for ISO 5, Class 100 certification
- Anti-microbial white finish is standard

SPECIFICATIONS

- HOUSING** – Die-cast aluminum trim housing with forged aluminum heat sink. Galvanized steel splice compartment with driver mounting plate/enclosure. Swing-out mounting arms field adjust for ceiling thickness from 1/2" – 2-1/4".
- TRIM** – Die-cast aluminum frame with micro-prismatic, acrylic lens.
- DIE-CAST FINISH** – Textured anti-microbial matte white or black polyester TGIC powder coat bonded to phosphate-free, multi-stage pretreated metal.
- ELECTRICAL** – High-performance Class 2 C.O.B. LED array. Modular quick-connect plug for easy field-connection of LED light assembly to driver. Reported L70>55,000 hours. Reported L90>55,000 hours. Estimated L70 = 200,000 hours.
- MOUNTING** – Recessed. 20 ga. galvanized steel mounting pan. Minimum 24" O.C. marked spacing required for L50 - L60 lumen packages.
- LISTINGS** –
 - cCSAus conforms to UL STD 1598; Certified to CAN/CSA STD C22.2 No. 250.0 for wet locations under covered ceiling. LED light assembly conforms to UL 2108 for remote installation.
 - IC-rated for direct contact with insulation when specified with I Mounting Type.
 - IP65 rated
 - ISO 5, Class 100 rated
 - NSF/ANSI 2
 - City of Chicago Environmental Air approved when specified with CP option. ^[19]
 - Complies with ASTM-E283 when specified with ATH option.
 - RoHS compliant.
 - Complies with the Buy American Act and other federal regulations. Request certification at hew.com/baa.
- WARRANTY** – 5-year limited warranty, see hew.com/warranty.

ORDERING EXAMPLE: **HM6DR - TL - L20/835 - OPTIONS - DIM - UNV - LW - OF - WH - TRIM OPTIONS - N - F1**
 HOUSING TRIM MOUNT.

HOUSING

SERIES	LUMENS ^[1]	CRI	CCT	OPTIONS	CONTROL ^[2]	VOLTAGE
HM6DR - TL	L10 1,000lm	8 80	27 2700K	ATH Airtight construction	DIM Dimming driver prewired for 0-10V low voltage applications	UNV 120-277V
TrimLock	L15 1,500lm	9 90 ^[3]	30 3000K	F Fuse		
	L20 2,000lm		35 3500K	EM/7W 7-watt emergency battery ^[4]	DIM1 1% dimming driver prewired for 0-10V low voltage applications	
	L30 3,000lm		40 4000K	EM/10W 10-watt emergency battery ^[5]		
	L40 4,000lm		50 5000K	CP Chicago plenum (CCEA) ^[6]		
	L50 5,000lm					
	L60 6,000lm					

TRIM

TRIM TYPE	DISTRIBUTION ^[7]	FLANGE TYPE	REFLECTOR FINISH	TRIM OPTIONS
L Flush lens	W Wide	OF 1/2" standard flange	WH White texture powder coat	AD Diffuse acrylic lens ^[11]
R Regressed lens	55° Flush		BL Black texture powder coat	PD Diffuse 1/8" polycarbonate lens ^[12]
	55° Regressed		MB Black texture splay with white flange ^[10]	
	M Medium ^[8]			
	35° Flush			
	35° Regressed			
	N Narrow ^[9]			
	25° Flush			
	25° Regressed			

MOUNTING

MOUNTING TYPE ^[13]

- N Open pan for new construction
- I IC-rated enclosure for new construction ^[15]

MOUNTING HARDWARE ^[14]

- F1 Integral 2-position fixed pan bracket, universal bar hanger included ^[16]
- BA1 Adjustable butterfly pan bracket, bar hanger not included ^[17]
- CA1 Adjustable caterpillar pan bracket, universal bar hanger included ^[18]

NOTES

- Lumen output based on L trim type, W distribution and WH finish, 3500K/80CRI. Actual lumens may vary +/-5%. See page 2 for FIXTURE PERFORMANCE DATA.
- See page 3 for ADDITIONAL CONTROL OPTIONS.
- Extended lead times may apply. Consult factory for availability.
- N Mounting Type only. Not available with ATH option. Not IP65 rated.
- N Mounting Type only. Not available with ATH option. Not IP65 rated.
- I Mounting Type required. Not NSF approved.
- Beam angle based on WH reflector finish.
- L30 lumen package max when specified with medium or narrow distribution.
- L30 lumen package max when specified with medium or narrow distribution.
- L30 lumen package max when specified with medium or narrow distribution.

- R Trim Type only.
- W distribution only. Includes smooth clear polycarbonate underlay.
- W distribution only. Includes smooth clear polycarbonate underlay.
- Mounting hardware required, ordered separately, see MOUNTING HARDWARE ordering info. See page 4 for MOUNTING TYPE DETAILS.
- Additional mounting hardware options available. See page 4 for MOUNTING HARDWARE DETAILS.
- L20 lumen package max.
- I Mounting requires external brackets.
- N Mounting Type only.
- N Mounting Type only.
- Not NSF approved.



HM6DR^{LED} 6" Clearroom Medical Downlight – Round

FIXTURE PERFORMANCE DATA

	DISTRIBUTION	WATTAGE	FLUSH LENS TRIM TYPE		REGRESSED LENS TRIM TYPE	
			DELIVERED LUMENS	EFFICACY (lm/W)	DELIVERED LUMENS	EFFICACY (lm/W)
L10	W	12.6	1034	82	969	77
	M	12.6	1216	97	1195	95
	N	12.6	1215	96	1215	96
L15	W	18.8	1529	81	1434	76
	M	18.8	1798	96	1768	94
	N	18.8	1797	96	1798	96
L20	W	23.1	2080	90	1950	84
	M	23.1	2446	106	2404	104
	N	23.1	2445	106	2445	106
L30	W	37.4	3080	82	2888	77
	M	37.4	3623	97	3561	95
	N	37.4	3621	97	3621	97
L40	W	46.5	4058	87	3805	82
	M	—	—	—	—	—
	N	—	—	—	—	—
L50	W	61.0	5047	83	4731	78
	M	—	—	—	—	—
	N	—	—	—	—	—
L60	W	76.1	6069	80	5689	75
	M	—	—	—	—	—
	N	—	—	—	—	—

MULTIPLIER TABLES

	COLOR TEMPERATURE	
	CCT	CONVERSION FACTOR
	80 CRI	2700K
	3000K	0.98
	3500K	1.00
	4000K	1.01
	5000K	1.02

TRIM	
CATALOG NUMBER	CONVERSION FACTOR
AD	0.77
PD	0.77

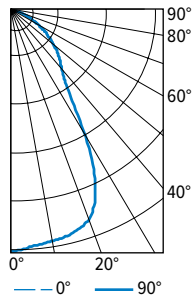
	REGRESSED TRIM FINISH		
	CATALOG NUMBER	CONVERSION FACTOR	
	90 CRI	2700K	0.76
		3000K	0.79
		3500K	0.82
	4000K	0.84	
	5000K	0.88	

REGRESSED TRIM FINISH	
CATALOG NUMBER	CONVERSION FACTOR
WH	1.00
BL	0.79

- Photometrics tested in accordance with IESNA LM-79. Results shown are based on 25°C ambient temperature.
- Wattage shown is based on 120V input.
- Results based on 3500K, 80 CRI, actual lumens may vary +/-5%
- To calculate lumen output in emergency mode, multiply the battery wattage by the efficacy.
- Use multiplier tables to calculate additional options.

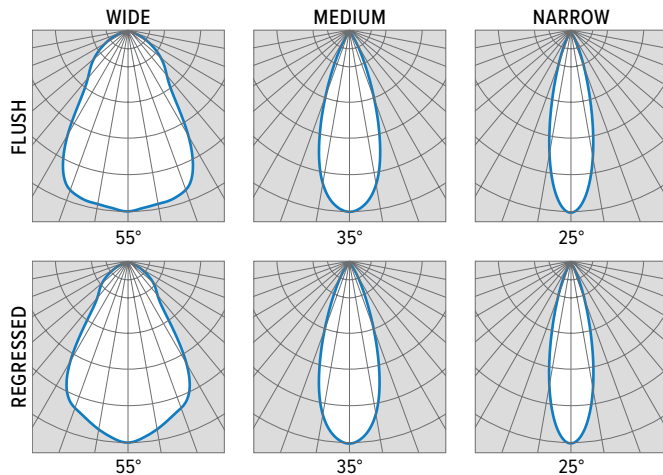
PHOTOMETRY

HM6DR-TL-L60/835-DIM-UNV-LW-OF-WH Total Luminaire Output: 6067 lumens; 76.1 Watts | Efficacy: 80 lm/W | 80 CRI; 3500K CCT



CANDLEPOWER DISTRIBUTION	VERTICAL ANGLE	HORIZONTAL ANGLE	ZONAL LUMENS
		0°	
	0	3859	
	5	3798	361
	15	3708	1045
	25	3197	1436
	35	1633	1065
	45	1093	844
	55	738	660
	65	413	412
	75	183	197
	85	40	48
	90	2	

LUMEN SUMMARY	ZONE	LUMENS	% FIXTURE
		0 - 30	2842
	0 - 40	3907	64
	0 - 60	5410	89
	0 - 90	6067	100
	0 - 180	6067	100



HM6DR^{LED} 6" Cleanroom Medical Downlight – Round

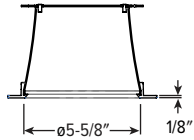
ADDITIONAL CONTROL OPTIONS

Lumen restrictions apply: L40 max for DMX driver, L40 max for Lutron drivers, L50 max for ELDO drivers, L15 minimum for DIM LINE driver. I Mounting Type not available with Lutron controls.

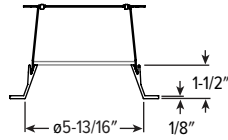
CATALOG NUMBER	DESCRIPTION
DIM	Dimming driver prewired for 0-10V low voltage applications
DIM1	1% dimming driver prewired for 0-10V low voltage applications
DIM LINE	Line voltage dimming driver (TRIAC and ELV compatible at 120V only)
DMX	0.1% dimming driver for DMX controls
LDE1	Lutron Hi-lume 1% EcoSystem dimming LED driver
VRF/DBI/LDE1	Lutron Vive integral fixture control, RF only (DFCSJ-OEM-RF) and digital link interface, for use with Lutron Hi-lume 1% EcoSystem dimming LED driver
FCJS/DIM	Lutron Vive PowPak wireless fixture control with dimming driver
FCJS/DIM1	Lutron Vive PowPak wireless fixture control with 1% dimming driver

TRIM TYPE DETAILS

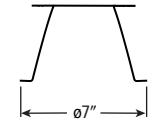
FLUSH



REGRESSED



FLANGE TYPE DETAILS



Ceiling Cutout: $\phi 6-1/2"$

TRIMLOCK DETAILS

TWIST



PULL



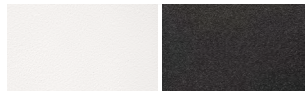
RELEASE



REFLECTOR FINISH DETAILS

WH
White

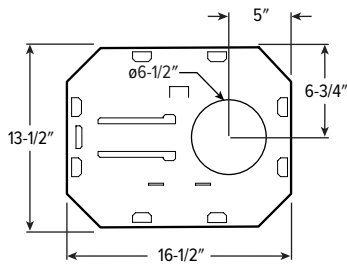
BL
Black



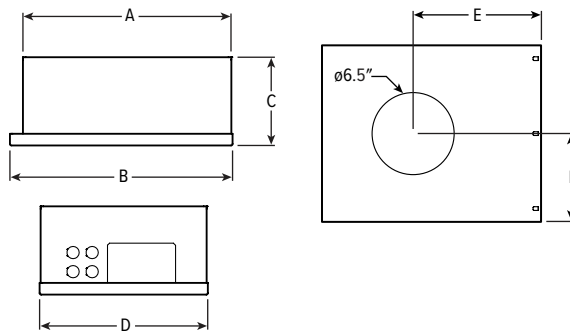
HM6DR^{LED} 6" Cleanroom Medical Downlight – Round

MOUNTING TYPE DETAILS

NEW CONSTRUCTION



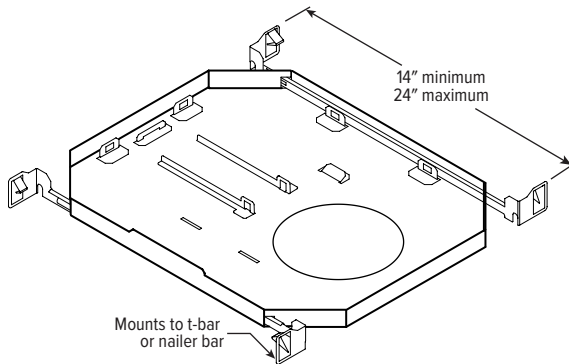
IC-RATED



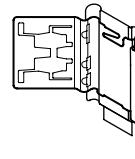
LUMENS	LENGTH					
	A	B	C	D	E	F
L10 - L15	15-3/16"	16"	6-3/8"	12-1/8"	9-1/2"	6-1/16"
L20	16-5/8"	17-1/2"	7-7/8"	14"	10-1/4"	7"

MOUNTING HARDWARE DETAILS

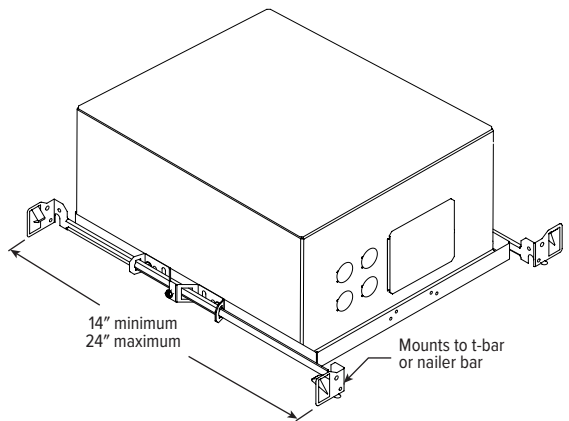
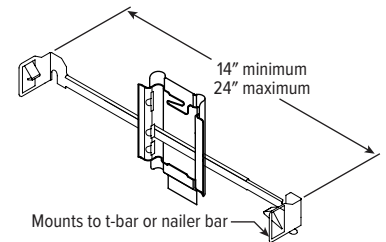
F1 Integral 2-position fixed pan bracket, universal bar hanger included



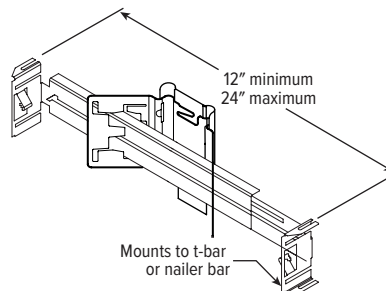
BA1 Adjustable butterfly pan bracket, bar hanger not included (N Mounting Type only)



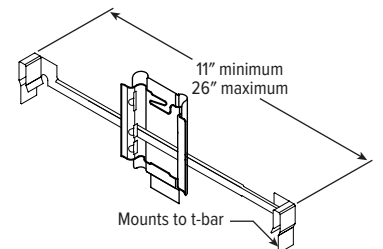
CA1 Adjustable caterpillar pan bracket, universal bar hanger included (N Mounting Type only)



BA2 Adjustable butterfly pan bracket, heavy-duty universal bar hanger included (N Mounting Type only)



CA2 Adjustable caterpillar pan bracket, t-bar hanger included (N Mounting Type only)



F1 with I Mounting Type

