

Shown with mounting bracket (standard)

CATALOG #: _____

Type: _____

PROJECT: _____



FEATURES

- Built tough for hazardous environments with Class 1-3, Division 2 certification, NSF, NEMA 4X, and IP67 ratings, and impact-resistant lens
- Seamless closed-cell gasket, poured and formed in place, creates a vapor tight seal
- Rigorously tested to withstand water penetration at 1500 PSI with 1.4 GPM flow rate, ensuring reliability in high-pressure washdown scenarios
- Equipped with a liquid-tight power entry, reducing the risk of moisture ingress at critical electrical junctions
- Precision illumination with standard wide or optional narrow distributions
- Stainless steel latches provide long-lasting protection against corrosion
- High-performance up to 161 lm/W
- Made Right Here® in the USA

SPECIFICATIONS

- ENCLOSURE** – Outer housing consists of 5VA (f1) fiberglass, rated for flame and weather resistance.
- INTERNAL HOUSING** – .050" aluminum.
- LATCHING** – Stainless steel latches, assembly, and gasket seals against water and dust ingress.
- REFLECTOR** – 95% reflective highly specular aluminum.
- REFLECTIVE SURFACES** – 92% minimum average reflective white polyester powder coat bonded to phosphate-free, multi-stage pretreated metal. All internal parts painted after fabrication to facilitate installation, increase efficiency, and inhibit corrosion.
- SHIELDING** – Frosted, impact-resistant acrylic.
- ELECTRICAL** – High-quality mid-power LED boards. L70 >50,000 hours. -20°C to 40°C maximum ambient operating temperature. 30°C max ambient when specified with EM battery. 6kV surge protection standard.
- TEMPERATURE CODE** – T4 Standard | T5 Emergency
- POWER ENTRY** – Fixture supplied with either watertight hub(s) or SOOW cord. See POWER ENTRY for ordering info.
- MOUNTING** – Surface or suspended using four stainless steel mounting straps and two flexible ceiling mount brackets included.
- LISTINGS** –
 - cETLus conforms to UL STD 1598. Certified to CAN/CSA STD C22.2 No. 250.0. Conforms to UL STD 844. Certified to CAN/CSA C22.2 STD No. 137-18. Suitable for wet locations with watertight hub, STOW or SOOW cord.
 - Suitable for Class I, DIV. 2, Group A, B, C, D; Class II, DIV. 2, Group F, G; Class III DIV. 2
 - NSF/ANSI Standard 2–Splash Zone certified, IP65, IP66, IP67 and NEMA 4X certified.
 - Build America, Buy America (BABA) and Buy American Act (BAA) compliant. Request certification at hew.com/buy-american
- WARRANTY** – 5-year limited warranty, see hew.com/warranty

ORDERING EXAMPLE: HZL - 4 - L250/840 - HIAFR - WET/1 - OPTIONS - DRV - UNV

ORDERING INFO

SERIES	LENGTH	LUMENS ⁽¹⁾	CRI	CCT	SHIELDING	
HZL	4 4'	L107	10,700lm	8 80	35 3500K	HIAFR Frosted, impact-resistant acrylic
		L145	14,500lm		40 4000K	HIA Clear, impact-resistant acrylic
		L197	19,700lm		50 5000K	PC Clear, UV stabilized impact-resistant polycarbonate
		L250	25,000lm			
		L310	31,000lm ⁽²⁾			
		L400	40,000lm ⁽³⁾			

POWER ENTRY

- WET/1 (1) 1/2" watertight hub ⁽⁴⁾
- WET/2 (2) 1/2" watertight hubs ⁽⁵⁾

SOOW CORD ⁽⁶⁾

For power cord specify length: 6 for 6' and 20 for 20' (EXAMPLE: 3WC6)

- 3WC_ 3-wire, non-dimming
- 4WC_ 4-wire, non-dimming with EM battery
- 5WC_ 5-wire, dimming
- 6WC_ 6-wire, dimming with EM battery

OPTIONS

- EM/BSL310HAZ Hazardous location 10-watt emergency battery ⁽⁷⁾ (L_) Additional lower lumen packages available Example: 16,100 lumens = HZL-4-L197/840-PC-(L161) ⁽⁸⁾
- ND Narrow distribution
- SP1 10kV surge protection, 120 or 277V
- SSV (2) Stainless steel V-hooks
- SSMRB (2) Stainless steel rigid ceiling mount bars
- TP Tamper-resistant screws ⁽⁹⁾

DRIVER ⁽¹⁰⁾

- DIM Driver with external 0-10V dimming wires
- DRV Driver without external dimming wires

VOLTAGE

- 120 120V
- 277 277V
- UNV 120-277V

ACCESSORIES

- TPTG TOOL Tamper-resistant tool for tri-groove screws. ⁽¹¹⁾

NOTES

- Lumen output based on HIAFR Shielding, 80 CRI/4000K CCT. Actual performance may vary +/-5%. See page 2 for FIXTURE PERFORMANCE DATA. Additional lumen packages available, see options.
- 35°C maximum ambient operating temperature.
- 25°C maximum ambient operating temperature.
- Factory-installed in end of housing. Increases overall length by 1/8". Can be used in conjunction with a power cord.
- Factory-installed in ends of housing. Increases overall length by 1/4". Not available with a power cord.
- Cords are not available with plug, consult factory for sample model with plug. Wet location cord sets are yellow.
- L250 lumen package max. 30°C maximum ambient operating temperature.
- Specify in increments of 100 nominal lumens. Option must be specified with next higher lumen package.
- Requires a tamper-resistant tool, see Accessories. When TP option is specified, fixture is not NSF/ANSI 2 certified.
- Consult factory for additional driver options.
- Ordered separately, please specify quantity required per project.



FIXTURE PERFORMANCE DATA

LED PACKAGE	WATTAGE	HIAFR		HIA	
		DELIVERED LUMENS	EFFICACY (lm/W)	DELIVERED LUMENS	EFFICACY (lm/W)
L107	68	10752	158	10967	161
L145	95	14567	153	14858	156
L197	130	19974	154	20373	157
L250	173	25210	146	25714	149
L310	206	31200	151	31824	154
L400	270	39213	145	39997	148

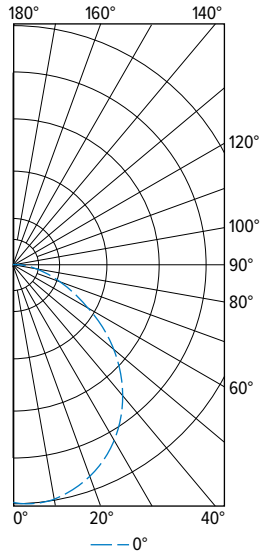
MULTIPLIER TABLE

COLOR TEMPERATURE	
CCT	CONVERSION FACTOR
3500K	0.97
4000K	1.00
5000K	1.03

- Photometrics tested in accordance with IESNA LM-79. Results based on HIAFR shielding, 80 CRI/4000K CCT, average wattage for 120V through 277V input, and 25°C ambient temperature. Actual performance may vary +/-5%.
- To calculate lumen output in emergency mode, multiply the battery wattage by the efficacy.
- Use multiplier table to calculate additional options.

PHOTOMETRY

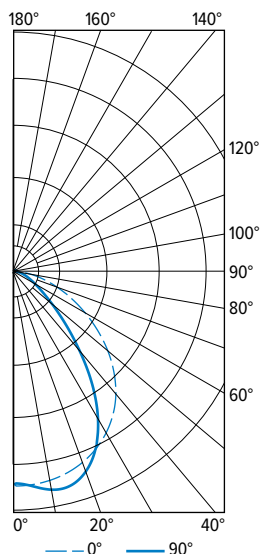
HZL-4-L250/840-HIAFR-WET/1-DRV-UNV Total Luminaire Output: 25210 lumens; 173 Watts | Efficacy: 146 lm/W | 80 CRI; 4000K CCT



VERTICAL ANGLE	HORIZONTAL ANGLE			ZONAL LUMENS
	0°	45°	90°	
0	8982	8982	8982	
5	9094	8891	8860	849
15	8737	8609	8590	2434
25	8087	7948	7928	3669
35	7082	6930	6636	4297
45	5657	5412	5425	4252
55	4007	3941	4451	3698
65	2501	2788	3152	2783
75	1143	1634	1971	1698
85	226	737	975	771
90	103	450	617	
95	94	312	400	324
105	80	200	258	194
115	50	135	200	126
125	27	82	144	73
135	15	36	87	33
145	0	0	40	9
155	0	0	14	1
165	0	0	0	0
175	0	0	0	0
180	0	0	0	

ZONE	LUMENS	% FIXTURE
0 - 30	6952	28
0 - 40	11249	45
0 - 60	19198	76
0 - 90	24450	97
90 - 120	644	3
90 - 150	759	3
90 - 180	760	3
0 - 180	25210	100

HZL-4-L250/840-HIAFR-WET/1-ND-DRV-277 Total Luminaire Output: 22930 lumens; 168 Watts | Efficacy: 136.5 lm/W | 80 CRI; 4000K CCT



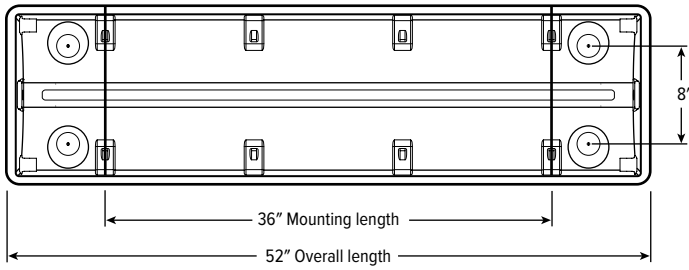
VERTICAL ANGLE	HORIZONTAL ANGLE			ZONAL LUMENS
	0°	45°	90°	
0	10700	10700	10700	
5	10750	10750	10860	777
15	10410	10910	11060	1759
25	9668	10010	9440	2368
35	8472	7914	6283	2345
45	6776	5105	3123	1807
55	4789	2692	1463	1187
65	2915	1338	747	688
75	1413	602	366	311
85	354	184	141	81
90	140	98	87	
95	125	69	62	41
105	109	66	57	36
115	74	59	55	27
125	44	45	51	18
135	26	27	42	10
145	18	12	27	5
155	15	15	14	3
165	16	16	16	2
175	18	18	19	0
180	18	18	18	

ZONE	LUMENS	% FIXTURE
0 - 30	8585	27
0 - 40	13372	58
0 - 60	19966	87
0 - 90	22621	99
90 - 120	223	1
90 - 150	299	1
90 - 180	312	1
0 - 180	22930	100

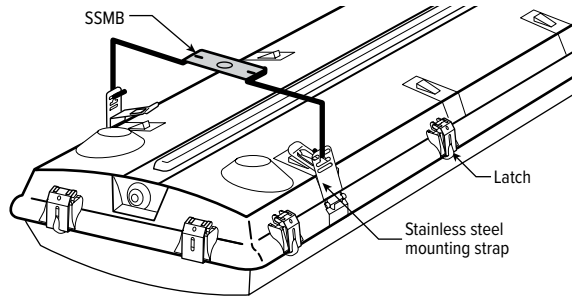


MOUNTING DETAILS

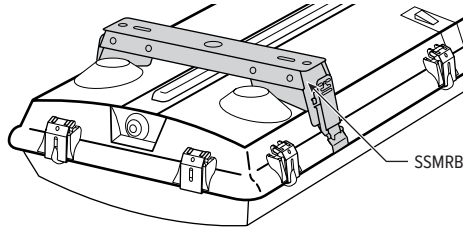
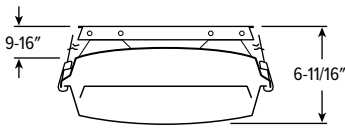
BACK VIEW



STANDARD MOUNTING BRACKET



SSMRB OPTION



SSV OPTION

