

DESIGNERLINE LOW-PROFILE WALL MOUNT COVE

LPC

SUBMITTAL:

JOB:

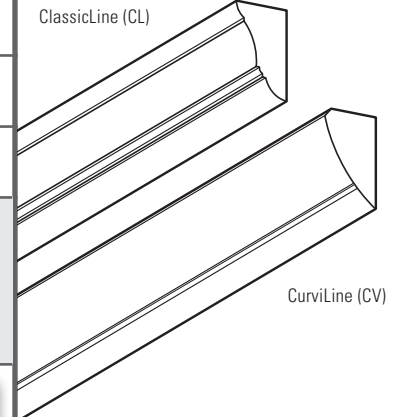
TYPE:

VOLTAGE:

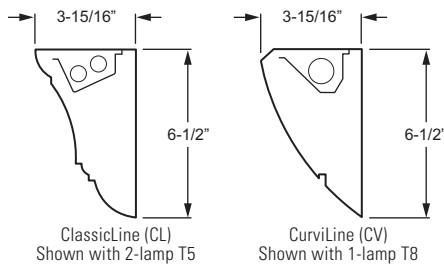
EXAMPLE

LPC CL - 4 - 1 54T5H - F / F - OPTIONS - EB1 - UNV

SERIES STYLE NOMINAL LENGTH TOTAL LAMPS WATTAGE/TYPE FIXTURE TYPE END CAP OPTIONS BALLAST TYPE VOLTAGE



LPC SERIES



FEATURES

- ▶ The DesignerLine Low-Profile Cove combines the look of continuous crown molding with big fixture performance in a compact, ADA compliant, architecturally styled package.
- ▶ Common applications include smaller offices, corridors, healthcare facilities, and spaces with low to moderate ceiling heights.
- ▶ Provides indirect illumination in locations where it is important to avoid typical glare or direct view of the lamps.
- ▶ The DesignerLine Low-Profile Cove is part of an extensive system of matched products including various cove and valance fixtures.
- ▶ Heavy-duty hook-on mounting brackets make it easy to securely install and level fixtures.
- ▶ Joiner and alignment system permit mounting in continuous rows with hairline seams that virtually disappear.
- ▶ Optional clear or prismatic dustcover allows easy cleaning and prevents accumulation of dust and debris.
- ▶ Optional anti-microbial white finish available for use in healthcare applications.
- ▶ This fixture is proudly made in the USA.

ORDERING INFORMATION

SERIES
LPC DesignerLine Low-Profile Cove

STYLE
CL ClassicLine
CV CurviLine

NOMINAL LENGTH

2	2'
3	3'
4	4'
6	6'
8	8'

TOTAL LAMPS

1, 2, or 4	T5: 1- or 2-lamp cross-section
1 or 2	T8: 1-lamp cross-section

LAMP WATTAGE/TYPE

2' LAMP OPTIONS

- 14T5S 2', 14-watt T5 (1- or 2-lamp ballast[s] only)
- 17 2', 17-watt T8 (1-lamp cross-section only)
- 24T5H 2', 24-watt T5HO

3' or 6' LAMP OPTIONS

- 21T5S 3', 21-watt T5 (1- or 2-lamp ballast[s] only)
- 25 3', 25-watt T8 (1-lamp cross-section only)
- 39T5H 3', 39-watt T5HO

4' or 8' LAMP OPTIONS

- 28T5S 4', 28-watt T5 (1- or 2-lamp ballast[s] only)
- 32 4', 32-watt T8 (1-lamp cross-section only)
- 54T5H 4', 54-watt T5HO

FIXTURE TYPE

See back for fixture type details.

- F Electrical feeder unit, quick-connect wiring harness, left end cap installed
- J Joiner unit, quick-connect wiring harness, no end caps
- E End unit, quick-connect wiring harness, right end cap installed
- S Stand-alone unit, two end caps installed

END CAP STYLE

- F Flat ends
- M Mitered ends (increases overall length, see back for details)

OPTIONS

For color options, visit the LPC at hewilliams.com.

For generic EM ballast options (must specify voltage), see Information section. **Ballast size restrictions apply.**

- C2_ Two-circuit quick-connect wiring harness (see Information section for complete quick-connect offering)
- GLR Fuse, fast blow (specify voltage), one per ballast
- CDC Clear flat dustcover
- PDC Clear prismatic lens dustcover
- 3SL 3" staggered lamps, available in 2-lamp T5 cross-section only (adds 3" to overall length)
- AMW Anti-microbial white finish

BALLAST TYPE

For dimming ballast options, see Information section. **Ballast size restrictions apply.**

- EB1 1-lamp electronic ballast
- EB2 2-lamp electronic ballast
- EB4 4-lamp electronic ballast
- EB2/2 (2) 2-lamp electronic ballasts

VOLTAGE

120	120V
277	277V
UNV	120-277V
347	347V

SPECIFICATIONS

Housing – Minimum .100" thick extruded aluminum.

Weight – 5 lbs. per foot

End Caps – 3/32" thick aluminum, welded, seam-filled and finished at ends of individual units and rows.

Reflective Surfaces –20-gauge CRS with 92% minimum average reflective white polyester powder coat.

Finish – Textured matte white polyester TGIC powder coat bonded to phosphate-free, multi-stage pretreated metal. All parts painted after fabrication to facilitate installation, increase efficiency, and inhibit corrosion.

Electrical –Electronic ballast standard, instant start T8, program start T5, rated Class P.

Mounting –Wall mount, individual units or continuous rows.

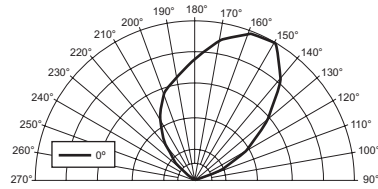
Labels – UL/CUL listed as fluorescent luminaire suitable for dry or damp locations.

PHOTOMETRY INFORMATION

Catalog #: **LPCCL-4-154T5H**

TEST REPORT INFORMATION

- ▶ Test Report #: LPCCL-4-154T5H.IES
- ▶ Lamp Type: FP54T5HO
- ▶ Lamp Quantity: 1



CANDLEPOWER DISTRIBUTION

Vertical Angle	Horizontal Angle					Zonal Lumens
	0°	45°	90°	135°	180°	
90°	3.	3.	23.	4.	3.	3.8
100°	58.	105.	362.	35.	33.	72.7
110°	282.	440.	769.	76.	61.	253.5
120°	633.	834.	1013.	206.	106.	477.6
130°	1043.	1287.	1150.	455.	265.	676.0
140°	1475.	1672.	1242.	726.	545.	799.4
150°	1846.	1827.	1321.	977.	825.	796.1
160°	1844.	1780.	1388.	1146.	1073.	650.5
170°	1726.	1601.	1426.	1298.	1245.	409.6
180°	1457.	1457.	1457.	1457.	1457.	138.6

ZONAL CAVITY COEFFICIENTS

	Ceiling	.80			.70			.50		
	Wall	.70	.50	.30	.70	.50	.30	.50	.30	.10
Room Cavity Ratio	0	.81	.81	.81	.70	.70	.70	.48	.48	.48
	1	.74	.71	.68	.63	.60	.58	.41	.40	.39
	2	.67	.62	.57	.57	.53	.49	.36	.34	.32
	3	.61	.54	.48	.52	.46	.42	.32	.29	.27
	4	.56	.48	.41	.48	.41	.36	.28	.25	.22
	5	.51	.42	.36	.43	.36	.31	.25	.22	.19
	6	.47	.37	.31	.40	.32	.27	.22	.19	.16
	7	.43	.34	.27	.37	.29	.24	.20	.17	.14
	8	.40	.30	.24	.34	.26	.21	.18	.15	.12
	9	.37	.27	.21	.31	.24	.19	.16	.13	.11
	10	.34	.25	.19	.29	.21	.17	.15	.12	.10

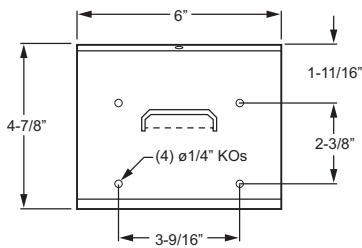
Effective Floor Cavity Reflectance = .20

LUMEN SUMMARY

Zone	Lumens	% Lamp	% Fixture
90° - 120°	804.	16.1	18.8
90° - 130°	1480.	29.6	34.6
90° - 150°	3075.	61.5	71.9
90° - 180°	4274.	85.5	99.9
Total Luminaire:			
0° - 180°	4278.	85.6	100.0

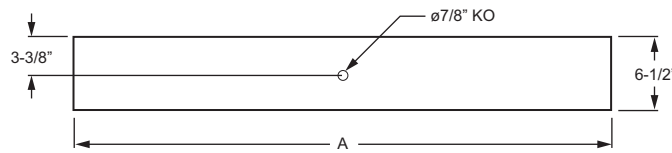
Total Luminaire Optical Efficiency: **85.6%**

WALL MOUNT BRACKET



FIXTURE DETAILS

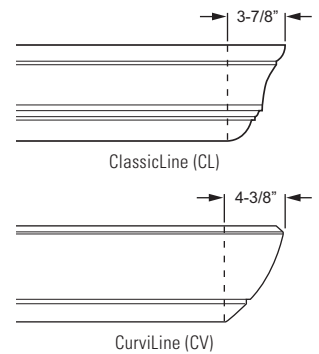
BACK VIEW



NOMINAL LENGTH	ACTUAL LENGTH (A)	
	T5	T8
2'	22-5/8"	24-1/16"
3'	34-3/8"	36-1/16"
4'	46-3/16"	48-1/16"
6'	68-9/16"	71-15/16"
8'	92-1/8"	95-15/16"

Note: Mitered ends add to overall length, see details at right.

MITERED END DETAILS



FIXTURE TYPE DETAILS (ClassicLine shown)

	F	J	E	S
Mitered				
Flat				