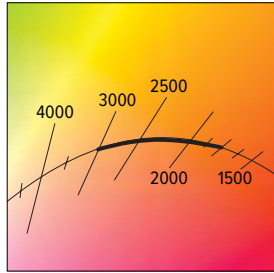


M4PS dim to WARM

4.5" MRI Shallow Plenum Downlight – Square

FIXTURE PERFORMANCE DATA

	DISTRIBUTION	DELIVERED LUMENS	CCT AT 100% (FULL OUTPUT)	CCT AT 1% (FULL DIM)	WATTAGE	EFFICACY (lm/W)
L7	W	753	3000K	1800K	14.0	53.8
	M	780			14.0	55.7
	N	754			14.0	53.7
L12	W	1321			23.4	56.5
	M	1367			23.4	58.5
	N	1323			23.4	56.6
L20	W	1955			37.7	51.9
	M	2021			37.7	53.6
	N	1956			37.7	51.9



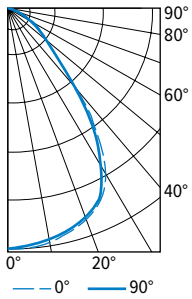
MULTIPLIER TABLE

TRIM	
CATALOG NUMBER	CONVERSION FACTOR
AD	0.85
PD	0.85

- Photometrics tested in accordance with IESNA LM-79. Results shown are based on 25°C ambient temperature.
- Wattage shown is based on 120V input.
- Results based on 3000K, 95 CRI, full output, actual lumens may vary +/-5%
- Use multiplier table to calculate additional options.

PHOTOMETRY

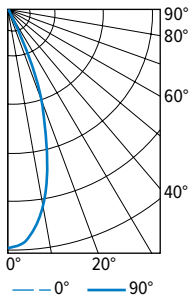
M4PS-L20/9DW-DIM1-UNV-LW-OF-WH Total Luminaire Output: 1955 lumens; 37.7 Watts | Efficacy: 51.9 lm/W | 95.0 CRI; 3000K CCT



CANDLEPOWER DISTRIBUTION	VERTICAL ANGLE	HORIZONTAL ANGLE			ZONAL LUMENS
		0°	45°	90°	
	0	1100	1100	1100	
	5	1100	1094	1093	104
	15	1060	1055	1052	298
	25	991	994	981	452
	35	704	838	684	470
	45	317	488	306	305
	55	181	204	174	173
	65	99	97	96	99
	75	42	41	41	45
	85	6	6	5	9
	90	0	0	0	

LUMEN SUMMARY	ZONE	LUMENS	% FIXTURE
	0 - 30	854	44
	0 - 40	1324	68
	0 - 60	1802	92
	0 - 90	1955	100
	0 - 180	1955	100

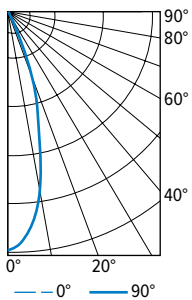
M4PS-L20/9DW-DIM1-UNV-LM-OF-WH Total Luminaire Output: 2021 lumens; 37.7 Watts | Efficacy: 53.6 lm/W | 95.0 CRI; 3000K CCT



CANDLEPOWER DISTRIBUTION	VERTICAL ANGLE	HORIZONTAL ANGLE			ZONAL LUMENS
		0°	45°	90°	
	0	4343	4343	4343	
	5	4200	4188	4202	385
	15	2875	2876	2855	777
	25	995	990	992	487
	35	290	293	308	198
	45	107	116	113	90
	55	48	53	49	46
	65	23	25	25	24
	75	10	10	11	11
	85	0	1	1	2
	90	0	0	0	

LUMEN SUMMARY	ZONE	LUMENS	% FIXTURE
	0 - 30	1648	82
	0 - 40	1847	91
	0 - 60	1983	98
	0 - 90	2021	100
	0 - 180	2021	100

M4PS-L20/9DW-DIM1-UNV-LN-OF-WH Total Luminaire Output: 1956 lumens; 37.7 Watts | Efficacy: 51.9 lm/W | 95.0 CRI; 3000K CCT



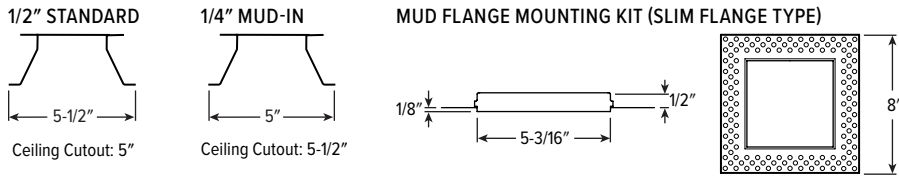
CANDLEPOWER DISTRIBUTION	VERTICAL ANGLE	HORIZONTAL ANGLE			ZONAL LUMENS
		0°	45°	90°	
	0	5104	5104	5104	
	5	4807	4766	4753	429
	15	2695	2727	2680	750
	25	831	904	883	427
	35	230	248	261	167
	45	99	105	108	83
	55	56	61	59	54
	65	27	32	30	30
	75	10	12	12	13
	85	0	1	1	2
	90	0	0	0	

LUMEN SUMMARY	ZONE	LUMENS	% FIXTURE
	0 - 30	1607	82
	0 - 40	1774	91
	0 - 60	1911	98
	0 - 90	1956	100
	0 - 180	1956	100

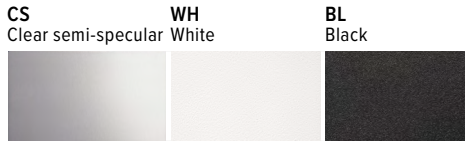


M4PS dim to WARM 4.5" MRI Shallow Plenum Downlight – Square

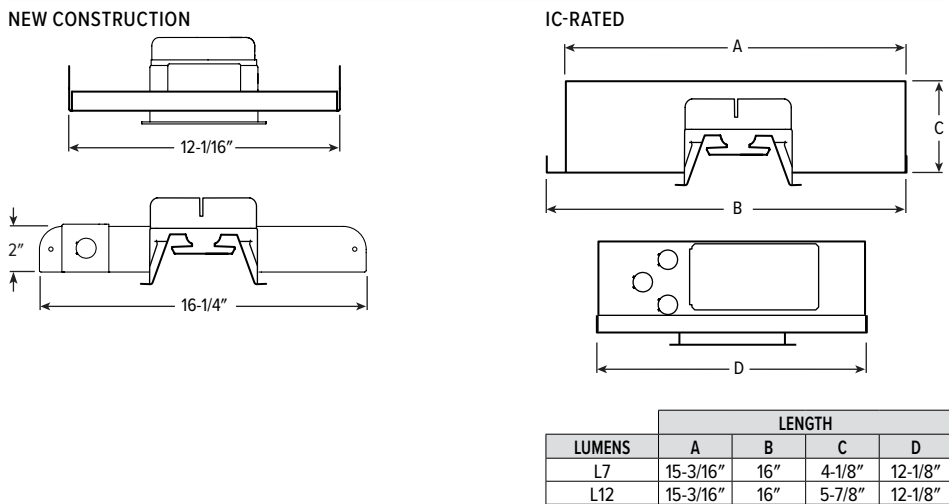
FLANGE TYPE DETAILS



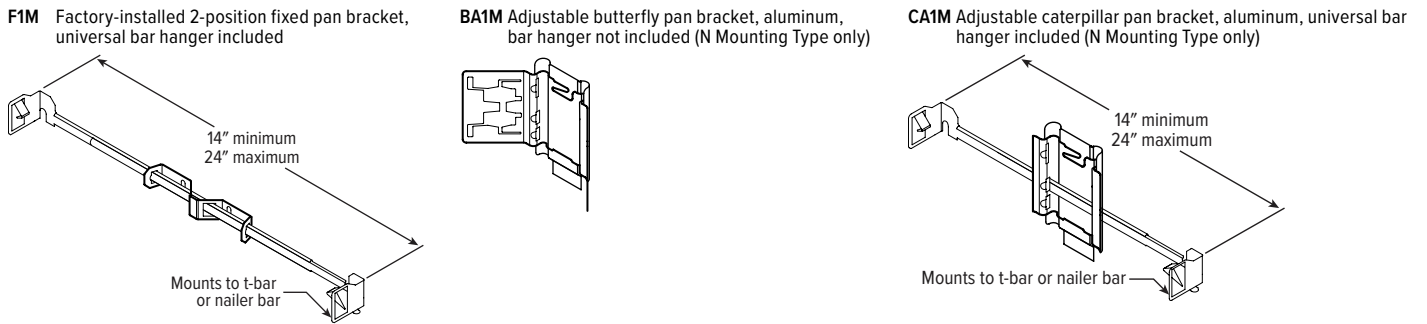
REFLECTOR FINISH DETAILS



MOUNTING TYPE DETAILS



MOUNTING HARDWARE DETAILS

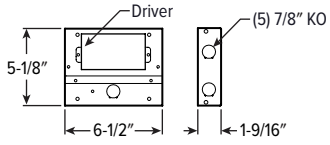


M4PS dim to WARM

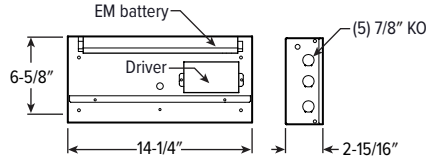
4.5" MRI Shallow Plenum Downlight – Square

REMOTE DRIVER ENCLOSURE DETAILS (ORDERED & SHIPPED SEPARATELY)

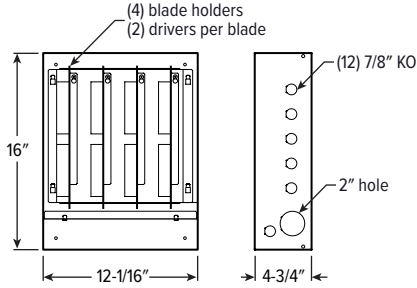
REMOTE DRIVER ENCLOSURE FOR SINGLE FIXTURE



REMOTE DRIVER ENCLOSURE FOR SINGLE FIXTURE WITH EMERGENCY BATTERY



REMOTE DRIVER ENCLOSURE FOR 2 - 8 FIXTURES



REMOTE DRIVER ENCLOSURE FOR 9 - 12 FIXTURES

