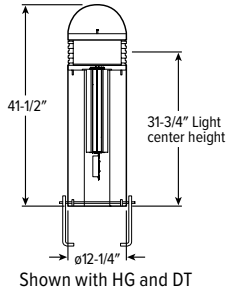


OSC12R LED 12" Concrete Bollard – Round



CATALOG #: _____

Type: _____

PROJECT: _____

FEATURES

- Horizontal, vertical or louvered shields provide Type V distribution in a variety of styles
- Available with flat- or dome-shaped concrete top
- LEDs provide high-efficacy, good color rendering and a variety of color options
- Concrete top and cast aluminum shield remove as one unit to provide access to LED and driver components
- Natural concrete housing complements gardens, pathways and pedestrian-area applications
- Finned, extruded aluminum heat sink for maximum heat dissipation
- Made Right Here® in the USA

SPECIFICATIONS

- HOUSING** – Prestressed, reinforced, cast hollow core concrete with a light sand blasted finish.
- HOUSING TOP** – Cast, prestressed, reinforced concrete.
- SHIELD** – Type V distribution. Cast aluminum grill, .188" thick with opal (HG or VG) or clear (LG) UV stabilized acrylic diffuser. Shield is secured to housing with stainless steel tamper-resistant hardware.
- SHIELD FINISH** – Super durable polyester powder coat bonded to phosphate-free, multi-stage pretreated metal, meets and exceeds AAMA 2604 specifications for outdoor durability.
- ELECTRICAL** – High quality mid-power LED board. L70 at 50,000 hours. Prewired at factory for easy field installation. Rated -40°F minimum starting temperature.
- MOUNTING** – Minimum 2" recessed in ground with four-point hot dip galvanized 1/4" A36 steel baseplate. For accurate installation a fullscale mounting template is provided with each bollard and anchor bolt order.
- LISTINGS** – cETLus conforms to UL STD 1598 and UL STD 8750; Certified to CAN/CSA STD C22.2 No. 250.0. Suitable for wet locations.
- WARRANTY** – 5-year limited warranty, see hew.com/warranty.

ORDERING EXAMPLE: OSC12R - L19/840 - LG - FT - NC - DBR - AB - OPTIONS - DIM - UNV

ORDERING INFO

SERIES	LUMENS ^[1]	CRI	CCT	SHIELD ^[2]	HOUSING TOP ^[3]	HOUSING FINISH
OSC12R	L12 1,200lm	8 80	27 2700K	HG Horizontal cast grill with opal diffuser	FT Flat top	NC Natural concrete color ^[4]
	L19 1,900lm		30 3000K	LG Louvered cast grill with clear diffuser	DT Dome top	CC_____ Specify custom concrete color ^[5]
	L26 2,600lm		35 3500K	VG Vertical cast grill with opal diffuser		
			40 4000K			

SHIELD FINISH ^[6]

WHT	White (RAL #9003)
BLK	Black (RAL #9004)
DBZ	Dark bronze
DBR	Medium bronze
GRAY	Standard gray
GRN	Green (RAL #6005)
SLV	Satin aluminum (RAL #9006)
RAL#_____	Specify custom color

ANCHOR BOLTS ^[7]

AB	Anchor bolts ^[8]
LAB	Less anchor bolts
PAB	Pre-shipped anchor bolts ^[9]

OPTIONS

SF	Single fuse ^[10]
DF	Double fuse ^[11]

DRIVER

DRIVER	VOLTAGE
DIM Dimming driver prewired for 0-10V low voltage applications	120 120V 208 208V
DRV Driver prewired for non-dimming applications	240 240V 277 277V UNV 120-277V 347 347V 480 480V

NOTES

- Lumen output based on 4000K/80CRI and WHT Finish. Actual lumens may vary +/-5%.
- See page 3 for FIXTURE DETAILS.
- See page 3 for FIXTURE DETAILS.
- Standard.
- Consult factory.
- See page 2 for SHIELD FINISH OPTIONS.

- See page 2 for MOUNTING DETAILS.
- Four 3/8" x 12" cast-in galvanized steel anchor J-bolts, shipped with fixture.
- Four 3/8" x 12" cast-in galvanized steel anchor J-bolts. 120V, 277V, or 347V only; must specify voltage.
- 208V, 240V, or 480V only; must specify voltage.



OSC12R LED 12" Concrete Bollard – Round

FIXTURE PERFORMANCE DATA

	WATTAGE	VG		HG		LG	
		DELIVERED LUMENS	EFFICACY (LM/W)	DELIVERED LUMENS	EFFICACY (LM/W)	DELIVERED LUMENS	EFFICACY (LM/W)
L12	11.0	1199	109.0	547	49.7	570	51.8
L19	18.1	1860	102.8	848	46.9	884	48.8
L26	27.1	2567	94.7	1171	43.2	1220	45.0

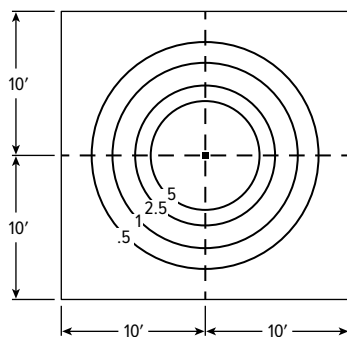
MULTIPLIER TABLES

COLOR TEMPERATURE	
CCT	CONVERSION FACTOR
2700K	0.91
3000K	0.97
3500K	1.00
4000K	1.00

- Photometrics tested in accordance with IESNA LM-79. Results shown are based on 25°C ambient temperature.
- Wattage shown is average for 120V through 277V input.
- Results based on 4000K/80CRI and WHT Finish, actual lumens may vary +/-5%
- Use multiplier table to calculate additional options.

CATALOG NUMBER	SHIELD FINISH		
	CONVERSION FACTOR		
	VG	HG	LG
WHT	1.00	1.00	1.00
BLK	0.42	0.19	0.17
DBZ	0.43	0.20	0.18
DBR	0.44	0.21	0.19
GRAY	0.57	0.33	0.31
GRN	0.43	0.20	0.18
SLV	0.57	0.33	0.31

FOOTCANDLE ESTIMATOR & DISTRIBUTION

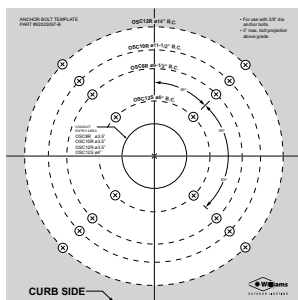


OSC12R-L19/835-LG-FT-NC-WHT

- Delivered lumens: 884
- Wattage: 18.1
- Efficacy: 48.8 lm/w
- CRI: 80
- CCT: 3500K

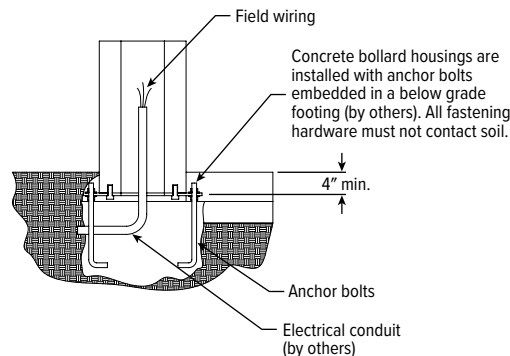
MOUNTING DETAILS

MOUNTING TEMPLATE

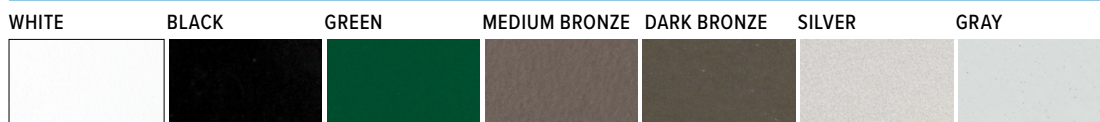


Mounting template is provided with each order. A pdf file (not to scale) of the mounting template is available at www.hew.com.

MOUNTING DETAILS



SHIELD FINISH OPTIONS

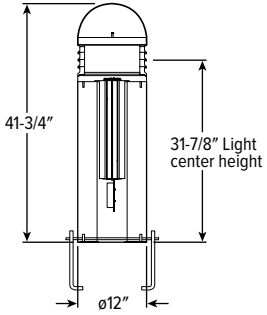


For custom color, please specify RAL code or a manufacturer code with description. All custom colors other than RAL require two sample swatches, minimum 1" square.

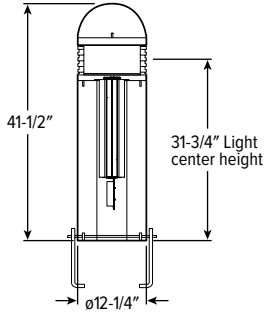
OSC12R LED 12" Concrete Bollard – Round

CROSS SECTIONS

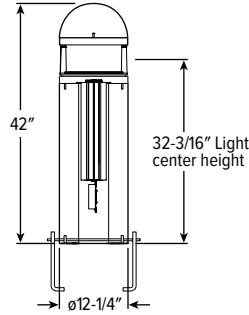
Louvered Grill (LG) | Dome Top (DT)
Weight: 248 lbs.



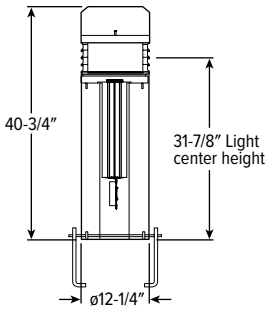
Horizontal Grill (HG) | Dome Top (DT)
Weight: 254 lbs.



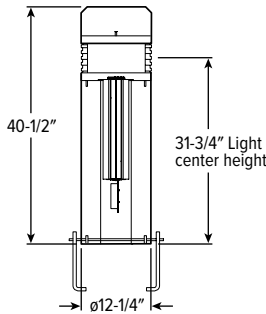
Vertical Grill (VG) | Dome Top (DT)
Weight: 248 lbs.



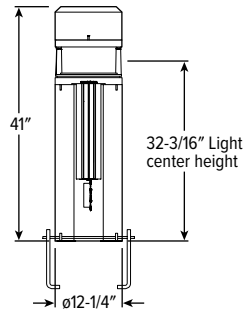
Louvered Grill (LG) | Flat Top (FT)
Weight: 255 lbs.



Horizontal Grill (HG) | Flat Top (FT)
Weight: 260 lbs.



Vertical Grill (VG) | Flat Top (FT)
Weight: 255 lbs.



FIXTURE DETAILS

LG | DT



HG | DT



VG | DT



LG | FT



HG | FT



VG | FT

