

12" SQUARE CONCRETE BOLLARD

OSC12S

LED



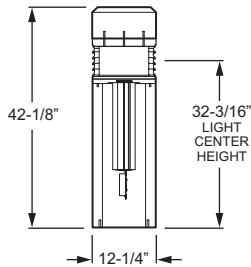
CATALOG #: _____ TYPE: _____

PROJECT: _____ NOTES: _____

EXAMPLE → **OSC12S - L20/840 - LG - FT - NC - DBR - AB - OPTIONS - DIM - UNV**

SERIES LUMEN PACKAGE CRI & CCT SHIELDING HOUSING TOP HOUSING FINISH SHIELD FINISH ANCHOR BOLTS OPTIONS DRIVER VOLTAGE

CROSS SECTION



Shown with LG and FT
See back for additional cross-sections and fixture weights

ORDERING INFORMATION

SERIES

OSC12S 12" Square Concrete Bollard

LED PACKAGE

EXAMPLE: L20/840			AVERAGE SYSTEM WATTAGE
LUMEN PACKAGE	NOMINAL LUMENS	MINIMUM CRI & CCT	
L11	1100	827 = 80CRI, 2700K 830 = 80CRI, 3000K	17
L20	2000	835 = 80CRI, 3500K 840 = 80CRI, 4000K	28

Nominal lumens based on 3500K CCT, actual lumens may vary.

SHIELDING

See back for shielding details.

HG Horizontal cast grill with opal diffuser
LG Louvered cast grill with clear diffuser

HOUSING TOP

FT Flat top
PT Peak top

HOUSING FINISH

NC Natural concrete color (standard)
CC____ Specify custom concrete color (consult factory)

SHIELD FINISH

BLK Black (RAL #9004)
DBZ Dark bronze
DBR Medium bronze
GRAY Standard gray
GRN Green (RAL #6005)
SLV Satin aluminum (RAL #9006)
WHT White (RAL #9003)
RAL#____ Specify custom color

ANCHOR BOLTS

AB Anchor bolts (Four 3/8" x 12" cast-in galvanized steel anchor J-bolts, shipped with fixture. Mounting template included.)
LAB Less anchor bolts
PAB Pre-shipped anchor bolts (Four 3/8" x 12" cast-in galvanized steel anchor J-bolts. Mounting template included.)

OPTIONS

SF Single fuse (120V, 277V, or 347V only; must specify voltage)
DF Double fuse (208V, 240V, or 480V only; must specify voltage)

DRIVER

DRV Driver prewired for non-dimming applications
DIM 10% dimming driver prewired for 0-10V low voltage applications

VOLTAGE

120 120V
208 208V
240 240V
277 277V
UNV 120-277V
347 347V
480 480V

FEATURES

- ▶ LEDs provide high-efficacy, good color rendering, a variety of color options, and 50,000 hours rated life (L70).
- ▶ Available with flat- or dome-shaped concrete top.
- ▶ Horizontal or louvered shields provide Type V distribution in a variety of styles.
- ▶ Concrete top and cast aluminum shield remove as one unit to provide access to LED and driver components.
- ▶ Natural concrete housing complements gardens, pathways and pedestrian-area applications.
- ▶ Up to 2000-lumen module.
- ▶ 80 CRI minimum.
- ▶ 2700K, 3000K, 3500K, or 4000K.
- ▶ Finned, extruded aluminum heat sink for maximum heat dissipation.
- ▶ This fixture is proudly made in the USA.



OSC12S

12" SQUARE CONCRETE BOLLARD

LED

Catalog #: **OSC12S-L20/840-LG-FT-NC-WHT**

SPECIFICATIONS

Housing – Prestressed, reinforced, cast hollow core concrete with a light sand blasted finish.

Housing Top – Cast, prestressed, reinforced concrete.

Shield – Type V distribution. Cast aluminum grill, .188" thick with opal (HG) or clear (LG) UV stabilized acrylic diffuser. Shield is secured to housing with stainless steel tamper-resistant hardware.

Shield Finish – Super durable polyester powder coat bonded to phosphate-free, multi-stage pretreated metal, meets and exceeds AAMA 2604 specifications for outdoor durability.

Electrical – High quality mid-power LED board. L70 at 50,000 hours. Rewired at factory for easy field installation. Rated -40°F minimum starting temperature.

Mounting – Minimum 2" recessed in ground with four-point hot dip galvanized 1/4" A36 steel baseplate. For accurate installation a fullscale mounting template is provided with each bollard and anchor bolt order.

Labels – cETLus conforms to UL STD 1598 and UL STD 8750; Certified to CAN/CSA STD C22.2 No. 250.0. Suitable for wet locations.

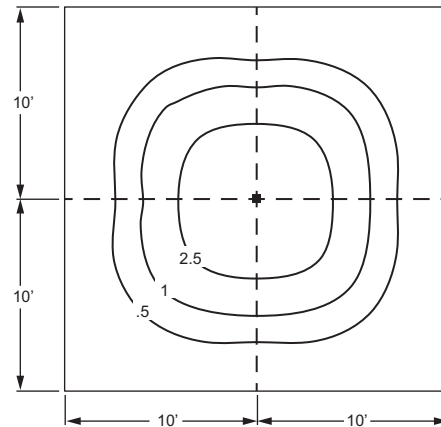
Warranty – 5-year limited warranty, see hew.com/warranty.

PHOTOMETRY

TEST REPORT INFORMATION

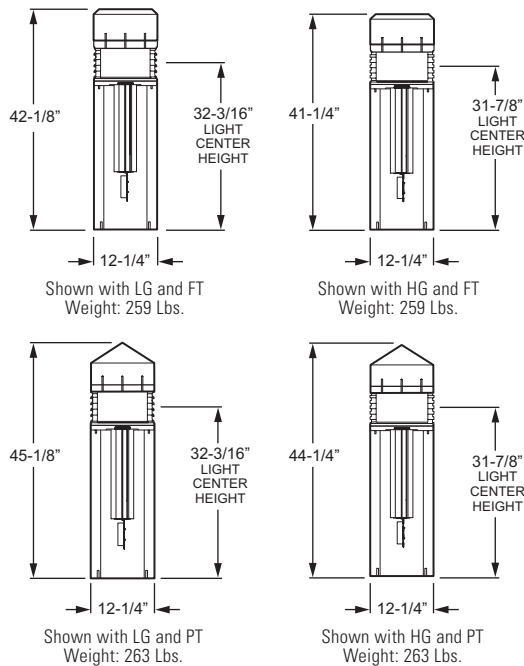
- ▶ Test Report #: 100570727CHI-014
- ▶ Date: 09/12/12
- ▶ Lamp Type: LED
- ▶ **Rated Lumens: 562**
- ▶ **Watts: 24.7**
- ▶ **Lumens Per Watt: 22.8**
- ▶ **CRI: 84**
- ▶ **CCT: 3695K**

FOOTCANDLE DISTRIBUTION

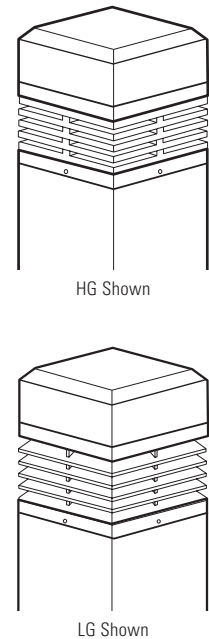


FIXTURE DETAILS

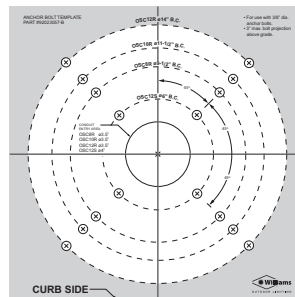
CROSS-SECTIONS AND WEIGHTS



SHIELDING



MOUNTING TEMPLATE



Mounting template is provided with each order. A pdf file (not to scale) of the mounting template is available at www.hew.com.

MOUNTING DETAILS

