

CATALOG #: _____

TYPE: _____

PROJECT: _____

FEATURES

FieldSELECT™
CCT

- Easily change the color temperature on-site with FieldSELECT technology
- Three switchable CCT settings provide ultimate flexibility – 3000K, 3500K and 4000K
- Slim fixture depth for low-profile surface mount
- Uniform ambient illumination
- Companion recessed and retrofit kit preserve continuity
- Optional anti-microbial finish for healthcare applications
- Round or square diffuse ribbed acrylic lens options enhance the space
- High-performance up to 123 lm/W
- Heavy duty C.R.S. construction
- Made Right Here® in the USA

SPECIFICATIONS

- HOUSING – Precision die-formed 20-gauge C.R.S.
- REFLECTOR – Precision die-formed 22-gauge C.R.S. Highly reflective non-glare matte white polyester powder coat.
- SHIELDING – Diffuse ribbed acrylic.
- FINISH – Textured matte white polyester TGIC powder coat bonded to phosphate-free, multi-stage pretreated metal. All parts painted after fabrication to facilitate installation, increase efficiency, and inhibit corrosion.
- ELECTRICAL – High-quality mid-power LED boards with switchable CCT – 3000K, 3500K, and 4000K. L70 >50,000 hours. FieldSELECT products use LEDs of multiple CCTs and may produce a perceptibly different shade of white from single-CCT products at the same CCT. All CCTs are within 3 MacAdam ellipses.
- MOUNTING – Surface or suspended.
- LISTINGS – cCSAus certified as luminaire suitable for dry locations.
- WARRANTY – 5-year limited warranty, see hew.com/warranty.

ORDERING EXAMPLE: PTS - 2 4 - L62/8FS - RA - CONTROL/DIM - UNV

ORDERING INFO

SERIES	WIDTH	LENGTH	LUMENS ^[1]	CRI	CCT	SHIELDING		
PTS	1 1' ^[2]	2 2' ^[3]	1x4	8	80	FS FieldSELECT 3000K, 3500K, 4000K ^[4]	RA Diffuse ribbed acrylic, round	
		4 4'	L25 2,500lm				SA Diffuse ribbed acrylic, square ^[5]	
	2 2'	2x2	L37 3,700lm	80	FS	FieldSELECT 3000K, 3500K, 4000K ^[4]	RA Diffuse ribbed acrylic, round	
			L50 5,000lm					SA Diffuse ribbed acrylic, square ^[5]
			L24 2,400lm					
		2x4	L36 3,600lm	80	FS	FieldSELECT 3000K, 3500K, 4000K ^[4]	RA Diffuse ribbed acrylic, round	
			L48 4,800lm					SA Diffuse ribbed acrylic, square ^[5]
			L37 3,700lm					
	2 2'	2x4	L55 5,500lm	80	FS	FieldSELECT 3000K, 3500K, 4000K ^[4]	RA Diffuse ribbed acrylic, round	
			L62 6,200lm					SA Diffuse ribbed acrylic, square ^[5]

OPTIONS ^[6]	CONTROL ^[7]	DRIVER ^[8]	VOLTAGE
EM/7W 7-watt emergency LED battery ^[9]	– None	DIM Dimming driver	120 120V
EM/7WRM Remote mount 7-watt emergency battery	VDO Lutron Vive integral fixture control, RF with daylight and occupancy sensor (DFCSJ-OEM-ÖCC) ^[13]	DRV Non-dimming driver	277 277V
EM/10W 10-watt emergency battery ^[10]	VRF Lutron Vive integral fixture control, RF only (DFCSJ-OEM-RF) ^[14]	DSR Sensor-ready driver ^[15]	UNV 120-277V
EM/10WLP Low-profile 10-watt emergency battery ^[11]		347 347V ^[16]	
EM/12W 12-watt emergency battery ^[12]			
AMW Anti-microbial white finish			

NOTES

- ¹ Lumen output based on 3500 CCT. Actual lumens may vary +/-5%, see page 2 for FIXTURE PERFORMANCE DATA.
- ² 4' length only.
- ³ 2' width only.
- ⁴ See page 3 for FIELDSELECT DETAILS.
- ⁵ Increases lumen output by 3%.
- ⁶ See page 3 for FINISH OPTIONS. Custom colors available upon request. Suspended mounting available. See page 3 for SUSPENDED MOUNTING DETAILS.
- ⁷ See page 4 for ADDITIONAL CONTROL OPTIONS. See page 4 for SENSOR PLACEMENT DETAILS.
- ⁸ See page 4 for ADDITIONAL DRIVER OPTIONS.
- ⁹ 2x2 and 2x4 only.
- ¹⁰ 2x2 & 2x4 only.
- ¹¹ 1x4 only.
- ¹² 2x2 & 2x4 only.
- ¹³ DSR or LDE Drivers only. LDE drivers require driver interface.
- ¹⁴ DSR or LDE Drivers only. LDE drivers require driver interface.
- ¹⁵ VDO and VRF Controls only.
- ¹⁶ Not available with EM batteries.

FIXTURE PERFORMANCE DATA

	LED PACKAGE	DELIVERED LUMENS	WATTAGE	EFFICACY (lm/W)
1x4	L25	2441	19.8	123.2
	L37	3674	30.8	119.3
2x2	L50	4968	42.6	116.7
	L24	2378	20.8	114.3
	L36	3595	30.9	116.5
2x4	L48	4823	42.6	113.3
	L37	3674	30.8	119.3
	L55	5460	47.3	115.5
	L62	6208	54.8	113.3

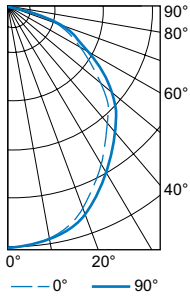
MULTIPLIER TABLE

COLOR TEMPERATURE	
CCT	CONVERSION FACTOR
3000K	0.94
3500K	1.00
4000K	0.95

- Photometrics tested in accordance with IESNA LM-79. Results shown are based on 25°C ambient temperature.
- Wattage shown is average for 120V through 277V input.
- Results based on 3500K, 80 CRI, actual lumens may vary +/-5%
- To calculate lumen output in emergency mode, multiply the battery wattage by the efficacy.
- Use multiplier table to calculate additional options.

PHOTOMETRY

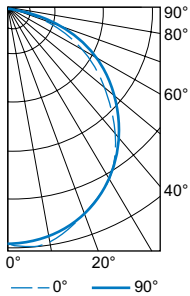
PTS-24-L62/8FS-RA-DIM-UNV Total Luminaire Output: 6208 lumens; 55 Watts | Efficacy: 113 lm/W | 80 CRI; 3500K CCT



VERTICAL ANGLE	HORIZONTAL ANGLE			ZONAL LUMENS
	0°	45°	90°	
0	2375	2375	2375	
5	2339	2336	2323	223
15	2270	2278	2287	638
25	2000	2027	2052	923
35	1617	1668	1711	1041
45	1314	1387	1458	1062
55	956	1046	1130	938
65	619	733	833	724
75	293	451	558	474
85	60	199	228	186
90	0	0	0	

LUMEN SUMMARY	ZONE	LUMENS	% FIXTURE
	0 - 30	1784	29
	0 - 40	2825	46
	0 - 60	4825	78
	0 - 90	6208	100
	0 - 180	6208	100

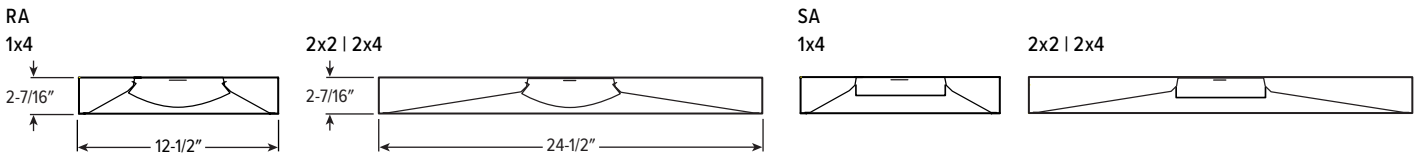
PTS-14-L50/8FS-RA-DIM-UNV Total Luminaire Output: 4969 lumens; 43 Watts | Efficacy: 116 lm/W | 80 CRI; 3500K CCT



VERTICAL ANGLE	HORIZONTAL ANGLE			ZONAL LUMENS
	0°	45°	90°	
0	1811	1811	1811	
5	1852	1831	1804	173
15	1770	1765	1744	495
25	1619	1627	1607	744
35	1409	1427	1428	885
45	1124	1173	1191	895
55	804	884	921	785
65	516	611	627	585
75	229	321	335	326
85	35	58	68	80
90	0	0	0	

LUMEN SUMMARY	ZONE	LUMENS	% FIXTURE
	0 - 30	1413	28
	0 - 40	2298	46
	0 - 60	3978	80
	0 - 90	4969	100
	0 - 180	4969	100

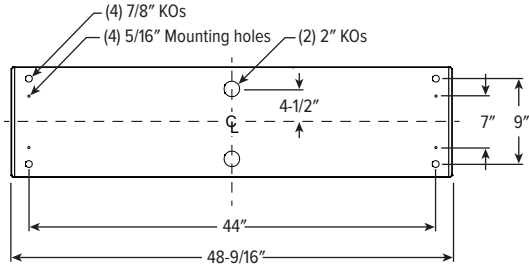
CROSS SECTIONS



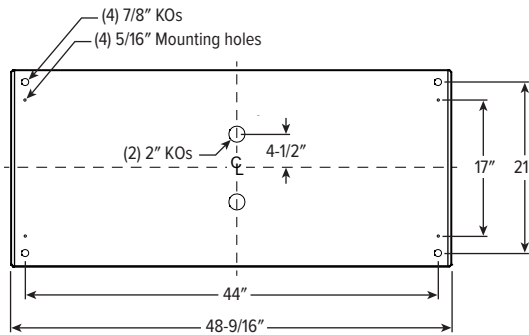
FIXTURE DETAILS

BACKVIEW

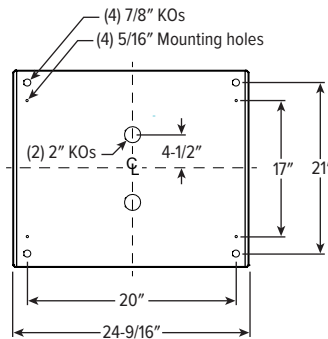
1x4



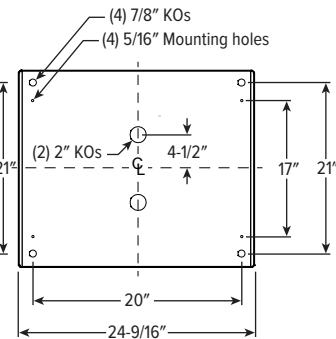
2x4



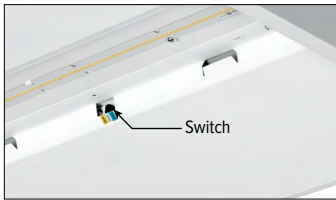
2x2



2x2



FIELDSELECT DETAILS



SUSPENDED MOUNTING DETAILS

AIRCRAFT CABLE

ORDERING EXAMPLE: ACF*4P/D48			
PREFIX	TYPE	LENGTH	
ACF*4P	Four point mount	D 1" grid & hardpan	24 24"
	adjustable aircraft cable	N 9/16" grid	48 48"
		S Slot grid	96 96"
			144 144"
			192 192"
		240 240"	
		300 300"	

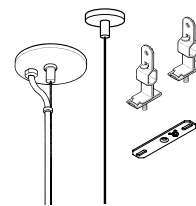
CORD OPTIONS

Units specified with aircraft cable require cord. Please specify cord type using ordering information below. Long fixture rows may require multiple feed points based on 18ga conductor size.

EXAMPLE: S2438D/W				
CORD TYPE	LENGTH	# OF COND. ^[1]	WIRE SIZE	COLOR
S	24 24"	3	8D 18ga	/W White /B Black
	48 48"	4		
	96 96"	5		
		6		

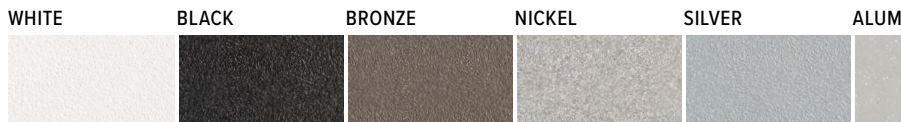
¹ Includes (2) 22ga purple & pink dimming conductors

STANDARD HARDWARE (Grid & Hardpan)



- Fixtures are provided with adjustable length aircraft cables and mounting hardware, must specify.
- One 5" canopy used at power feed location to cover the junction box. Three other suspension points use 2" canopy at the non-feed point. No J-box is required at non-feed points.

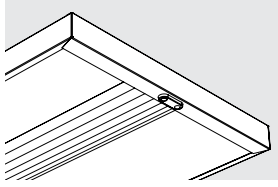
FINISH OPTIONS



For custom color, please specify RAL code or a manufacturer code with description. All custom colors other than RAL require two sample swatches, minimum 1" square.



SENSOR PLACEMENT DETAILS



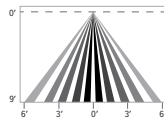
ADDITIONAL CONTROL OPTIONS

VDO Lutron Vive integral fixture control, RF with daylight and occupancy sensor (DFCSJ-OEM-OCC). DSR or LDE Drivers only. LDE drivers require driver interface

SPECIFICATIONS	
TYPE	PIR Motion + Daylight
MOUNTING HEIGHT	8' – 12'
DETECTION ANGLE	360°
TEMPERATURE RANGE	0° to 55°C
RELATIVE HUMIDITY	0 to 90%, non-condensing
COMMISSIONING	App (iOS or Android)
MANUFACTURER	Lutron

SENSOR COVERAGE PATTERNS

9' height: ø12' coverage



MOTION SENSOR COVERAGE

CEILING HEIGHT	COVERAGE AREA (SQ FT)
8'	114
9'	144
10'	178
12'	256

SENSOR DETAIL



VIVE CONTROL OPTIONS

CATALOG NUMBER	DESCRIPTION
VDO	Lutron Vive integral fixture control, RF with daylight and occupancy sensor (DFCSJ-OEM-OCC), for use with sensor-ready driver
VRF	Lutron Vive integral fixture control, RF only (DFCSJ-OEM-RF), for use with sensor-ready driver
VDO/DBI	Lutron Vive integral fixture control, RF with daylight and occupancy sensor (DFCSJ-OEM-OCC) and digital link interface, for use with Lutron Hi-lume 1% EcoSystem dimming LED driver
VRF/DBI	Lutron Vive integral fixture control, RF only (DFCSJ-OEM-RF) and digital link interface, for use with Lutron Hi-lume 1% EcoSystem dimming LED driver

ADDITIONAL DRIVER OPTIONS

Note: Lumen restrictions apply, consult product builder at hew.com/product-builder.

CATALOG NUMBER	DESCRIPTION
DRV	Driver prewired for non-dimming applications
DIM	Dimming driver prewired for 0-10V low voltage applications
DIM1	1% dimming driver prewired for 0-10V low voltage applications
DIM LINE	Line voltage dimming driver (TRIAC and ELV compatible, 120V only)
DIM TRC	Line voltage dimming driver (TRIAC compatible, 120V only)
DSR	Sensor-ready driver
SD40	40% step-dimming driver
SD50	50% step-dimming driver
DALI	DALI dimming driver
LDE1	Lutron Hi-lume 1% EcoSystem dimming LED driver

