

CATALOG #: _____

TYPE: _____

PROJECT: _____

FEATURES

- Create scalable, highly functioning smart buildings with Platformatics Power over Ethernet controls
- Support human-centric design with adaptive, individualized lighting using tunable white light
- Efficacies up to 136 lm/W
- Shallow fixture depth for low ceiling applications
- Diffuse ribbed acrylic combined with highly-reflective matte white paint produce high optical efficiencies while providing visual comfort
- Heavy duty C.R.S. construction
- Made Right Here® in the USA

ORDERING EXAMPLE: PTS - 2 4 - P65/835 - RA - OPTIONS - POE PR

ORDERING INFO

SERIES	WIDTH	LENGTH	LUMENS ^[1]	CRI	CCT	SHIELDING
PTS	1 1' ^[2]	2 2' ^[3]	1x4	8 80	27 2700K	RA Diffuse ribbed acrylic, round SA Diffuse ribbed acrylic, square ^[5]
			P21 2,100lm		30 3000K	
	2 2'	4 4'	P31 3,100lm	9 90 ^[4]	35 3500K	
			2x2		40 4000K	
	2x2		P20 2,000lm		50 5000K	
			P29 2,900lm		TW Tunable white (3000K-5000K)	
	2x4		P21 2,100lm		TW2 Tunable white (2700K-6500K)	
			P31 3,100lm			
			P65 6,500lm			

SPECIFICATIONS

- HOUSING – Precision die-formed 20-gauge C.R.S.
- REFLECTOR – Precision die-formed 22-gauge C.R.S. Highly reflective non-glare matte white polyester powder coat.
- SHIELDING – Diffuse ribbed acrylic.
- FINISH – Textured matte white polyester TGIC powder coat bonded to phosphate-free, multi-stage pretreated metal. All parts painted after fabrication to facilitate installation, increase efficiency, and inhibit corrosion.
- ELECTRICAL – High quality mid-power LED board. L70 > 50,000 hours per IES TM-21. Low-voltage DC fixture, to be fed by Class 2 power supply. Tunable White products use LEDs of multiple CCTs and may produce a perceptibly different shade of white from single-CCT products at the same CCT. All CCTs are within 3 MacAdam ellipses.
- MOUNTING – Surface or suspended.
- LISTINGS – cCSAus certified as luminaire suitable for dry or damp locations.
- WARRANTY – 5-year limited warranty, see hew.com/warranty.

OPTIONS ^[6]

AMW Anti-microbial white finish

CONTROL ^[7]

POE PR Power over Ethernet, Platformatics-ready

SYSTEM REQUIREMENTS

- PoE-ready luminaires are connected to building power systems through network integration and require other components for complete PoE lighting system
- For additional PoE info, see hew.com/poe
- Consult factory for design support



NOTES

- ¹ Lumen output based on 80 CRI, 3000K for single CCT and 4000K for TW. Actual lumens may vary +/-5%, see page 2 for FIXTURE PERFORMANCE DATA.
- ² 4' length only.
- ³ 2' width only.
- ⁴ Extended lead times may apply. Consult factory for availability.
- ⁵ Increases lumen output by 3%.
- ⁶ See page 3 for FINISH OPTIONS. Suspended mounting available. See page 4 for SUSPENDED MOUNTING DETAILS.
- ⁷ See page 3 for NODE CONNECTION DETAILS. For additional PoE info, see hew.com/poe.



FIXTURE PERFORMANCE DATA

STANDARD

	LED PACKAGE	DELIVERED LUMENS	WATTAGE	EFFICACY (lm/W)
1x4	P21	2143	15.8	135.7
	P31	3144	24.8	126.8
2x2	P20	2015	15.2	132.7
	P29	2908	23.4	124.5
2x4	P21	2143	16.0	133.9
	P31	3144	24.0	131.0
	P65	6550	50.0	131.0

TUNABLE WHITE

	LED PACKAGE	DELIVERED LUMENS	WATTAGE	EFFICACY (lm/W)
1x4	P21	2116	16.3	129.7
	P31	3134	25.1	124.9
2x2	P20	2013	16.8	119.8
	P29	2907	25.8	112.8
2x4	P21	2116	16.3	129.7
	P31	3134	25.1	124.9
	P65	6530	50.1	130.4

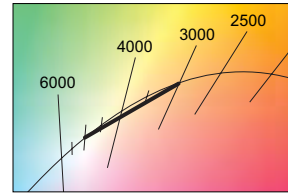
MULTIPLIER TABLES

	COLOR TEMPERATURE			
	CCT	STANDARD	TW	TW2
80 CRI	2700K	0.97	-	0.93
	3000K	0.99	0.95	0.95
	3500K	1.00	0.98	0.98
	4000K	1.03	1.00	1.00
	5000K	1.06	0.96	1.02
	6500K	-	-	1.01

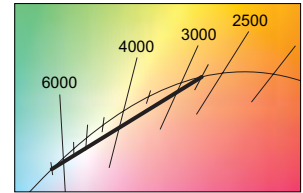
90 CRI	2700K	0.80	-	0.93
	3000K	0.82	0.91	0.95
	3500K	0.83	0.96	0.98
	4000K	0.86	1.00	1.00
	5000K	0.89	1.03	1.03
	6500K	-	-	1.02

- Photometrics tested in accordance with IESNA LM-79. Results shown are based on 25°C ambient temperature.
- Standard results based on 3500K standard, 80 CRI, actual lumens may vary ±5%.
- Tunable white results based on 4000K standard, 80 CRI, actual lumens may vary ±5%.
- Use multiplier tables to calculate additional options.

TW

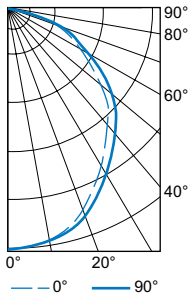


TW2



PHOTOMETRY

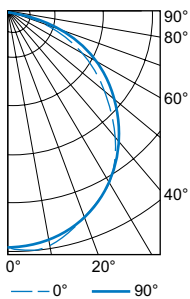
PTS-24-P65/835-RA Total Luminaire Output: 6550 lumens; 50 Watts | Efficacy: 131 lm/W | 80 CRI; 3500K CCT



VERTICAL ANGLE	HORIZONTAL ANGLE			ZONAL LUMENS
	0°	45°	90°	
0	2506	2506	2506	
5	2468	2464	2451	236
15	2395	2403	2413	673
25	2110	2139	2165	974
35	1706	1760	1805	1098
45	1387	1463	1538	1120
55	1008	1104	1192	990
65	653	774	879	764
75	310	475	588	500
85	63	210	241	196
90	0	0	0	

LUMEN SUMMARY	ZONE	LUMENS	% FIXTURE
	0 - 30	1883	29
	0 - 40	2981	46
	0 - 60	5091	78
	0 - 90	6550	100
	0 - 180	6550	100

PTS-14-P31/835-RA Total Luminaire Output: 3144 lumens; 25 Watts | Efficacy: 127 lm/W | 80 CRI; 3500K CCT

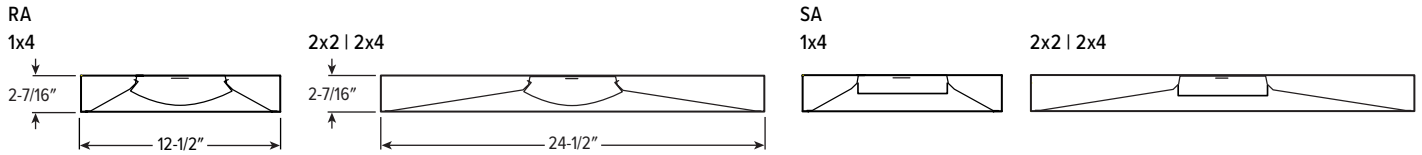


VERTICAL ANGLE	HORIZONTAL ANGLE			ZONAL LUMENS
	0°	45°	90°	
0	1191	1191	1191	
5	1210	1185	1180	113
15	1152	1138	1132	320
25	1044	1040	1044	478
35	896	898	920	565
45	704	738	762	568
55	506	553	598	496
65	322	380	403	366
75	144	193	197	195
85	20	33	38	44
90	0	0	0	

LUMEN SUMMARY	ZONE	LUMENS	% FIXTURE
	0 - 30	911	29
	0 - 40	1475	47
	0 - 60	2539	81
	0 - 90	3144	100
	0 - 180	3144	100



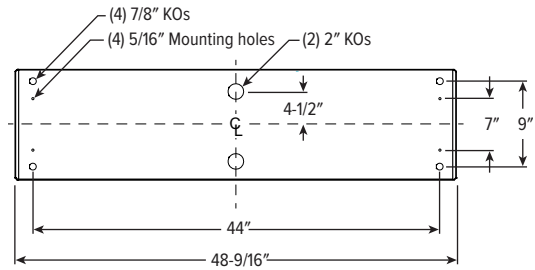
CROSS SECTIONS



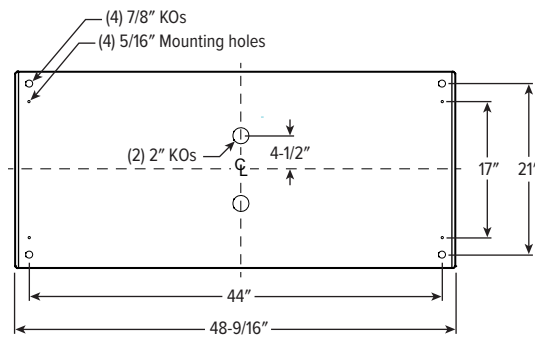
FIXTURE DETAILS

BACKVIEW

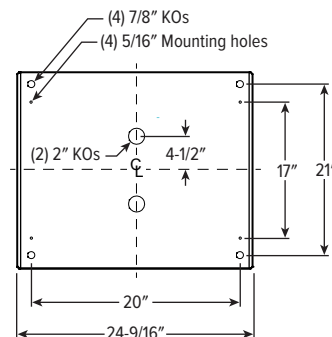
1x4



2x4

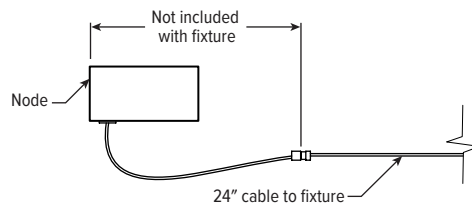


2x2

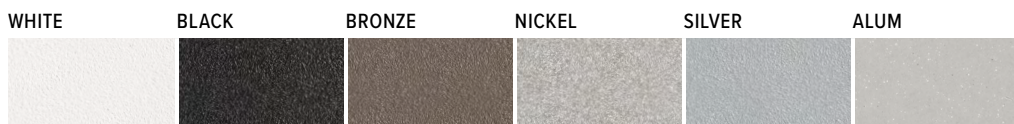


NODE CONNECTION DETAILS

Includes 24" cable with 4-position mating connector for Platformatics POE-LN2 node. See node spec sheet for details: platformatics.com/product/poe-ln2



FINISH OPTIONS



For custom color, please specify RAL code or a manufacturer code with description. All custom colors other than RAL require two sample swatches, minimum 1" square.



SUSPENDED MOUNTING DETAILS

AIRCRAFT CABLE

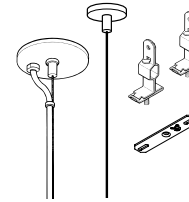
ORDERING EXAMPLE: ACF*4P/D48			
PREFIX	TYPE	LENGTH	
ACF*4P	Four point mount adjustable aircraft cable	D 1" grid & hardpan	24 24"
			48 48"
		N 9/16" grid	96 96"
		S Slot grid	144 144"
			192 192"
		240 240"	
		300 300"	

LOW-VOLTAGE CORD OPTIONS

Must specify low-voltage cord when cable mounting.

ORDERING EXAMPLE: P24/W		
CORD TYPE	LENGTH	COLOR
P PoE	24 24"	/W White
	48 48"	/B Black
	96 96"	

STANDARD HARDWARE (Grid & Hardpan)



- Fixtures are provided with adjustable length aircraft cables and mounting hardware, must specify.
- One 5" canopy used at power feed location. Three other suspension points use 2" canopy at the non-feed point.

