

CATALOG #: _____

TYPE: _____

PROJECT: _____

FEATURES

- Tunable white from 3000K to 5000K CCT, minimum 80 CRI
- Shallow fixture depth for low ceiling applications
- Uniform ambient illumination
- Companion recessed and retrofit kit preserve continuity, see hew.com
- Maximize energy savings with efficacies up to 120 lm/W
- Heavy duty C.R.S. construction
- Made Right Here® in the USA

SPECIFICATIONS

- HOUSING – Precision die-formed 20-gauge C.R.S.
- REFLECTOR – Precision die-formed 22-gauge C.R.S. Highly reflective non-glare matte white polyester powder coat.
- SHIELDING – Diffuse ribbed acrylic.
- FINISH – Textured matte white polyester TGIC powder coat bonded to phosphate-free, multi-stage pretreated metal. All parts painted after fabrication to facilitate installation, increase efficiency, and inhibit corrosion.
- ELECTRICAL – High quality mid-power LED boards. L70 >50,000 hours per IES TM-21. Tunable White products use LEDs of multiple shade of white from single-CCT products at the same CCT. All CCTs are within 3 MacAdam ellipses.
- MOUNTING – Surface mount.
- LISTINGS – cCSAus certified as luminaire suitable for dry or damp locations.
- WARRANTY – 5-year limited warranty, see hew.com/warranty.

ORDERING EXAMPLE: PTS - 2 4 - L77/8TW - RA - OPTIONS - DALI - UNV

ORDERING INFO

SERIES	WIDTH	LENGTH	LUMENS ^[1]	COLOR	SHIELDING
PTS	1 1' ^[2]	2 2' ^[3]	1x4	8TW Tunable white (80 CRI, 3000K–5000K)	RA Diffuse ribbed acrylic, round
		2 2'	L32 3,200lm		SA Diffuse ribbed acrylic, square ^[4]
	2x2	L43 4,300lm			
		L29 2,900lm			
	2x4	L43 4,300lm			
		L33 3,300lm			
			L58 5,800lm		
			L77 7,700lm		

OPTIONS	CONTROL ^[5]	VOLTAGE
EM/7W 7-watt emergency LED battery ^[6]	DALI Driver prewired for DALI applications	120 120V
EM/7WRM Remote mount 7-watt emergency battery ^[7]	DIM (1) 0-10V signal to control dimming (1) 0-10V signal to control CCT	277 277V
EM/10W 10-watt emergency battery ^[8]	DMX Driver prewired for DMX applications	UNV 120-277V
EM/10WLP Low-profile 10-watt emergency battery ^[9]	PSQ Lutron T-Series 2-channel tunable white 1%.	
EM/12W (L__)	Additional lower lumen packages available. Example: 7,000 lumens = PTS-24-L77/8TW-(L70) ^[11]	
AMW Anti-microbial white finish		

NOTES

- ¹ Lumen output based on 3500 CCT. Actual lumens may vary +/-5%, see page 2 for FIXTURE PERFORMANCE DATA.
- ² 4' length only.
- ³ 2' width only.
- ⁴ Increases lumen output by 3%.
- ⁵ See page 2 for CONTROL DETAILS.
- ⁶ 2x2 and 2x4 only.
- ⁷ 1x4 only.
- ⁸ 2x2 & 2x4 only.
- ⁹ 1x4 only.
- ¹⁰ 2x2 & 2x4 only.
- ¹¹ Specify in increments of 100 nominal lumens. Option must be specified with next higher lumen package.

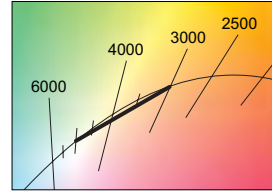


FIXTURE PERFORMANCE DATA

	LED PACKAGE	DELIVERED LUMENS	WATTAGE	EFFICACY (lm/W)
1x4	L32	3292	27.4	120.3
	L43	4319	37.1	116.4
2x2	L29	2929	26.8	109.1
	L43	4422	38.8	113.9
2x4	L33	3423	28.6	119.9
	L58	5878	52.6	111.8
	L77	7716	65.0	118.8

MULTIPLIER TABLE

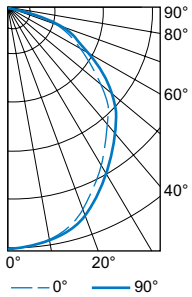
CCT	CONVERSION FACTOR	
	LUMENS	WATTAGE
3000K	0.95	1.04
3500K	0.98	1.02
4000K	1.00	1.00
5000K	0.96	1.04



- Photometrics tested in accordance with IESNA LM-79. Results shown are based on 25°C ambient temperature.
- Wattage shown is average for 120V through 277V input.
- Results based on 4000K, 80 CRI, actual lumens may vary +/-5%
- Use multiplier table to calculate additional options.

PHOTOMETRY

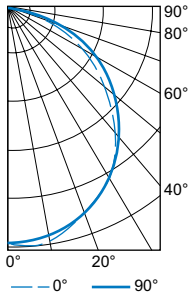
PTS-24-L77/8TW-RA-DALI Total Luminaire Output: 7716 lumens; 65 Watts | Efficacy: 119 lm/W | 82.7 CRI; 3494K CCT



VERTICAL ANGLE	HORIZONTAL ANGLE			ZONAL LUMENS
	0°	45°	90°	
0	2952	2952	2952	
5	2907	2903	2888	277
15	2822	2831	2843	793
25	2486	2519	2550	1148
35	2009	2073	2127	1294
45	1634	1724	1812	1320
55	1188	1300	1404	1166
65	769	912	1036	900
75	365	560	693	589
85	74	247	283	231
90	0	0	0	

LUMEN SUMMARY	ZONE	LUMENS	% FIXTURE
	0 - 30	2218	29
	0 - 40	3511	46
	0 - 60	5997	78
	0 - 90	7716	100
	0 - 180	7716	100

PTS-14-L43/8TW-RA-DALI Total Luminaire Output: 4319 lumens; 37 Watts | Efficacy: 116 lm/W | 84.9 CRI; 3544K CCT



VERTICAL ANGLE	HORIZONTAL ANGLE			ZONAL LUMENS
	0°	45°	90°	
0	1574	1574	1574	
5	1610	1592	1568	151
15	1538	1534	1516	431
25	1407	1414	1397	647
35	1224	1240	1241	769
45	977	1020	1035	778
55	699	768	801	683
65	448	531	545	508
75	199	279	291	284
85	31	50	59	70
90	0	0	0	

LUMEN SUMMARY	ZONE	LUMENS	% FIXTURE
	0 - 30	1228	28
	0 - 40	1997	46
	0 - 60	3457	80
	0 - 90	4319	100
	0 - 180	4319	100

CONTROL DETAILS

DIM



DALI



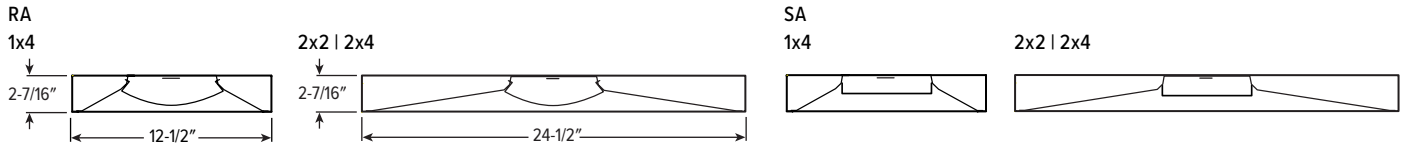
DMX



LUTRON T-SERIES



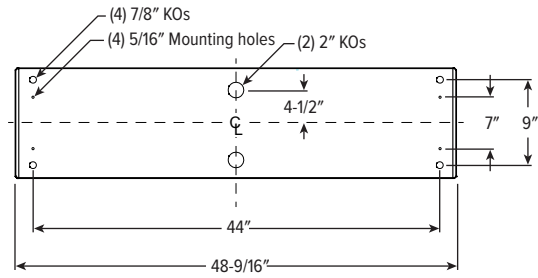
CROSS SECTIONS



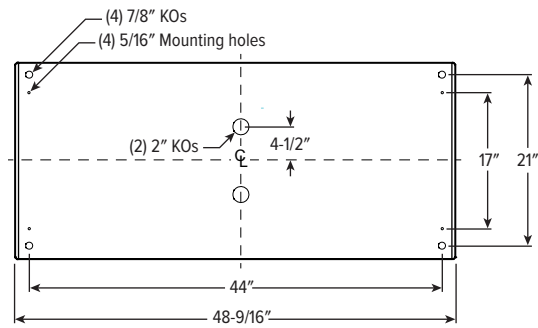
FIXTURE DETAILS

BACKVIEW

1x4



2x4



2x2

