

CATALOG #: \_\_\_\_\_

TYPE: \_\_\_\_\_

PROJECT: \_\_\_\_\_

## FEATURES

- Round, suspended architectural fixture adds visual interest to a variety of applications
- Sleek aircraft cable or pendant mount
- Provides soft, uniform ambient illumination
- Lift-and-twist lens assembly allows for easy maintenance
- Efficacies up to 143 lm/W
- Available with Avi-on wireless fixture controls
- Made Right Here® in the USA

## SPECIFICATIONS

- HOUSING – .080" spun aluminum outer housing with C.R.S. back plate.
- SHIELDING – Frosted acrylic lens, .125" thick.
- FINISH – Textured matte white polyester TGIC powder coat bonded to phosphate-free, multi-stage pretreated metal. All parts painted after fabrication to facilitate installation, increase efficiency, and inhibit corrosion.
- ELECTRICAL – High quality mid-power LED boards. L85 at 50,000 hours. 25°C maximum ambient operating temperature.
- MOUNTING – Suspended. Adjustable steel aircraft cable mounts to 1/4-20 stud provided by others; or use 3/8" IPS stem and canopy kit.
- LISTINGS – CCSAus certified as luminaire suitable for dry or damp locations.
- WARRANTY – 5-year limited warranty, see [hew.com/warranty](http://hew.com/warranty).

ORDERING EXAMPLE: RNDP - 4 - L200/835 - FXA - ACF\*4P/D24 - OPTIONS - CONTROL/DIM - UNV

## ORDERING INFO

SERIES	DIAMETER	LUMENS <sup>[1]</sup>	CRI	CCT	LENS
RNDP	2 2'	2'	8 80	27 2700K	FXA Frosted convex acrylic lens
	3 3'	L25 2,500lm	9 90 <sup>[2]</sup>	30 3000K	
	4 4'	L45 4,500lm		35 3500K	
		L83 8,300lm		40 4000K	
		3'		50 5000K	
		L67 6,700lm			
		L150 15,000lm			
		4'			
		L136 13,600lm			
		L200 20,000lm			

## MOUNTING AND POWER (EXAMPLE: ACF\*4P/D24) <sup>[3]</sup>

Prefix	Fixture Size	Type	Length
ACF*	3P/ 2' or 3' unit	D 1" grid & hardpan	24 24"
	4P/ 4' unit	N 9/16" grid	48 48"
		S Slot grid	96 96"

## OPTIONS <sup>[4]</sup>

EM/10WRM Remote mount 10-watt emergency battery <sup>[5]</sup>  
(L\_\_)  
Additional lower lumen packages available. Specify in increments of 100 nominal lumens.  
Example: 9,500 nominal lumens = RNDP-4-L136/835-FXA-(L95)

## CONTROL <sup>[6]</sup>

– None  
AVI-LVFA Avi-on wireless fixture control <sup>[8]</sup>

## DRIVER <sup>[7]</sup>

DIM Driver with external dimming wires  
DIM1 1% Dimming driver, 0-10V  
DRV Driver without external dimming wires  
DA Driver with 12V auxiliary power, without external dimming wires <sup>[9]</sup>

## VOLTAGE

120 120V  
277 277V  
UNV 120-277V



## NOTES

- <sup>1</sup> Nominal lumen output based on 3500K CCT. Actual lumens may vary +/-5%, see page 2 for FIXTURE PERFORMANCE DATA. Additional lumen packages available, see options.
- <sup>2</sup> Extended lead times may apply. Consult factory for availability.
- <sup>3</sup> See page 3 for MOUNTING DETAILS.
- <sup>4</sup> See page 3 for FINISH OPTIONS.
- <sup>5</sup> Requires remote mounted battery, provided with remote mounting enclosure for installation in ceiling above fixture. Separate power and control wiring to remote box required. See page 3 for MOUNTING DETAILS.

- <sup>6</sup> See page 4 for AVI-ON BLUETOOTH WIRELESS CONTROL DETAILS.
- <sup>7</sup> See page 6 for ADDITIONAL DRIVER OPTIONS.
- <sup>8</sup> DA Driver only.
- <sup>9</sup> Avi-on Controls only.



## FIXTURE PERFORMANCE DATA

	LED PACKAGE	DELIVERED LUMENS	WATTAGE	EFFICACY (lm/W)
2'	L25	2528	24.3	104.1
	L45	4530	45.7	99.2
	L83	8195	85.0	96.4
3'	L67	6717	57.9	115.9
	L150	15019	136.3	110.9
4'	L136	13649	95.4	143.0
	L200	20070	147.7	135.9

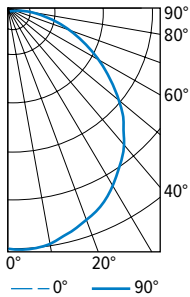
### MULTIPLIER TABLES

		COLOR TEMPERATURE	
		CCT	CONVERSION FACTOR
80 CRI	2700K		0.97
	3000K		0.99
	3500K		1.00
	4000K		1.03
	5000K		1.06
90 CRI	2700K		0.80
	3000K		0.82
	3500K		0.83
	4000K		0.86
	5000K		0.89

- Photometrics tested in accordance with IESNA LM-79. Results shown are based on 25°C ambient temperature.
- Wattage shown is average for 120V through 277V input.
- Results based on 3500K, 80 CRI, actual lumens may vary +/-5%
- Use multiplier table to calculate additional options.

## PHOTOMETRY

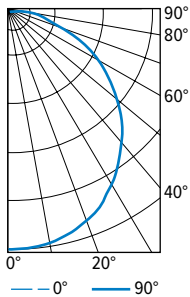
**RNDP-2-L83/835-FXA** Total Luminaire Output: 8197 lumens; 85.0 Watts | Efficacy: 96.4 lm/W | 80.0 CRI; 3500K CCT



CANDLEPOWER DISTRIBUTION	VERTICAL ANGLE	HORIZONTAL ANGLE			ZONAL LUMENS
		0°	45°	90°	
	0	2844	2844	2844	
	5	2860	2840	2827	270
	15	2764	2754	2744	776
	25	2558	2548	2551	1178
	35	2272	2265	2252	1416
	45	1922	1876	1889	1457
	55	1463	1443	1453	1307
	65	1004	1001	1004	992
	75	555	559	539	584
	85	186	176	183	216
	90	76	83	86	

LUMEN SUMMARY	ZONE	LUMENS	% FIXTURE
	0 - 30	2224	27
	0 - 40	3640	44
	0 - 60	6405	78
	0 - 90	8197	100
	0 - 180	8197	100

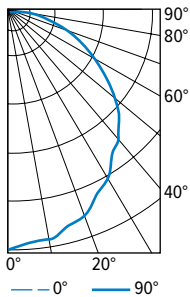
**RNDP-3-L150/835-FXA** Total Luminaire Output: 15114 lumens; 136.3 Watts | Efficacy: 110.9 lm/W | 80.0 CRI; 3500K CCT



CANDLEPOWER DISTRIBUTION	VERTICAL ANGLE	HORIZONTAL ANGLE			ZONAL LUMENS
		0°	45°	90°	
	0	5225	5225	5225	
	5	5206	5202	5204	495
	15	5034	5050	5050	1424
	25	4684	4695	4689	2161
	35	4155	4146	4180	2602
	45	3456	3490	3490	2690
	55	2711	2704	2709	2418
	65	1848	1871	1850	1841
	75	988	1024	974	1061
	85	322	329	307	376
	90	123	129	120	

LUMEN SUMMARY	ZONE	LUMENS	% FIXTURE
	0 - 30	4080	27
	0 - 40	6682	44
	0 - 60	11790	78
	0 - 90	15068	100
	0 - 180	15114	100

**RNDP-4-L200/835-FXA** Total Luminaire Output: 20070 lumens; 147.7 Watts | Efficacy: 135.9 lm/W | 80.0 CRI; 3500K CCT



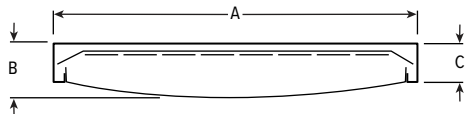
CANDLEPOWER DISTRIBUTION	VERTICAL ANGLE	HORIZONTAL ANGLE			ZONAL LUMENS
		0°	45°	90°	
	0	7356	7356	7356	
	5	7102	7096	7090	678
	15	6803	6794	6797	1924
	25	6157	6149	6154	2858
	35	5367	5357	5364	3388
	45	4700	4691	4697	3574
	55	3598	3592	3604	3188
	65	2477	2464	2480	2432
	75	1313	1316	1316	1430
	85	467	475	475	547
	90	185	188	188	

LUMEN SUMMARY	ZONE	LUMENS	% FIXTURE
	0 - 30	5461	27
	0 - 40	8849	44
	0 - 60	15611	78
	0 - 90	20019	100
	0 - 180	20070	100



# RNDP LED Round Architectural Pendant

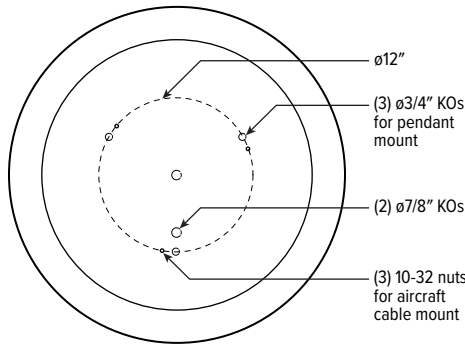
## CROSS-SECTION



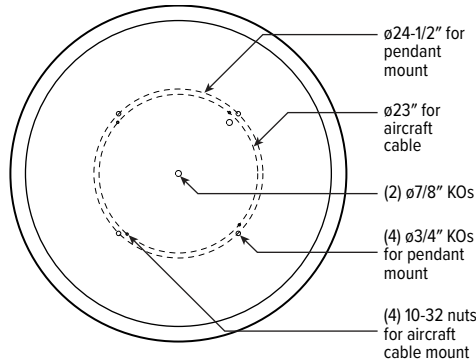
FIXTURE SIZE	A (DIA.)	B	C
2'	ø26-3/16"	6-11/16"	5-1/8"
3'	ø36-11/16"	7-3/16"	5-1/8"
4'	ø48-11/16"	7-11/16"	5-1/8"

## MOUNTING DETAILS

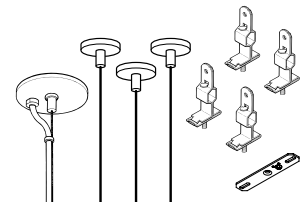
### 2' MOUNTING INFORMATION



### 4' MOUNTING INFORMATION



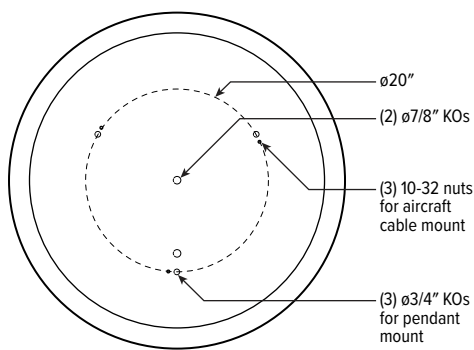
### STANDARD MOUNTING HARDWARE



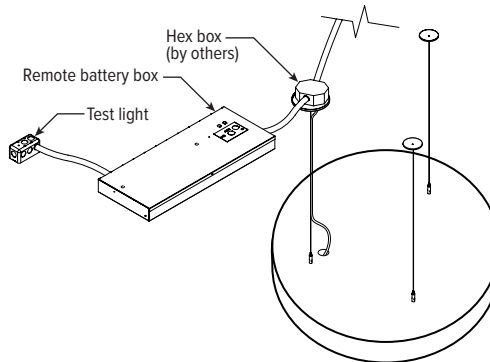
Fixtures are provided with:

- Adjustable length aircraft cables, must specify
- White cord, No. 18 AWG
- One 5" and two or three 2" canopies
- T-bar clips with 1/4-20 stud
- Hard ceiling anchor provided by others
- The feeder kits are standard with a 5" canopy to cover the junction box and a 2" canopy at the non-feed point. No J-box is required at non-feed points.
- See [instruction sheet](#) for more information.

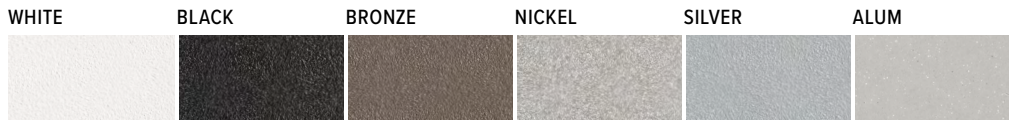
### 3' MOUNTING INFORMATION



### EM/10WRM DETAILS



## FINISH OPTIONS



For custom color, please specify RAL code or a manufacturer code with description. All custom colors other than RAL require two sample swatches, minimum 1" square.



## AVI-ON BLUETOOTH WIRELESS CONTROL DETAILS

### AVI-ON NETWORK FEATURES

#### Simple

- Gateway-free distributed control
- Factory pre-commissioning
- Contractor friendly installation
- Occupancy/vacancy/daylight sensing

#### Scalable

- Virtually unlimited network size
- Spans small areas to large warehouses
- Flexible control strategies

#### Secure

- Optional cloud connectivity
- UL IoT platinum security rating
- DLC 5.0 compliant

### DIGITAL INSTALLATION TOOLS

Avi-On mobile apps provide intuitive, quick installation and commissioning. Pro tools are available to qualified installers.



Commissioning Mobile App



Zone Scanner Web App



Commissioning Pro App

### SYSTEM COMPONENTS



The Bluetooth® word mark and logos are registered trademarks owned by Bluetooth SIG, Inc. and any use of such marks by Avi-On is under license. Other trademarks and trade names are those of their respective owners.

### ACCESSORIES

WALL STATIONS	
AVI-2401AC	Scene controller - numbered 1-4, 120-277VAC
AVI-2402BAT	Scene controller - numbered 1-4, battery powered
AVI-2401AC-2	Dimmer with presets - percentages, 120-277VAC
AVI-2402BAT-2	Dimmer with presets - percentages, battery powered
AVI-2401AC-3	On/off/dimming, 120-277VAC
AVI-2402BAT-3	On/off/dimming, battery powered
CONNECTIVITY	
AVI-2001RAB-01-P	Remote access bridge for projects 100 or greater
AVI-2001RAB-01-C	Remote access bridge for projects less than 100
AVI-KIT-NTM	Network time manager with Battery Backup
CEILING MOUNT SENSORS	
AVI-KIT-SEN-DUCM	PIR motion and ultrasonic sensor kit
AVI-KIT-SEN-ICM	PIR motion and photocell sensor kit

For load controllers and additional accessory info, see [hew.com/avi-on](http://hew.com/avi-on)

### ADDITIONAL DRIVER OPTIONS

Note: Lumen restrictions apply, consult product builder at [hew.com/product-builder](http://hew.com/product-builder).

CATALOG NUMBER	DESCRIPTION
DRV	Driver prewired for non-dimming applications
DIM	Dimming driver prewired for 0-10V low voltage applications
DIM1	1% dimming driver prewired for 0-10V low voltage applications
DIM LINE	Line voltage dimming driver (TRIAC and ELV compatible, 120V only)
DIM TRC	Line voltage dimming driver (TRIAC compatible, 120V only)
DA	Dimming driver with 12V auxiliary
SD40	40% step-dimming driver
SD50	50% step-dimming driver
DALI	DALI dimming driver
LDE1	Lutron Hi-lume 1% EcoSystem dimming LED driver

