

RND-4 shown with FXA lens

CATALOG #: _____

TYPE: _____

PROJECT: _____

FEATURES

- Create scalable, highly functioning smart buildings with Platformatics Power over Ethernet controls
- Flat, convex, or concave lens profile adds visual interest to a variety of applications
- Provides soft, uniform ambient illumination
- Adjustable ring and lens assembly provides clean appearance
- Inner flange prevents light leaks
- Lift-and-twist lens assembly allows for easy maintenance
- Drywall or grid system installation
- Made Right Here® in the USA

SPECIFICATIONS

- HOUSING – 20-gauge C.R.S.
- SHIELDING – Frosted acrylic lens, .125" thick.
- FINISH – 92% minimum average reflective white polyester powder coat bonded to phosphate-free, multi-stage pretreated metal on reflective surfaces. Textured matte white powder after fabrication to facilitate installation, increase efficiency, and inhibit corrosion.
- ELECTRICAL – High quality mid-power LED boards. L85 at 50,000 hours. Low-voltage DC fixture, to be fed by Class 2 power supply.
- MOUNTING – For installation in NEMA Type "G", "SS", or "F" ceiling systems. Earthquake clips are standard. Fixture must be installed prior to ceiling system installation.
- LISTINGS – cCSAus certified as luminaire suitable for dry or damp locations.
- WARRANTY – 5-year limited warranty, see hew.com/warranty.

SYSTEM REQUIREMENTS

- PoE-ready luminaires are connected to building power systems through network integration and require other components for complete PoE lighting system
- For additional PoE info, see hew.com/poe
- Consult factory for design support



ORDERING EXAMPLE: RND - 4 - P105/835 - FXA - POE PR

ORDERING INFO

SERIES	DIAMETER	LUMENS ^[1]	CRI	CCT	LENS ^[2]	
RND	2 2'	2'	8 80	27 2700K	FXA Frosted convex acrylic lens	
	3 3'	P19 1,900lm	9 90 ^[3]	30 3000K	FCA Frosted concave acrylic lens	
	4 4'	P51 5,100lm	4'	35 3500K	35 3500K	FFA Frosted flat acrylic lens
				40 4000K	40 4000K	
				50 5000K	50 5000K	
				P105 10,500lm		

CONTROL ^[4]

POE PR Power over Ethernet, Platformatics-ready

NOTES

- ¹ Nominal lumen output based on 3500K CCT and FXA shielding. Actual lumens may vary +/-5%, see page 2 for FIXTURE PERFORMANCE DATA
- ² See page 2 for FIXTURE DETAILS.
- ³ Extended lead times may apply. Consult factory for availability.
- ⁴ See page 3 for NODE CONNECTION DETAILS. For additional PoE info, see hew.com/poe.

FIXTURE PERFORMANCE DATA

	LED PACKAGE	NOMINAL LUMENS	WATTAGE	EFFICACY (lm/W)
2'	P19	1904	24	79.3
3'	P51	5141	49	104.9
4'	P105 ¹	10542	100	105.4

¹ Fixture contains two nodes, one power drop per node required.

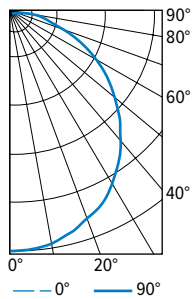
- Photometrics tested in accordance with IESNA LM-79. Results shown are based on 25°C ambient temperature.
- Results based on 3500K, 80 CRI, actual lumens may vary +/-5%
- Use multiplier table to calculate additional options.

MULTIPLIER TABLES

COLOR TEMPERATURE		
	CCT	CONVERSION FACTOR
80 CRI	2700K	0.97
	3000K	0.99
	3500K	1.00
	4000K	1.03
	5000K	1.06
90 CRI	2700K	0.80
	3000K	0.82
	3500K	0.83
	4000K	0.86
	5000K	0.89

PHOTOMETRY

RND-4-P105/835-FXA Total Luminaire Output: 10542 lumens; 100 Watts | Efficacy: 105 lm/W | 80 CRI; 3500K CCT

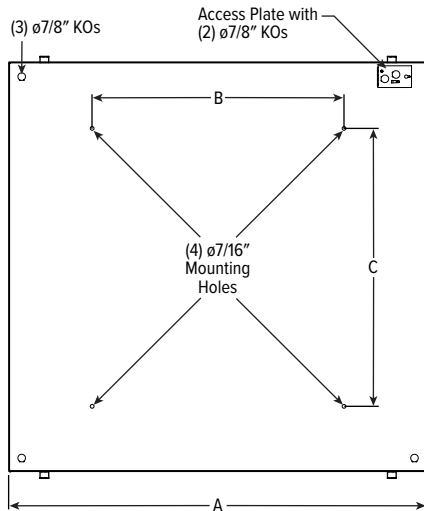


CANDLEPOWER DISTRIBUTION	VERTICAL ANGLE	HORIZONTAL ANGLE			ZONAL LUMENS
		0°	45°	90°	
	0	3820	3820	3820	
	5	3737	3732	3732	356
	15	3544	3546	3544	1006
	25	3286	3281	3281	1510
	35	2851	2851	2851	1786
	45	2431	2427	2431	1859
	55	1873	1873	1866	1661
	65	1289	1286	1284	1271
	75	699	695	699	755
	85	259	259	262	297
	90	110	110	110	

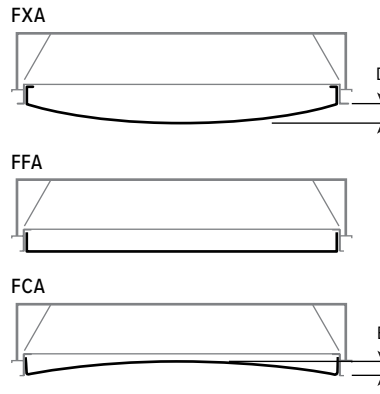
LUMEN SUMMARY	ZONE	LUMENS	% FIXTURE
	0 - 30	2872	27
	0 - 40	4658	44
	0 - 60	8179	78
	0 - 90	10501	100
	0 - 180	10542	100

FIXTURE DETAILS

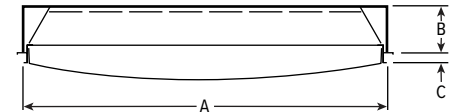
BACK VIEW



LENS PROFILES



CROSS SECTIONS



FIXTURE SIZE	A (DIA.)	B	C	
			MIN.	MAX.
2'	23"	6-1/16"	1-1/4"	2"
3'	35"	6-1/16"	1-1/4"	2"
4'	47"	6-1/16"	1-1/4"	2"

SERIES	A	B	C	D	E	CUTOUT SIZES
RND-2	24"	14"	10"	1-9/16"	1-1/2"	ø22-1/4" ±1/4"
RND-3	36"	20"	24"	2-1/16"	1-1/2"	ø34-1/4" ±1/4"
RND-4	48"	29"	32"	2-9/16"	1-1/2"	ø46-1/4" ±1/4"

NOTE: Fixture must be installed prior to ceiling system installation.



NODE CONNECTION DETAILS

Includes 24" cable with 4-position mating connector for Platformatics POE-LN2 node. See node spec sheet for details: platformatics.com/product/poe-ln2

