

10" RECTANGULAR STEP LIGHT

S10

LED

CATALOG #:	TYPE:
PROJECT:	NOTES:

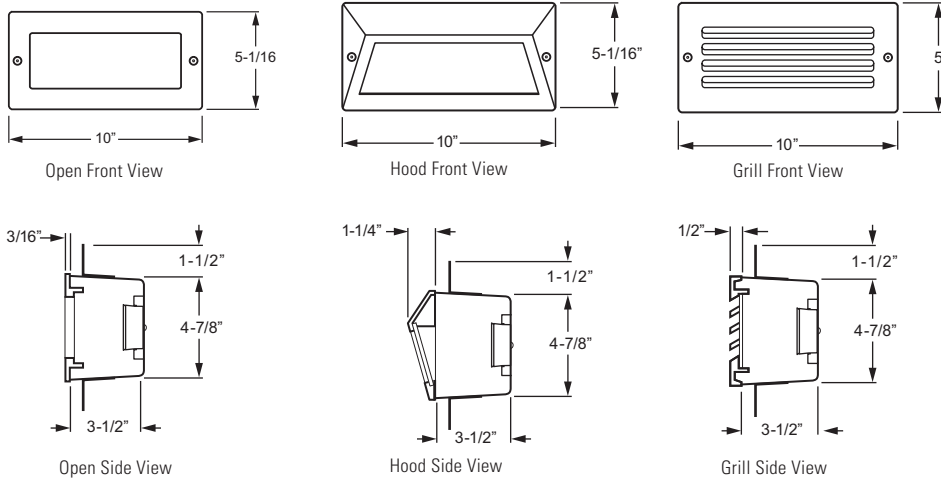
EXAMPLE **S10 - G - L3/840 - FTG - DBZ - DIM - 120**

SERIES FACEPLATE STYLE LUMEN PACKAGE CRI & CCT LENS FACEPLATE FINISH DRIVER VOLTAGE



Shown with grill faceplate

CROSS SECTION



FEATURES

- ▶ LEDs provide high-efficacy and a variety of color temperature options.
- ▶ LED module with driver allows for easy replacement or upgrades.
- ▶ 80 CRI minimum.
- ▶ 2700K, 3000K, 3500K, and 4000K color temperatures.
- ▶ Available with frosted or opal lens.
- ▶ Adjustable mounting brackets.
- ▶ Sturdy cast aluminum housing sealed for weathertight performance.
- ▶ This fixture is proudly made in the USA.

ORDERING INFORMATION

SERIES
S10 10" Rectangular Step Light

FACEPLATE STYLE
O Open
H Hood
G Grill

LED PACKAGE

Example: L3/840			WATTAGE
LUMEN PACKAGE	NOMINAL LUMENS	MINIMUM CRI & CCT	
L3	300	827 = 80CRI, 2700K 830 = 80CRI, 3000K 835 = 80CRI, 3500K 840 = 80CRI, 4000K	14

Nominal lumens based on 4000K CCT, G faceplate style and FTG lens, actual lumens may vary.

LENS
FTG Frosted tempered glass, .188" thick
OPAL Opal polycarbonate, .125" thick

FACEPLATE FINISH
 For custom color options, visit the S10 at hew.com.¹
BLK Black (RAL #9004)
DBZ Dark bronze
DBR Medium bronze
GRAY Standard gray
GRN Green (RAL #6005)
SLV Satin aluminum (RAL #9006)
WHT White (RAL #9003)
RAL# Specify custom color

DRIVER
DIM 10% dimming driver prewired for 0-10V low voltage applications

VOLTAGE
120 120V
277 277V

¹ For custom colors other than RAL, manufacturers' code plus two swatches (minimum 1" square) required.



S10

LED

10" RECTANGULAR STEP LIGHT

SPECIFICATIONS

Housing – Minimum .188" thick cast aluminum housing with two 1/2" NPS threaded hub and plugged conduit entry points.

Shield – Removable cast aluminum shield gasketed and secured with countersunk, stainless steel allen head screws.

Lens – Polycarbonate or frosted tempered glass, sealed with silicone.

Finish – Super durable polyester powder coat meets and exceeds AAMA 2604 specifications for outdoor durability.

Electrical – High quality mid-power LED board. Rated for 50,000 hours at 70% lumen maintenance (L70). Prewired at factory for easy field installation.

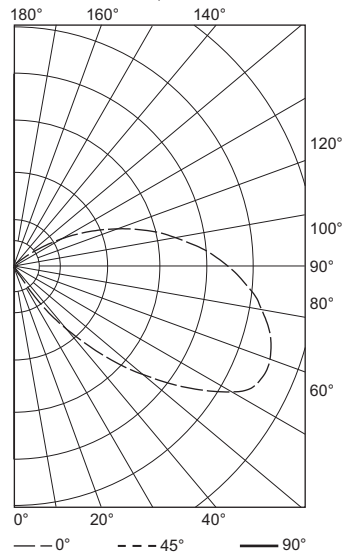
Mounting – Recessed wall mount. Adjustable aluminum mounting brackets provided.

Labels – cETLus conforms to UL STD 1598; Certified to CAN/CSA STD C22.2 No. 250.0. Suitable for wet locations. RoHS compliant.

Warranty – 5-year limited warranty, see hew.com/warranty.

PHOTOMETRY

S10-G-L3/840-FTG-DBZ-120 Report #: ITL86573; 01/28/16 | Total Luminaire Output: 271 lumens; 13.8 Watts
Efficacy: 19.6 lm/W | 83 CRI; 4076K CCT

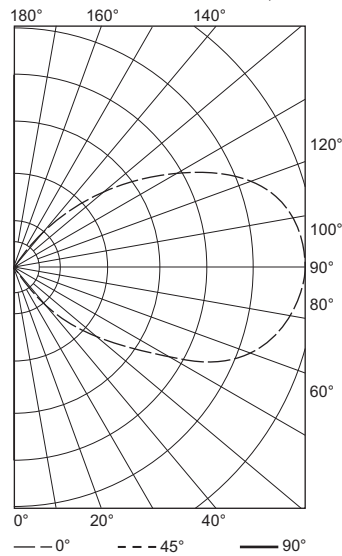


Vertical Angle	Horizontal Angle	Zonal Lumens
	0°	
0	0.	
5	1.	0
15	3.	0
25	7.	1
35	37.	5
45	88.	15
55	144.	31
65	181.	47
75	176.	52
85	155.	48
90	141.	
95	125.	36
105	89.	23
115	51.	10
125	14.	2
135	1.	0
145	1.	0
155	0.	0
165	0.	0
175	0.	0
180	0.	

LUMEN SUMMARY	Zone	Lumens	% Fixture
	0 - 30	1	0.5
	0 - 40	6	2.3
	0 - 60	52	19.3
	0 - 90	199	73.5
	90 - 180	72	26.5
	0 - 180	271	100.0

PHOTOMETRY

S10-O-L3/830-FTG-BLK 09/07/16 | Total Luminaire Output: 610 lumens; 10.7 Watts



Vertical Angle	Horizontal Angle	Zonal Lumens
	0°	
0	0.	
5	0.	.0
15	1.	.1
25	8.	.9
35	28.	4.1
45	88.	14.4
55	166.	35.0
65	255.	61.7
75	308.	85.9
85	332.	99.5
90	336.	
95	331.	99.7
105	316.	87.1
115	255.	63.0
125	173.	36.6
135	97.	15.9
145	33.	5.0
155	12.	1.2
165	2.	.2
175	0.	.0
180	0.	

LUMEN SUMMARY	Zone	Lumens	% Fixture
	0 - 30	1.	0.2
	0 - 40	5.	0.8
	0 - 60	55.	8.9
	0 - 90	302.	49.4
	90 - 180	309.	50.6
	0 - 180	610.	100.0



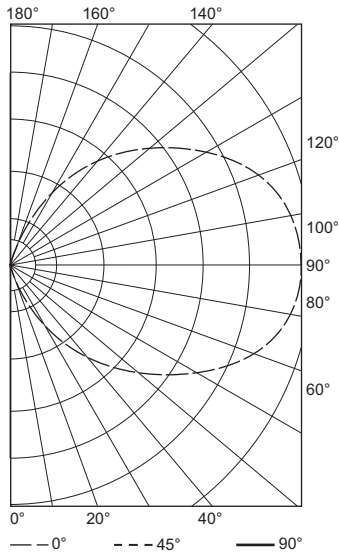
10" RECTANGULAR STEP LIGHT

S10

LED

PHOTOMETRY

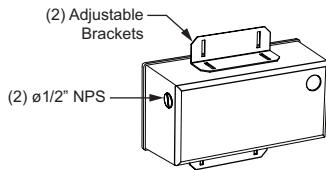
S10-O-L3/830-OPAL-BLK 09/07/16 | Total Luminaire Output: 433 lumens; 10.7 Watts



CANDLEPOWER DISTRIBUTION	Vertical Angle	Horizontal Angle	Zonal Lumens
		0°	
	0	0.	
	5	0.	.0
	15	7.	.5
	25	30.	3.5
	35	64.	10.1
	45	93.	19.5
	55	121.	30.7
	65	149.	42.1
	75	174.	51.8
	85	182.	57.3
	90	181.	
	95	181.	57.4
	105	170.	52.1
	115	153.	42.8
	125	128.	31.3
	135	95.	19.9
	145	63.	10.2
	155	31.	3.6
	165	8.	.5
	175	.2	.0
	180	0.	

LUMEN SUMMARY	Zone	Lumens	% Fixture
	0 - 30	4.	0.1
	0 - 40	14.0	3.2
	0 - 60	64.3	14.8
	0 - 90	215.5	49.7
	90 - 180	217.8	50.3
	0 - 180	433.3	100.0

FIXTURE DETAILS



Recessed wall mount. Aluminum brackets allow adjustable recessed wall mounting. Two 1/2" NPS threaded hub and plugged conduit entry points.

