

15" RECTANGULAR STEP LIGHT

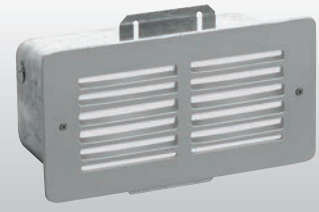
S15

LED

CATALOG #:	TYPE:
PROJECT:	NOTES:

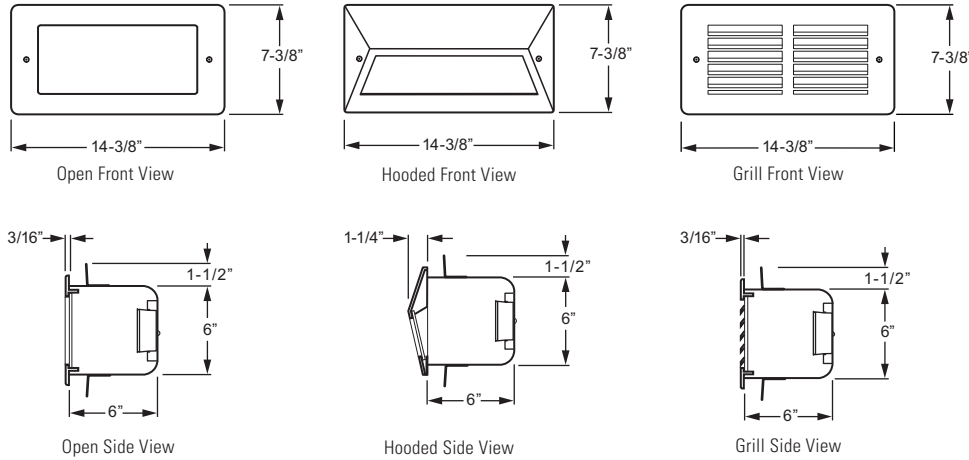
EXAMPLE **S15 - G - L6/840 - FTG - DBZ - DIM - 120**

SERIES FACEPLATE STYLE LUMEN PACKAGE CRI & CCT LENS FACEPLATE FINISH DRIVER VOLTAGE



Shown with grill faceplate

CROSS SECTION



FEATURES

- ▶ LEDs provide high-efficacy and a variety of color temperature options.
- ▶ LED module with driver allows for easy replacement or upgrades.
- ▶ 80 CRI minimum.
- ▶ 2700K, 3000K, 3500K, and 4000K color temperatures.
- ▶ Available with frosted or opal lens.
- ▶ Adjustable mounting brackets.
- ▶ Sturdy cast aluminum housing sealed for weathertight performance.
- ▶ This fixture is proudly made in the USA.

ORDERING INFORMATION

SERIES
S15 15" Rectangular Step Light

FACEPLATE STYLE
O Open
H Hooded
G Grill

LED PACKAGE

Example: L6/840			
LUMEN PACKAGE	DELIVERED LUMENS	MINIMUM CRI & CCT	AVERAGE SYSTEM WATTAGE
L3	340	827 = 80CRI, 2700K 830 = 80CRI, 3000K	14
L6	618	835 = 80CRI, 3500K 840 = 80CRI, 4000K	23

Nominal lumens based on 4000K CCT and G faceplate, actual lumens may vary.

LENS
FTG Frosted tempered glass, .188" thick
OPAL Opal polycarbonate, .125" thick

FACEPLATE FINISH
 For custom color options, visit the S15 at hew.com.¹
BLK Black (RAL #9004)
DBZ Dark bronze
DBR Medium bronze
GRAY Standard gray
GRN Green (RAL #6005)
SLV Satin aluminum (RAL #9006)
WHT White (RAL #9003)
RAL#_____ Specify custom color

DRIVER
DIM 10% dimming driver prewired for 0-10V low voltage applications

VOLTAGE
120 120V
277 277V

¹ For custom colors other than RAL, manufacturers' code plus two swatches (minimum 1" square) required.



LED

Catalog #: **S15-G-L6/840-FTG-DBZ-120**

SPECIFICATIONS

Housing – Minimum .188" thick cast aluminum housing with two 1/2" NPS threaded hub and plugged conduit entry points.

Shield – Removable cast aluminum shield gasketed and secured with countersunk, stainless steel allen head screws.

Lens – Polycarbonate or frosted tempered glass, sealed with silicone.

Finish – Super durable polyester powder coat meets and exceeds AAMA 2604 specifications for outdoor durability.

Electrical – High quality mid-power LED board. Rated for 50,000 hours at 70% lumen maintenance (L70). Prewired at factory for easy field installation.

Mounting – Recessed wall mount. Adjustable aluminum mounting brackets provided.

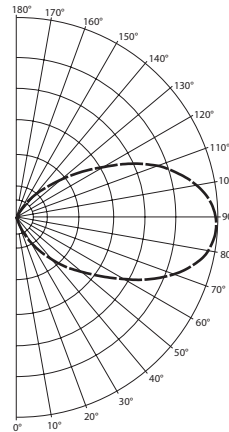
Labels – cETLus conforms to UL STD 1598; Certified to CAN/CSA STD C22.2 No. 250.0. Suitable for wet locations. RoHS compliant.

Warranty – 5-year limited warranty, see hew.com/warranty.

PHOTOMETRY

TEST REPORT INFORMATION

- ▶ Test Report #: ITL86572
- ▶ Date: 01/28/16
- ▶ Lamp Type: LED
- ▶ **Rated Lumens: 618**
- ▶ **Watts: 22.8**
- ▶ **Lumens Per Watt: 27.1**
- ▶ **CRI: 82**
- ▶ **CCT: 4007K**



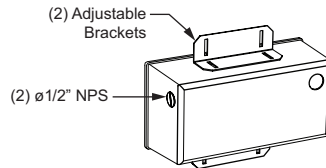
CANDLEPOWER DISTRIBUTION

Vertical Angle	Horizontal Angle 0°	Zonal Lumens
0°	0	
5°	0	0
15°	2	0
25°	24	2
35°	61	9
45°	109	21
55°	166	39
65°	249	65
75°	329	92
85°	368	107
90°	369	
95°	358	103
105°	303	83
115°	216	53
125°	129	27
135°	69	12
145°	32	4
155°	6	0
165°	0	0
175°	0	0
180°	0	

LUMEN SUMMARY

Zone	Lumens	% Fixture
0 - 30	2	0.4
0 - 40	11	1.8
0 - 60	71	11.4
0 - 90	335	54.3
90 - 180	282	45.7
Total Luminaire:		
0 - 180	618	100.0

FIXTURE DETAILS



Recessed wall mount. Aluminum brackets allow adjustable recessed wall mounting. Two 1/2" NPS threaded hub and plugged conduit entry points.