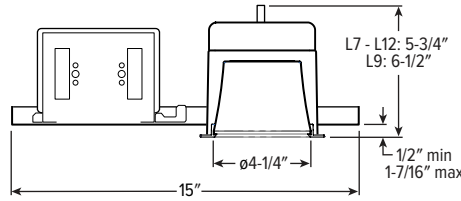


# V4DR dim to WARM 4.5" Vandal-Resistant Downlight – Round



CATALOG #: \_\_\_\_\_

TYPE: \_\_\_\_\_

PROJECT: \_\_\_\_\_

## FEATURES

- Dim to warm from 1800K to 3000K CCT, minimum 95 CRI
- Ideal for schools, hallways, dormitories, locker rooms, or other vandal prone areas
- 4 inch aperture is unobtrusive in small scale spaces
- Beam angles ranging from 25° narrow to 50° wide for tailored performance
- Die cast trim choices include flush, regressed or angled lens
- Contemporary design provides glare-free illumination for a soft ceiling appearance
- Easily adjust mounting arms below ceiling to adapt to a range of ceiling thicknesses

## SPECIFICATIONS

- **HOUSING** – Die-cast aluminum trim housing with forged aluminum heat sink. Galvanized steel splice compartment with driver mounting plate/enclosure. Swing-out mounting arms field adjust for ceiling thickness from 1/2" – 2-1/4".
- **LENSED TRIM** – Die-cast aluminum frame with micro-prismatic, polycarbonate lens. Trim is secured with four stainless steel, tamper-resistant screws.
- **ELECTRICAL** – High-performance Class 2 C.O.B. LED array. Modular quick-connect plug for easy field-connection of LED light assembly to driver. Reported L70>55,000 hours. Reported L90>55,000 hours. Estimated L70 = 200,000 hours.
- **MOUNTING** – Recessed. 20 ga. galvanized steel mounting pan for new construction or IC-rated enclosure.
- **LISTINGS** –
  - cCSAus conforms to UL STD 1598; Certified to CAN/CSA STD C22.2 No. 250.0 for damp locations. LED light assembly conforms to UL 2108 for remote installation.
  - Suitable for wet location under covered ceiling when specified with WET/CC option.
  - IC-rated for direct contact with insulation when specified with I Mounting Type.
  - City of Chicago Environmental Air approved when specified with CP option.
  - Complies with ASTM-E283 when specified with ATH option.
  - RoHS compliant.
- **WARRANTY** – 5-year limited warranty, see [hew.com/warranty](http://hew.com/warranty).

**ORDERING EXAMPLE: V4DR - L12/9DW - OPTIONS - DIM - UNV - LW - OF - WH - TRIM OPTIONS - N - F1**

## HOUSING

SERIES	LUMENS <sup>[1]</sup>	COLOR	OPTIONS	CONTROL	VOLTAGE
V4DR	L7 800lm	9DW Dim to warm (95 CRI, 1800K – 3000K)	ATH Airtight construction	DIM Dimming driver, 0-10V	UNV 120-277V 347 347V <sup>[6]</sup>
	L12 1,500lm		F Fuse		
	L19 2,400lm		EM/7W 7-watt emergency battery <sup>[2]</sup>		
			EM/10W 10-watt emergency battery <sup>[3]</sup>	LUT Lutron Ecosystem enabled	
			CP Chicago plenum (CCEA) <sup>[4]</sup>		
			SDT Stepdown transformer <sup>[5]</sup>		

## TRIM

TRIM TYPE	DISTRIBUTION <sup>[7]</sup>	FLANGE TYPE	REFLECTOR FINISH	TRIM OPTIONS
L Flush lens	W Wide	OF 1/2" standard flange	CS Clear semi-specular powder coat	MWT Textured white trim flange <sup>[11]</sup>
R Regressed lens	50° Flush		WH White texture powder coat	IP IP65 rated trim
A Angled lens <sup>[8]</sup>	50° Regressed		BL Black texture powder coat	PD Diffuse 1/8" polycarbonate lens <sup>[12]</sup>
	M Medium		MB Black texture splay with white flange <sup>[10]</sup>	WET/CC Wet location, covered ceiling listed
	35° Flush			AM Anti-microbial <sup>[13]</sup>
	30° Regressed			
	N Narrow			
	25° Flush			
	25° Regressed			
	WW Wall wash <sup>[9]</sup>			

## MOUNTING

### MOUNTING TYPE <sup>[14]</sup>

- N Open pan for new construction
- I IC-rated enclosure for new construction <sup>[16]</sup>

### MOUNTING HARDWARE <sup>[15]</sup>

- F1 Integral 2-position fixed pan bracket, universal bar hanger included <sup>[17]</sup>
- BA1 Adjustable butterfly pan bracket, bar hanger not included <sup>[18]</sup>
- CA1 Adjustable caterpillar pan bracket, universal bar hanger included <sup>[19]</sup>

## ACCESSORIES

**TPTX-10 TOOL** T10 torx bit 1/4" drive tamper-resistant tool. <sup>[20]</sup>

## NOTES

- Lumen output based on full light output, L trim type, W distribution and WH finish, 3500K/95CRI. Actual lumens may vary +/-5%, see page 2 for FIXTURE PERFORMANCE DATA.
- N and R Mounting Types only.
- N and R Mounting Types only.
- I Mounting Type required.
- May be required for 347V, see product builder at [hew.com/product-builder](http://hew.com/product-builder)
- Not available with EM batteries.
- Beam angle based on WH reflector finish.
- Available with WW Distribution only.
- A Trim Type only.
- R Trim Type only. Not available with MWT.
- Not available with WH Reflector Finish or L Trim Type.
- W distribution only.
- WH and BL Reflector Finishes only.
- Mounting hardware required ordered separately, see MOUNTING HARDWARE ordering info. See page 4 for MOUNTING TYPE DETAILS.
- Additional mounting hardware options available. See page 4 for MOUNTING HARDWARE DETAILS.
- L7 and L12 lumen packages max.
- I Mounting requires external brackets.
- N Mounting Type only.
- N Mounting Type only.
- Tamper-resistant tool must be ordered separately. Please specify quantity required per project.

# V4DR dim to WARM 4.5" Vandal-Resistant Downlight – Round

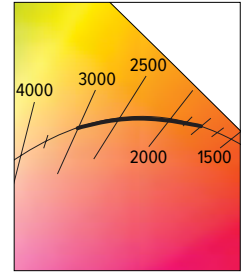
## FIXTURE PERFORMANCE DATA

### FLUSH LENS TRIM TYPE

	DIST.	DELIVERED LUMENS	CCT AT 100% (FULL OUTPUT)	CCT AT 1% (FULL DIM)	WATTAGE	EFFICACY (lm/W)
L7	W	670	3000K	1800K	14.0	47.9
	M	760			14.0	54.3
	N	765			14.0	54.7
L12	W	1175			23.4	50.3
	M	1333			23.4	57.0
	N	1242			23.4	57.4
L19	W	1925			37.7	51.1
	M	1995			37.7	52.9
	N	2197			37.7	58.3

### REGRESSED LENS TRIM TYPE

	DIST.	DELIVERED LUMENS	CCT AT 100% (FULL OUTPUT)	CCT AT 1% (FULL DIM)	WATTAGE	EFFICACY (lm/W)
L7	W	678	3000K	1800K	14.0	48.4
	M	763			14.0	54.5
	N	769			14.0	54.9
L12	W	1188			23.4	50.8
	M	1337			23.4	57.2
	N	1348			23.4	57.7
L19	W	1945			37.7	51.6
	M	1997			37.7	52.9
	N	2208			37.7	58.6



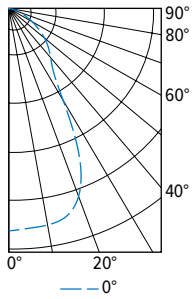
- Photometrics tested in accordance with IESNA LM-79. Results shown are based on 25°C ambient temperature.
- Wattage shown is based on 120V input.
- Results based on 3000K, 95 CRI, full output, actual lumens may vary +/-5%
- Use multiplier table to calculate additional options.

### MULTIPLIER TABLE

TRIM	
CATALOG NUMBER	CONVERSION FACTOR
AD	0.85
PD	0.85

## PHOTOMETRY

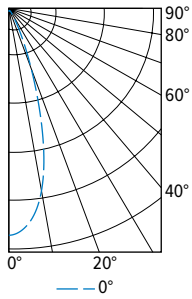
V4DR-L12/9DW-DIM-UNV-LW-OF-WH Total Luminaire Output: 1175 lumens; 23.4 Watts | Efficacy: 50.3 lm/W | 95 CRI; 3000K CCT



CANDLEPOWER DISTRIBUTION	VERTICAL ANGLE	HORIZONTAL ANGLE	ZONAL LUMENS
		0°	
	0	825	
	5	820	78
	15	804	225
	25	627	278
	35	292	190
	45	210	162
	55	140	125
	65	75	75
	75	32	34
	85	6	7
	90	0	

LUMEN SUMMARY	ZONE	LUMENS	% FIXTURE
	0 - 40	771	66
	0 - 60	1058	90
	0 - 90	1175	100
	0-180	1175	100

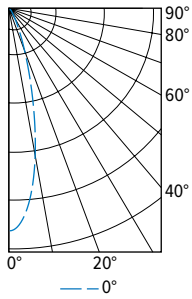
V4DR-L12/9DW-DIM-UNV-LM-OF-WH Total Luminaire Output: 1333 lumens; 23.4 Watts | Efficacy: 57.0 lm/W | 95 CRI; 3000K CCT



CANDLEPOWER DISTRIBUTION	VERTICAL ANGLE	HORIZONTAL ANGLE	ZONAL LUMENS
		0°	
	0	3449	
	5	3301	301
	15	2026	542
	25	548	264
	35	143	95
	45	65	52
	55	41	37
	65	25	25
	75	13	13
	85	3	3
	90	0	

LUMEN SUMMARY	ZONE	LUMENS	% FIXTURE
	0-40	1202	90
	0-60	1291	97
	0-90	1333	100
	0-180	1333	100

V4DR-L12/9DW-DIM-UNV-LN-OF-WH Total Luminaire Output: 1242 lumens; 23.4 Watts | Efficacy: 57.4 lm/W | 95 CRI; 3000K CCT



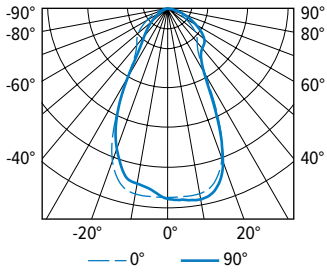
CANDLEPOWER DISTRIBUTION	VERTICAL ANGLE	HORIZONTAL ANGLE	ZONAL LUMENS
		0°	
	0	4665	
	5	4208	365
	15	1796	494
	25	423	206
	35	111	74
	45	53	41
	55	32	29
	65	20	19
	75	10	10
	85	2	2
	90	0	

LUMEN SUMMARY	ZONE	LUMENS	% FIXTURE
	0-40	1139	92
	0-60	1210	97
	0-90	1242	100
	0-180	1242	100



# V4DR dim to **WARM** 4.5" Vandal-Resistant Downlight – Round

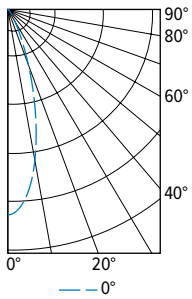
**V4DR-L12/9DW-DIM-UNV-AWW-OF-WH** Total Luminaire Output: 915 lumens; 23.4 Watts | Efficacy: 39.1 lm/W | 95 CRI; 3000K CCT



CANDLEPOWER DISTRIBUTION	VERTICAL ANGLE	HORIZONTAL ANGLE					ZONAL LUMENS
		0°	45°	90°	135°	180°	
	0	776	776	776	776	776	
	5	784	783	772	754	742	73
	15	754	737	730	712	683	200
	25	433	413	453	478	462	203
	35	230	215	211	212	182	136
	45	204	190	165	129	107	123
	55	161	142	108	73	58	97
	65	97	80	53	32	21	56
	75	45	33	17	9	9	23
	85	8	4	2	3	2	4
	90	0	0	0	0	0	

LUMEN SUMMARY	ZONE	LUMENS	% FIXTURE
	0 - 40	613	67
	0 - 60	832	91
	0 - 90	915	100
	0 - 180	915	100

**V4DR-L12/9DW-DIM-UNV-RM-OF-WH** Total Luminaire Output: 1337 lumens; 23.4 Watts | Efficacy: 57.2 lm/W | 95 CRI; 3000K CCT

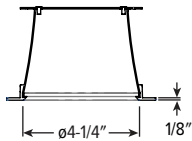


CANDLEPOWER DISTRIBUTION	VERTICAL ANGLE	HORIZONTAL ANGLE	ZONAL LUMENS
		0°	
	0	3855	
	5	3593	321
	15	1996	542
	25	586	280
	35	144	96
	45	56	44
	55	31	28
	65	17	16
	75	7	7
	85	2	2
	90	0	

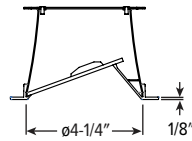
LUMEN SUMMARY	ZONE	LUMENS	% FIXTURE
	0-40	1239	93
	0-60	1311	98
	0-90	1337	100
	0-180	1337	100

## TRIM TYPE DETAILS

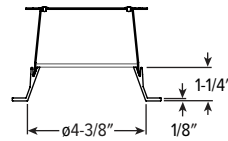
### FLUSH



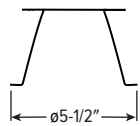
### ANGLED



### REGRESSED



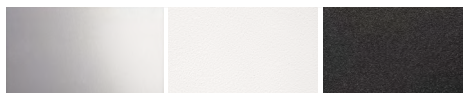
## FLANGE TYPE DETAILS



Ceiling Cutout:  $\phi 5"$

## REFLECTOR FINISH DETAILS

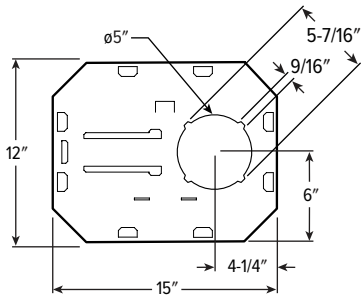
**CS** Clear semi-specular    **WH** White    **BL** Black



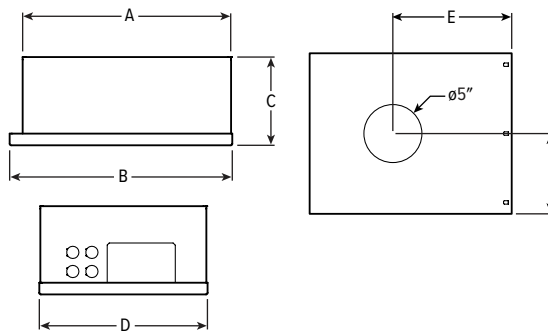
# V4DR dim to WARM 4.5" Vandal-Resistant Downlight – Round

## MOUNTING TYPE DETAILS

### NEW CONSTRUCTION



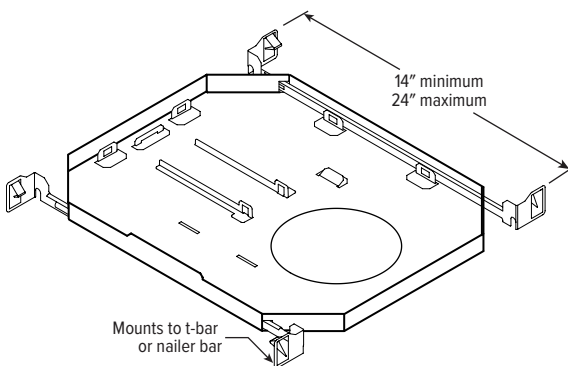
### IC-RATED



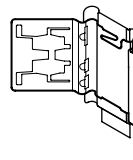
LUMENS	LENGTH					
	A	B	C	D	E	F
L7	15-3/16"	16"	6-3/8"	12-1/8"	9-1/2"	6-1/16"
L12	16-5/8"	17-1/2"	7-7/8"	14"	10-1/4"	7"

## MOUNTING HARDWARE DETAILS

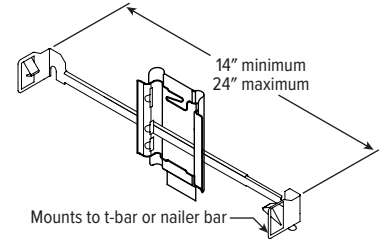
**F1** Integral 2-position fixed pan bracket, universal bar hanger included



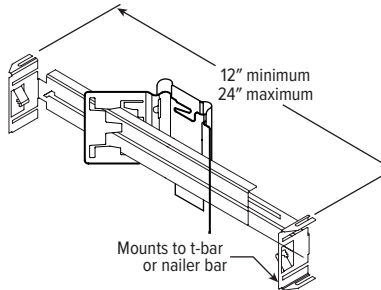
**BA1** Adjustable butterfly pan bracket, bar hanger not included (N Mounting Type only)



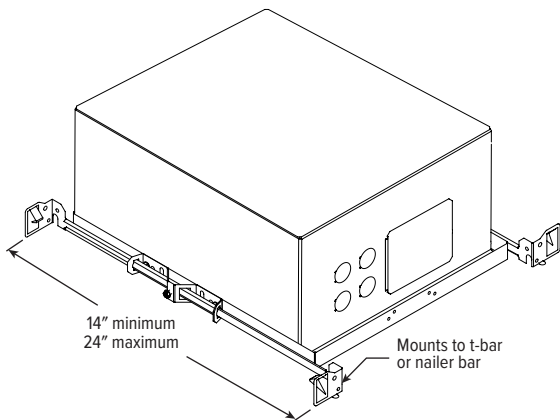
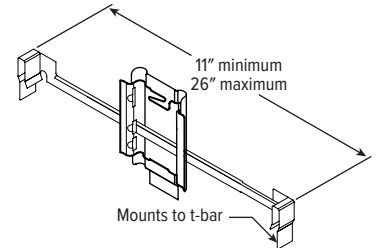
**CA1** Adjustable caterpillar pan bracket, universal bar hanger included (N Mounting Type only)



**BA2** Adjustable butterfly pan bracket, heavy-duty universal bar hanger included (N Mounting Type only)



**CA2** Adjustable caterpillar pan bracket, t-bar hanger included (N Mounting Type only)



F1 with I Mounting Type

