

V4DR tunable WHITE 4.5" Vandal-Resistant Downlight – Round

FEATURES

- Tunable white from 2700K to 5000K CCT, minimum 80 CRI
- Ideal for schools, behavioral health facilities, correctional institutions, and other vandal-prone areas
- Anti-ligature design with tamper-resistant fasteners
- Accepted by the New York State Office of Mental Health for use in inpatient facilities
- IP65-rated die-cast trim includes easy-to-clean flush lens
- Beam angles ranging from 25° narrow to 50° wide for tailored performance
- 4 inch aperture is unobtrusive in small scale spaces
- Die-cast trim choices include flush or regressed lens
- Contemporary design provides glare-free illumination for a soft ceiling appearance
- Easily adjust mounting arms below ceiling to adapt to a range of ceiling thicknesses

SPECIFICATIONS

- HOUSING** – Die-cast aluminum trim housing with forged aluminum heat sink. Galvanized steel splice compartment with driver mounting plate/enclosure. Swing-out mounting arms field adjust for ceiling thickness from 1/2" – 1-7/8" max. TC option required for ceiling thicknesses greater than 1-1/4".
- LENSED TRIM** – Die-cast aluminum frame with 1/8" micro-prismatic, polycarbonate lens with 1/8" clear polycarbonate underlay. Trim is secured with four stainless steel, tamper-resistant screws.
- ELECTRICAL** – High-performance Class 2 LED array. Modular quick-connect plug for easy field-connection of LED light assembly to driver. Reported L70>50,000 hours. Tunable White products use LEDs of multiple CCTs and may produce a perceptibly different shade of white from single-CCT products at the same CCT. All CCTs are within 3 MacAdam ellipses.
- MOUNTING** – Recessed. 20 ga. galvanized steel mounting pan for new construction or IC-rated enclosure.

- LISTINGS** –
 - cCSAus conforms to UL STD 1598; Certified to CAN/CSA STD C22.2 No. 250.0 for dry and damp locations. LED light assembly conforms to UL 2108 for remote installation.
 - Suitable for wet location under covered ceiling when specified with WET/CC option.
 - IC-rated for direct contact with insulation when specified with I Mounting Type.
 - ISO 5, Class 100 rated.
 - City of Chicago Environmental Air approved when specified with CP option.
 - Complies with ASTM-E283 when specified with ATH option.
 - RoHS compliant.
- WARRANTY** – 5-year limited warranty, see hew.com/warranty.

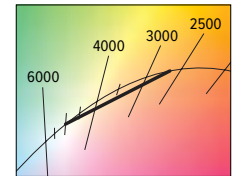
FIXTURE PERFORMANCE DATA

FLUSH LENS TRIM TYPE

	DISTRIBUTION	DELIVERED LUMENS	WATTAGE	EFFICACY (lm/W)
L9	W	936	14.6	64.1
	M	1045	14.6	71.6
	N	1069	14.6	73.2
L16	W	1620	24.0	67.5
	M	1838	24.0	76.6
	N	1850	24.0	77.1

REGRESSED LENS TRIM TYPE

	DISTRIBUTION	DELIVERED LUMENS	WATTAGE	EFFICACY (lm/W)
L9	W	946	14.6	64.8
	M	1046	14.6	71.6
	N	1075	14.6	73.6
L16	W	1637	24.0	68.2
	M	1844	24.0	76.8
	N	1859	24.0	77.5



- Photometrics tested in accordance with IESNA LM-79. Results shown are based on 25°C ambient temperature.
- Wattage shown is based on 120V input.
- Results based on 4000K, 80 CRI, actual lumens may vary +/-5%
- Use multiplier tables to calculate additional options.

MULTIPLIER TABLES

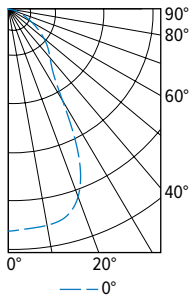
COLOR TEMPERATURE		
CCT	LUMENS	WATTS
2700K	0.83	1.03
3000K	1.00	1.00
3500K	0.99	0.99
4000K	1.00	1.00
5000K	0.98	1.03

TRIM	
CATALOG NUMBER	CONVERSION FACTOR
PD	0.85

R TRIM	REFLECTOR FINISH	
	CATALOG NUMBER	CONVERSION FACTOR
	WH	1.00
	BL	0.79
CS	0.98	

PHOTOMETRY

V4DR-L16/8TW-DIM-UNV-LW-OF-WH Total Luminaire Output: 1620 lumens; 24 Watts | Efficacy: 67.5 lm/W | 80CRI; 4000K CCT

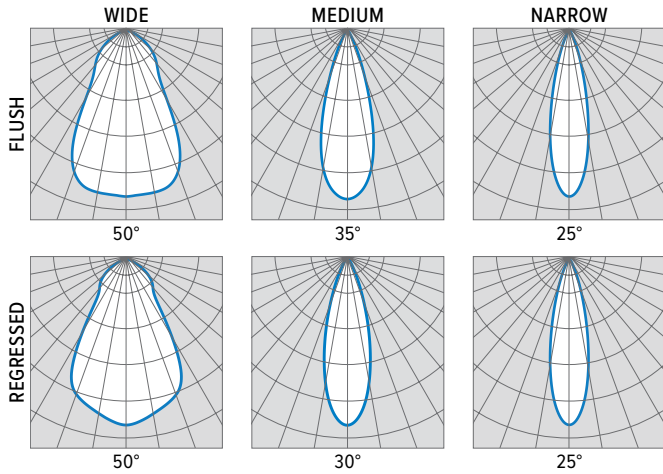


CANDLEPOWER DISTRIBUTION	VERTICAL ANGLE	HORIZONTAL ANGLE	ZONAL LUMENS
		0°	
	0	1138	
	5	1130	108
	15	1109	310
	25	865	384
	35	403	261
	45	289	223
	55	193	172
	65	104	104
	75	44	48
	85	8	10
	90	0	

LUMEN SUMMARY	ZONE	LUMENS	% FIXTURE
	0 - 40	1063	66
	0 - 60	1458	90
	0 - 90	1620	100
	0-180	1620	100



V4DR tunable WHITE 4.5" Vandal-Resistant Downlight – Round



CONTROL DETAILS

DIM

DIM (Int) + Fixture 1
 DIM (CCT) + Fixture 1
 DIM -

DALI

DALI + Fixture 1
 DALI -

DMX

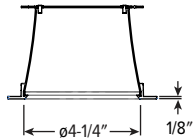
RJ45 Ports (IN/OUT) Fixture (Master)

LUTRON T-SERIES

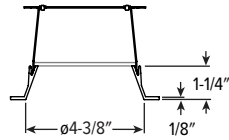
T1 Fixture 1
 T2

TRIM TYPE DETAILS

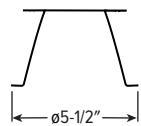
FLUSH



REGRESSED



FLANGE TYPE DETAILS



Ceiling Cutout: $\phi 5"$

REFLECTOR FINISH DETAILS

CS

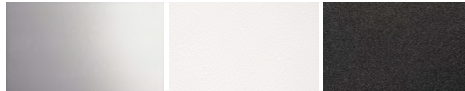
Clear semi-specular

WH

White

BL

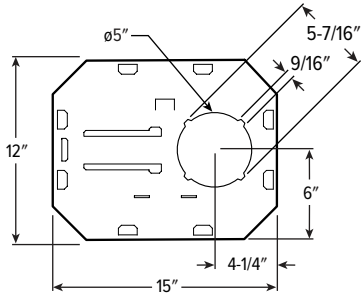
Black



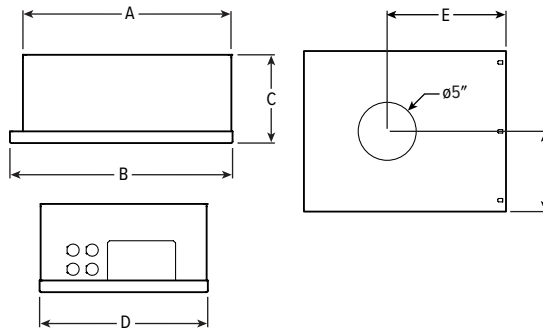
V4DR tunable WHITE 4.5" Vandal-Resistant Downlight – Round

MOUNTING TYPE DETAILS

NEW CONSTRUCTION



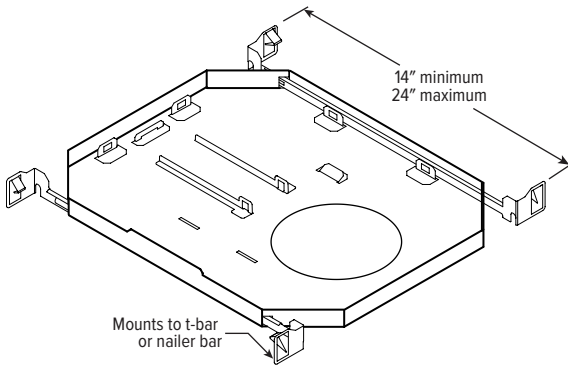
IC-RATED



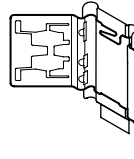
LUMENS	LENGTH					
	A	B	C	D	E	F
L9	15-3/16"	16"	6-3/8"	12-1/8"	9-1/2"	6-1/16"
L16	16-5/8"	17-1/2"	7-7/8"	14"	10-1/4"	7"

MOUNTING HARDWARE DETAILS

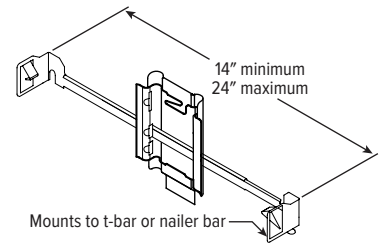
F1 Integral 2-position fixed pan bracket, universal bar hanger included



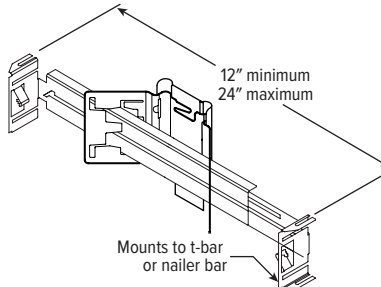
BA1 Adjustable butterfly pan bracket, bar hanger not included (N Mounting Type only)



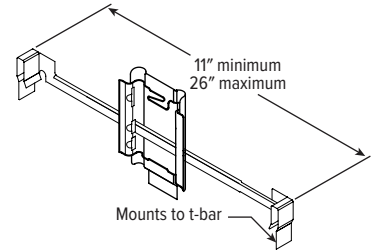
CA1 Adjustable caterpillar pan bracket, universal bar hanger included (N Mounting Type only)



BA2 Adjustable butterfly pan bracket, heavy-duty universal bar hanger included (N Mounting Type only)



CA2 Adjustable caterpillar pan bracket, t-bar hanger included (N Mounting Type only)



F1 with I Mounting Type

