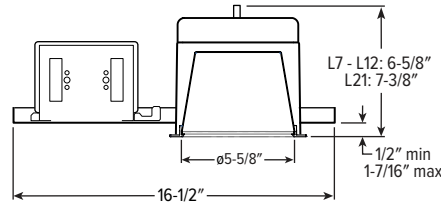


# V6DR dim to WARM 6" Vandal-Resistant Downlight – Round



CATALOG #: \_\_\_\_\_

TYPE: \_\_\_\_\_

PROJECT: \_\_\_\_\_

## FEATURES

- Dim to warm from 1800K to 3000K CCT, minimum 95 CRI
- Beam angles ranging from 25° narrow to 55° wide for tailored performance
- Die cast trim choices include flush or regressed lens
- Contemporary design provides glare-free illumination for a soft ceiling appearance
- Easily adjust mounting arms below ceiling to adapt to a range of ceiling thicknesses

## SPECIFICATIONS

- **HOUSING** – Die-cast aluminum trim housing with forged aluminum heat sink. Galvanized steel splice compartment with driver mounting plate/enclosure. Swing-out mounting arms field adjust for ceiling thickness from 1/2" – 2-1/4".
- **LENSED TRIM** – Die-cast aluminum frame with micro-prismatic polycarbonate lens with clear polycarbonate underlay. Trim is secured with four stainless steel, tamper-resistant screws.
- **ELECTRICAL** – High-performance Class 2 C.O.B. LED array. Modular quick-connect plug for easy field-connection of LED light assembly to driver. Reported L70>55,000 hours. Reported L90>55,000 hours. Estimated L70 = 200,000 hours.
- **MOUNTING** – Recessed. 20 ga. galvanized steel mounting pan for new construction or IC-rated enclosure.
- **LISTINGS** –
  - cCSAus conforms to UL STD 1598; Certified to CAN/CSA STD C22.2 No. 250.0 for damp locations. LED light assembly conforms to UL 2108 for remote installation.
  - Suitable for wet location under covered ceiling when specified with WET/CC option.
  - IC-rated for direct contact with insulation when specified with I Mounting Type.
  - City of Chicago Environmental Air approved when specified with CP option.
  - Complies with ASTM-E283 when specified with ATH option.
  - RoHS compliant.
- **WARRANTY** – 5-year limited warranty, see [hew.com/warranty](http://hew.com/warranty).

ORDERING EXAMPLE: V6DR - TL - L12/9DW - OPTIONS - DIM1 - UNV - LW - OF - CS - TRIM OPTIONS - N - F1

## HOUSING

SERIES	LUMENS <sup>[1]</sup>	COLOR	OPTIONS	CONTROL	VOLTAGE
V6DR	L7 700lm	9DW Dim to warm (95 CRI, 1800K – 3000K)	ATH Airtight construction	DIM1 1% dimming driver (0-10V signal to control dimming and CCT)	UNV 120-277V 347 347V <sup>[7]</sup>
	L12 1,200lm		F Fuse		
	L21 2,100lm		CP Chicago plenum (CCEA) <sup>[2]</sup>	LUT Lutron Ecosystem enabled <sup>[6]</sup>	
			EM/7W 7-watt emergency battery <sup>[3]</sup>		
			EM/10W 10-watt emergency battery <sup>[4]</sup>		
			SDT Stepdown transformer <sup>[5]</sup>		

## TRIM

TRIM TYPE	DISTRIBUTION <sup>[8]</sup>	FLANGE TYPE	REFLECTOR FINISH	TRIM OPTIONS
L Flush lens	W Wide	OF 1/2" standard flange	CS Clear semi-specular powder coat	MWT Textured white trim flange <sup>[10]</sup>
R Regressed lens	55° Flush		WH White texture powder coat	IP IP65 rated trim
	55° Regressed		BL Black texture powder coat	PD Diffuse 1/8" polycarbonate lens <sup>[11]</sup>
	M Medium		MB Black texture splay with white flange <sup>[9]</sup>	WET/CC Wet location, covered ceiling listed
	35° Flush			AM Anti-microbial <sup>[12]</sup>
	35° Regressed			
	N Narrow			
	25° Flush			
	25° Regressed			

## MOUNTING

### MOUNTING TYPE<sup>[13]</sup>

- N Open pan for new construction
- I IC-rated enclosure for new construction<sup>[15]</sup>

### MOUNTING HARDWARE<sup>[14]</sup>

- F1 Integral 2-position fixed pan bracket, universal bar hanger included<sup>[16]</sup>
- BA1 Adjustable butterfly pan bracket, bar hanger not included<sup>[17]</sup>
- CA1 Adjustable caterpillar pan bracket, universal bar hanger included<sup>[18]</sup>

## ACCESSORIES

TPTX-10 TOOL T10 torx bit 1/4" drive tamper-resistant tool.<sup>[19]</sup>

## NOTES

- Lumen output based on L trim type, W distribution and WH finish, 3000K/95CRI. Actual lumens may vary +/-5%. See page 2 for FIXTURE PERFORMANCE DATA.
- I Mounting Type required.
- N and R Mounting Types only.
- N and R Mounting Types only.
- May be required for 347V, see product builder at [hew.com/product-builder](http://hew.com/product-builder)
- Not available with I Mounting Type.
- Not available with EM batteries.
- Beam angle based on CS or WH reflector finish.
- R Trim Type only. Not available with MWT.
- Not available with WH Reflector Finish or L Trim Type.
- W distribution only.
- WH and BL Reflector Finishes only.
- Mounting hardware required, ordered separately, see MOUNTING HARDWARE ordering info. See page 3 for MOUNTING TYPE DETAILS.
- Additional mounting hardware options available. See page 4 for MOUNTING HARDWARE DETAILS.
- L12 lumen package max.
- I Mounting requires external brackets.
- N Mounting Type only.
- N Mounting Type only.
- Tamper-resistant tool must be ordered separately. Please specify quantity required per project.



# V6DR dim to WARM 6" Vandal-Resistant Downlight – Round

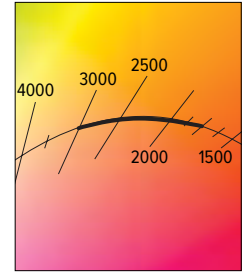
## FIXTURE PERFORMANCE DATA

### FLUSH LENS TRIM TYPE

	DIST.	DELIVERED LUMENS	CCT AT 100% (FULL OUTPUT)	CCT AT 1% (FULL DIM)	WATTAGE	EFFICACY (lm/W)
L7	W	680	3000K	1800K	14.0	48.6
	M	733			14.0	52.4
	N	738			14.0	52.7
L12	W	1192			23.4	50.9
	M	1285			23.4	54.9
	N	1293			23.4	55.3
L21	W	1953			37.7	51.8
	M	2101			37.7	55.7
	N	2118			37.7	56.2

### REGRESSED LENS TRIM TYPE

	DIST.	DELIVERED LUMENS	CCT AT 100% (FULL OUTPUT)	CCT AT 1% (FULL DIM)	WATTAGE	EFFICACY (lm/W)
L7	W	659	3000K	1800K	14.0	47.1
	M	713			14.0	50.9
	N	719			14.0	51.4
L12	W	1154			23.4	49.3
	M	1250			23.4	53.4
	N	1260			23.4	53.8
L21	W	1890			37.7	50.1
	M	2048			37.7	54.3
	N	2064			37.7	54.7



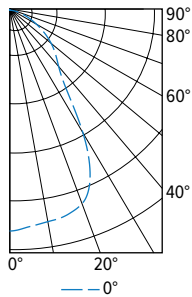
- Photometrics tested in accordance with IESNA LM-79. Results shown are based on 25°C ambient temperature.
- Wattage shown is based on 120V input.
- Results based on 3000K, 95 CRI, full output, actual lumens may vary +/-5%
- Use multiplier table to calculate additional options.

### MULTIPLIER TABLE

TRIM	
CATALOG NUMBER	CONVERSION FACTOR
PD	0.85

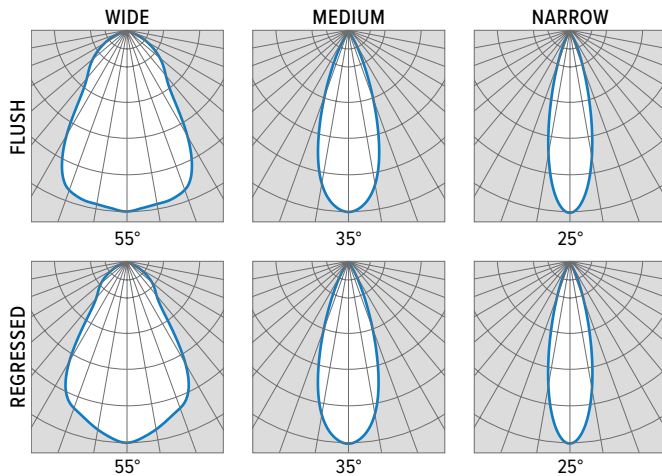
## PHOTOMETRY

V6DR-L12/9DW-DIM1-UNV-LW-OF-WH Total Luminaire Output: 1192 lumens; 23.4 Watts | Efficacy: 50.9 lm/W | 95 CRI; 3000K CCT



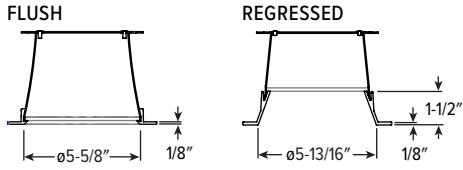
CANDLEPOWER DISTRIBUTION	VERTICAL ANGLE	HORIZONTAL ANGLE	ZONAL LUMENS
		0°	
	0	758	
	5	746	
	15	728	
	25	628	
	35	321	
	45	215	
	55	145	
	65	81	
	75	36	
	85	8	
	90	0	

LUMEN SUMMARY	ZONE	LUMENS	% FIXTURE
	0 - 40	767	64
	0 - 60	1063	89
	0 - 90	1192	100
	0 - 180	1192	100

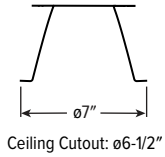


# V6DR dim to WARM 6" Vandal-Resistant Downlight – Round

## TRIM TYPE DETAILS



## FLANGE TYPE DETAILS

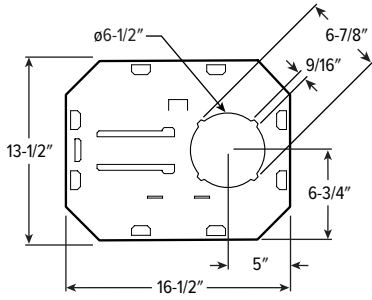


## REFLECTOR FINISH DETAILS

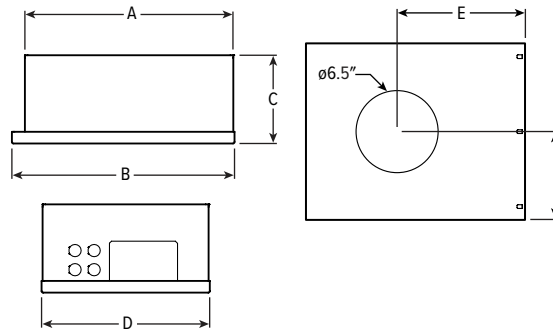


## MOUNTING TYPE DETAILS

### NEW CONSTRUCTION



### IC-RATED



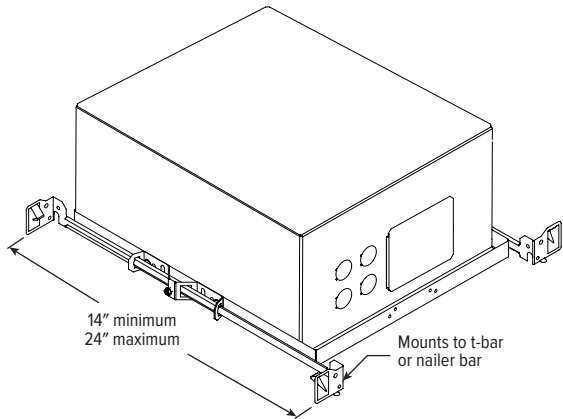
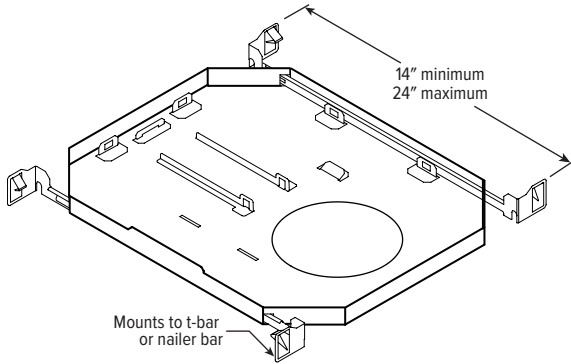
LUMENS	LENGTH					
	A	B	C	D	E	F
L7 - L12	15-3/16"	16"	6-3/8"	12-1/8"	9-1/2"	6-1/16"



# V6DR dim to WARM 6" Vandal-Resistant Downlight – Round

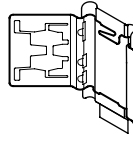
## MOUNTING HARDWARE DETAILS

**F1** Integral 2-position fixed pan bracket, universal bar hanger included

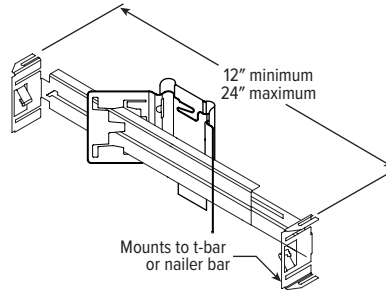


F1 with I Mounting Type

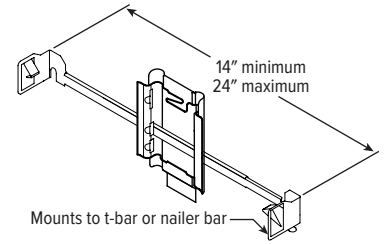
**BA1** Adjustable butterfly pan bracket, bar hanger not included (N Mounting Type only)



**BA2** Adjustable butterfly pan bracket, heavy-duty universal bar hanger included (N Mounting Type only)



**CA1** Adjustable caterpillar pan bracket, universal bar hanger included (N Mounting Type only)



**CA2** Adjustable caterpillar pan bracket, t-bar hanger included (N Mounting Type only)

