

V6DR^{LED} 6" Vandal-Resistant Downlight – Round

FEATURES

- Ideal for schools, behavioral health facilities, correctional institutions, and other vandal-prone areas
- Anti-ligature design with tamper-resistant fasteners
- Accepted by the New York State Office of Mental Health for use in inpatient facilities
- IP65-rated die-cast trim includes easy-to-clean flush lens
- Beam angles ranging from 25° narrow to 55° wide for tailored performance
- Die-cast trim choices include flush or regressed lens
- Contemporary design provides glare-free illumination for a soft ceiling appearance
- Easily adjust mounting arms below ceiling to adapt to a range of ceiling thicknesses
- Wireless in-fixture control solutions available
- Made Right Here® in the USA

SPECIFICATIONS

- **HOUSING** – Die-cast aluminum trim housing with forged aluminum heat sink. Galvanized steel splice compartment with driver mounting plate/enclosure. Swing-out mounting arms field adjust for ceiling thickness from 1/2" – 1-7/8" max. TC option required for ceiling thicknesses greater than 1-1/4".
- **LENSED TRIM** – Die-cast aluminum frame with 1/8" micro-prismatic, polycarbonate lens with 1/8" clear polycarbonate underlay. Trim is secured with four stainless steel, tamper-resistant screws.
- **ELECTRICAL** – High-performance Class 2 C.O.B. LED array. Modular quick-connect plug for easy field-connection of LED light assembly to driver. Reported L70>55,000 hours. Reported L90>55,000 hours. Estimated L70 = 200,000 hours.
- **MOUNTING** – Recessed. 20 ga. galvanized steel mounting pan for new construction or IC-rated enclosure. Minimum 24" O.C. marked spacing required for L38 and higher lumen packages.
- **LISTINGS** –
 - cCSAus conforms to UL STD 1598; Certified to CAN/CSA STD C22.2 No. 250.0 for dry and damp locations. LED light assembly conforms to UL 2108 for remote installation.
 - Suitable for wet location under covered ceiling when specified with WET/CC option.
 - IC-rated for direct contact with insulation when specified with I Mounting Type.
 - ISO 5, Class 100 rated.
 - City of Chicago Environmental Air approved when specified with CP option.
 - IP65 rated trim when specified with IP option.
 - Complies with ASTM-E283 when specified with ATH option.
 - RoHS compliant.
 - Complies with the Buy American Act and other federal regulations. Request certification at hew.com/baa.
- **WARRANTY** – 5-year limited warranty, see hew.com/warranty.

FIXTURE PERFORMANCE DATA

FLUSH LENS TRIM TYPE

	DISTRIBUTION	DELIVERED LUMENS	WATTAGE	EFFICACY (lm/W)
L8	W	774	9.8	79
	M	910	9.8	93
	N	909	9.8	93
L12	W	1178	14.9	79
	M	1385	14.9	93
	N	1384	14.9	93
L16	W	1561	20.4	77
	M	1837	20.4	90
	N	1836	20.4	90
L23	W	2335	29.5	79
	M	2782	29.5	94
	N	2718	29.5	92
L31	W	3122	41.0	76
	M	3720	41.0	91
	N	3635	41.0	89
L38	W	3824	49.3	78
	M	-	-	-
	N	-	-	-
L46	W	4609	62.2	74
	M	-	-	-
	N	-	-	-
L53	W	5345	74.4	72
	M	-	-	-
	N	-	-	-
L56	W	5626	79.8	71
	M	-	-	-
	N	-	-	-

REGRESSED LENS TRIM TYPE

	DISTRIBUTION	DELIVERED LUMENS	WATTAGE	EFFICACY (lm/W)
L8	W	716	9.8	73
	M	883	9.8	90
	N	897	9.8	92
L12	W	1090	14.9	73
	M	1344	14.9	90
	N	1366	14.9	92
L16	W	1445	20.4	71
	M	1782	20.4	87
	N	1812	20.4	89
L23	W	2160	29.5	73
	M	2699	29.5	92
	N	2683	29.5	91
L31	W	2889	41.0	71
	M	3609	41.0	88
	N	3587	41.0	88
L38	W	3537	49.3	72
	M	-	-	-
	N	-	-	-
L46	W	4264	62.2	69
	M	-	-	-
	N	-	-	-
L53	W	4945	74.4	67
	M	-	-	-
	N	-	-	-
L56	W	5205	79.8	65
	M	-	-	-
	N	-	-	-

MULTIPLIER TABLES

	COLOR TEMPERATURE	
	CCT	CONVERSION FACTOR
80 CRI	2700K	0.92
	3000K	0.98
	3500K	1.00
	4000K	1.01
	5000K	1.02

90 CRI	COLOR TEMPERATURE	
	CCT	CONVERSION FACTOR
	2700K	0.76
	3000K	0.79
	3500K	0.82
4000K	0.84	
5000K	0.88	

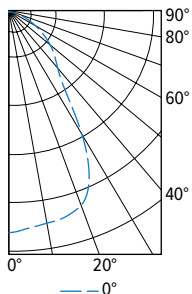
TRIM	
CATALOG NUMBER	CONVERSION FACTOR
PD	0.85

R TRIM	REFLECTOR FINISH	
	CATALOG NUMBER	CONVERSION FACTOR
	WH	1.00
	BL	0.79
CS	0.98	

- Photometrics tested in accordance with IESNA LM-79. Results based on L Trim Type, W Distribution, WH Reflector Finish, 80 CRI/3500K CCT, wattage for 120V input, and 25°C ambient temperature. Actual performance may vary +/-5%.
- To calculate lumen output in emergency mode, multiply the battery wattage by the efficacy.
- Use multiplier tables to calculate additional options.

PHOTOMETRY

V6DR-L16/835-DIM-UNV-LW-OF-WH Total Luminaire Output: 1561 lumens; 20.4 Watts | Efficacy: 76.5 lm/W | 80 CRI; 3500K CCT



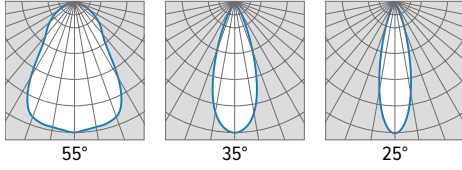
CANDLEPOWER DISTRIBUTION	VERTICAL ANGLE	HORIZONTAL ANGLE	ZONAL LUMENS
		0°	
	0	993	
	5	978	69
	15	954	155
	25	823	185
	35	420	123
	45	281	105
	55	190	77
	65	106	45
	75	47	20
	85	10	2
	90	1	

LUMEN SUMMARY	ZONE	LUMENS	% FIXTURE
	0 - 40	1005	64
	0 - 60	1392	89
	0 - 90	1561	100
	0 - 180	1561	100

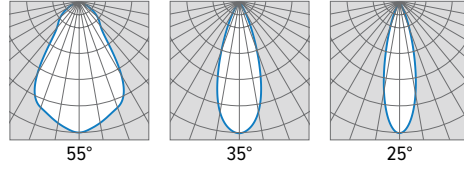


V6DR^{LED} 6" Vandal-Resistant Downlight – Round

FLUSH

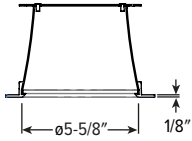


REGRESSED

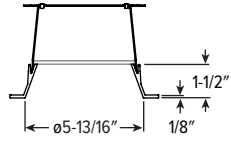


TRIM TYPE DETAILS

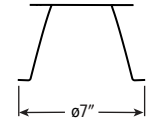
FLUSH



REGRESSED



FLANGE TYPE DETAILS



Ceiling Cutout: $\phi 6-1/2"$

REFLECTOR FINISH DETAILS

CS Clear semi-specular **WH** White **BL** Black



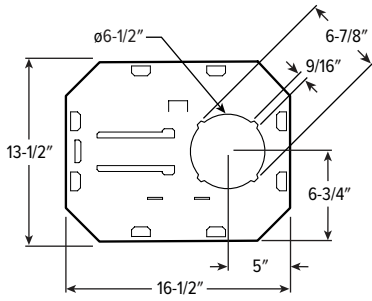
SEE NEXT PAGE FOR MOUNTING DETAILS.



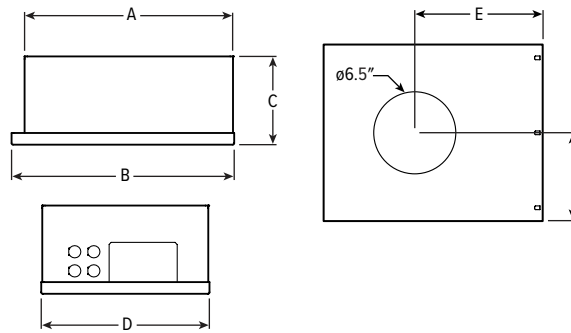
V6DR LED 6" Vandal-Resistant Downlight – Round

MOUNTING TYPE DETAILS

NEW CONSTRUCTION



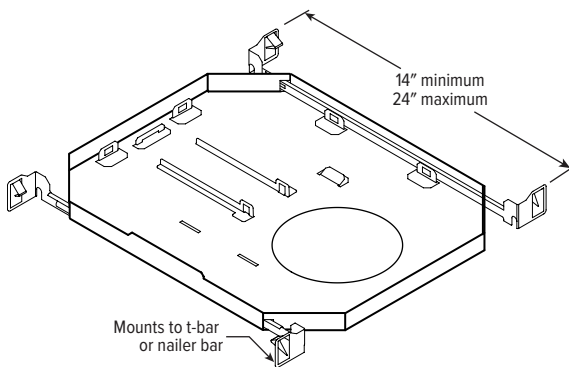
IC-RATED



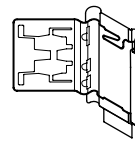
LUMENS	LENGTH					
	A	B	C	D	E	F
L8 - L16	15-3/16"	16"	6-3/8"	12-1/8"	9-1/2"	6-1/16"
L23	16-5/8"	17-1/2"	7-7/8"	14"	10-1/4"	7"

MOUNTING HARDWARE DETAILS

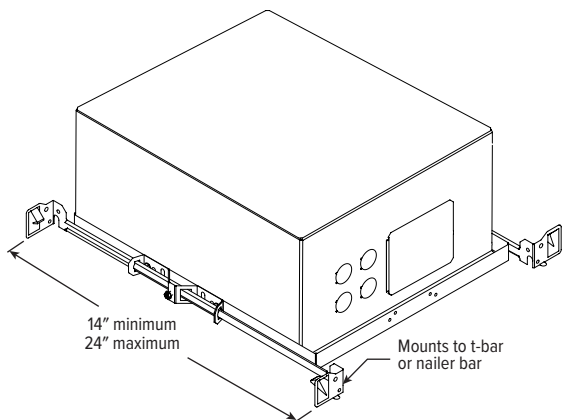
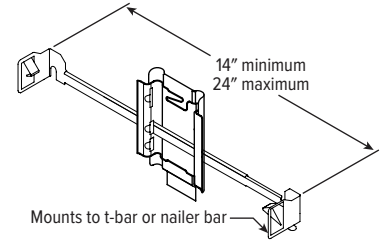
F1 Integral 2-position fixed pan bracket, universal bar hanger included



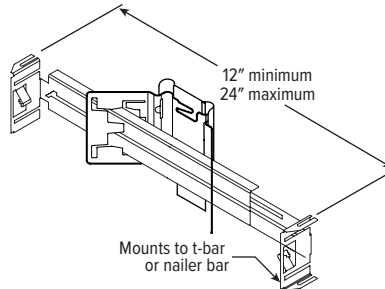
BA1 Adjustable butterfly pan bracket, bar hanger not included (N Mounting Type only)



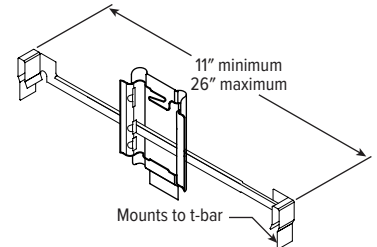
CA1 Adjustable caterpillar pan bracket, universal bar hanger included (N Mounting Type only)



BA2 Adjustable butterfly pan bracket, heavy-duty universal bar hanger included (N Mounting Type only)



CA2 Adjustable caterpillar pan bracket, t-bar hanger included (N Mounting Type only)



F1 with I Mounting Type



V6DR LED 6" Vandal-Resistant Downlight – Round

AVI-ON BLUETOOTH WIRELESS CONTROL DETAILS

FEATURES

Simple

- Gateway-free distributed control
- Factory pre-commissioning
- Contractor friendly installation
- Occupancy/vacancy/daylight sensing

Scalable

- Virtually unlimited network size
- Spans small offices to large warehouses
- Flexible control strategies

Secure

- Optional cloud connectivity
- UL IoT platinum security rating
- DLC 5.0 compliant

COMMISSIONING & INSTALLATION TOOLS

Avi-on mobile apps provide intuitive, quick installation and commissioning. Pro tools are available to qualified installers. Live commissioning training and on-site or remote support by Avi-on must be ordered separately through Avi-on.



Commissioning Mobile App

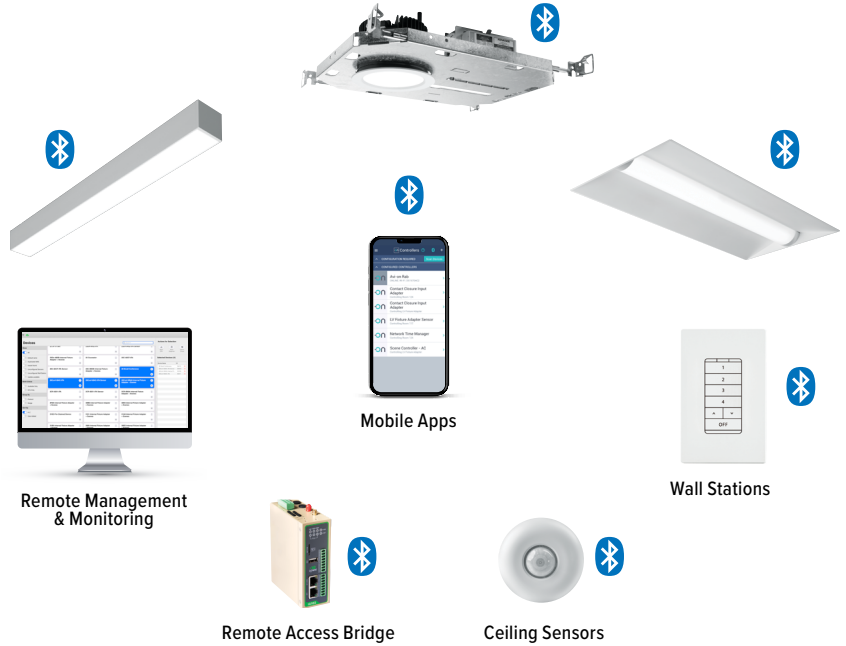


Zone Scanner Web App



Commissioning Pro App

SYSTEM COMPONENTS



The Bluetooth® word mark and logos are registered trademarks owned by Bluetooth SIG, Inc. and any use of such marks by Avi-on is under license. Other trademarks and trade names are those of their respective owners.

ACCESSORIES

WALL STATIONS	
AVI-2401AC	Scene controller - numbered 1-4, 120-277VAC
AVI-2402BAT	Scene controller - numbered 1-4, battery powered
AVI-2401AC-2	Dimmer with presets - percentages, 120-277VAC
AVI-2402BAT-2	Dimmer with presets - percentages, battery powered
AVI-2401AC-3	On/off/dimming, 120-277VAC
AVI-2402BAT-3	On/off/dimming, battery powered

NETWORK	
AVI-RAB-LTE	Remote access bridge
AVI-KIT-NTM	Network time manager with battery backup
CEILING MOUNT SENSORS	
AVI-KIT-SEN-DUCM	PIR motion and ultrasonic sensor kit
AVI-KIT-SEN-ICM	PIR motion and photocell sensor kit

For load controllers and additional accessory info, see hew.com/avi-on

ADDITIONAL CONTROL/DRIVER OPTIONS

Lumen restrictions apply: L31 max for DMX and Lutron drivers. L38 max for DALI driver. 347V may require stepdown transformer, see product builder at hew.com/product-builder. I Mounting Type not available with Lutron controls.

CATALOG NUMBER	DESCRIPTION
AVI-LVFA/DA	Avi-on wireless fixture control for use with driver with 12V auxiliary power
AWNDR/DA	Lutron Athena wireless node integral fixture control, RF only, for use with driver with 12V auxiliary power
VRF/DBI/LDE1	Lutron Vive integral fixture control, RF only (DFCSJ-OEM-RF) and digital link interface, with Lutron Hi-lume 1% EcoSystem dimming LED driver
FCJS/DIM	Lutron Vive PowPak wireless fixture control with dimming driver
FCJS/DIM1	Lutron Vive PowPak wireless fixture control with 1% dimming driver
DIM	Dimming driver prewired for 0-10V low voltage applications
DIM1	1% dimming driver prewired for 0-10V low voltage applications
DIM LINE	Line voltage dimming driver (TRIAC and ELV compatible at 120V only)
DALI	DALI dimming driver
DMX	0.1% dimming driver for DMX controls
LDE1	Lutron Hi-lume 1% EcoSystem dimming LED driver

