

V6DR tunable WHITE 6" Vandal-Resistant Downlight – Round

FEATURES

- Tunable white from 2700K to 5000K CCT, minimum 80 CRI
- Ideal for schools, behavioral health facilities, correctional institutions, and other vandal-prone areas
- Anti-ligature design with tamper-resistant fasteners
- Accepted by the New York State Office of Mental Health for use in inpatient facilities
- IP65-rated die-cast trim includes easy-to-clean flush lens
- Beam angles ranging from 25° narrow to 55° wide for tailored performance
- Die cast trim choices include flush or regressed lens
- Contemporary design provides glare-free illumination for a soft ceiling appearance
- Easily adjust mounting arms below ceiling to adapt to a range of ceiling thicknesses

SPECIFICATIONS

- HOUSING** – Die-cast aluminum trim housing with forged aluminum heat sink. Galvanized steel splice compartment with driver mounting plate/enclosure. Swing-out mounting arms field adjust for ceiling thickness from 1/2" – 1-7/8" max. TC option required for ceiling thicknesses greater than 1-1/4".
- LENSED TRIM** – Die-cast aluminum frame with 1/8" micro-prismatic, polycarbonate lens with 1/8" clear polycarbonate underlay. Trim is secured with four stainless steel, tamper-resistant screws.
- ELECTRICAL** – High-performance Class 2 LED array. Modular quick-connect plug for easy field-connection of LED light assembly to driver. Reported L70>50,000 hours. Tunable White products use LEDs of multiple CCTs and may produce a perceptibly different shade of white from single-CCT products at the same CCT. All CCTs are within 3 MacAdam ellipses.
- MOUNTING** – Recessed. 20 ga. galvanized steel mounting pan for new construction or IC-rated enclosure. Remodel kit option includes receiver bracket hardware. Minimum 24" O.C. marked spacing required for L33 lumen package.

- LISTINGS** –
 - cCSAus conforms to UL STD 1598; Certified to CAN/CSA STD C22.2 No. 250.0 for dry and damp locations. LED light assembly conforms to UL 2108 for remote installation.
 - Suitable for wet location under covered ceiling when specified with WET/CC option.
 - IC-rated for direct contact with insulation when specified with I Mounting Type.
 - ISO 5, Class 100 rated.
 - City of Chicago Environmental Air approved when specified with CP option.
 - Complies with ASTM-E283 when specified with ATH option.
 - RoHS compliant.
- WARRANTY** – 5-year limited warranty, see hew.com/warranty.

FIXTURE PERFORMANCE DATA

FLUSH LENS TRIM TYPE

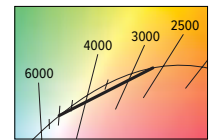
	DIST.	DELIVERED LUMENS	WATTAGE	EFFICACY (lm/W)
L10	W	1044	14.6	71.5
	M	1122	14.6	76.8
	N	1133	14.6	77.6
L18	W	1806	24.0	75.3
	M	1948	24.0	81.2
	N	1958	24.0	81.6
L33	W	3308	44.9	73.7
	M	-	-	-
	N	-	-	-

REGRESSED LENS TRIM TYPE

	DIST.	DELIVERED LUMENS	WATTAGE	EFFICACY (lm/W)
L10	W	1010	14.6	69.2
	M	1088	14.6	74.5
	N	1103	14.6	75.5
L18	W	1748	24.0	72.8
	M	1894	24.0	78.9
	N	1909	24.0	79.5
L33	W	3202	44.9	71.3
	M	-	-	-
	N	-	-	-

MULTIPLIER TABLES

COLOR TEMPERATURE		
CCT	LUMENS	WATTS
2700K	0.83	1.03
3000K	1.00	1.00
3500K	0.99	0.99
4000K	1.00	1.00
5000K	0.98	1.03



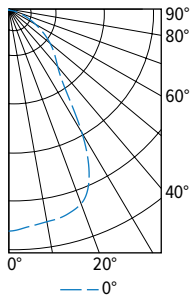
TRIM	
CATALOG NUMBER	CONVERSION FACTOR
PD	0.85

R TRIM	REFLECTOR FINISH	
	CATALOG NUMBER	CONVERSION FACTOR
	WH	1.00
BL	0.79	
CS	0.98	

- Photometrics tested in accordance with IESNA LM-79. Results shown are based on 25°C ambient temperature.
- Wattage shown is based on 120V input.
- Results based on 4000K, 80 CRI, actual lumens may vary +/-5%
- Use multiplier tables to calculate additional options.

PHOTOMETRY

V6DR-L18/8TW-DIM-UNV-LW-OF-WH Total Luminaire Output: 1806 lumens; 24.0 Watts | Efficacy: 75.3 lm/W | 80 CRI; 4000K CCT

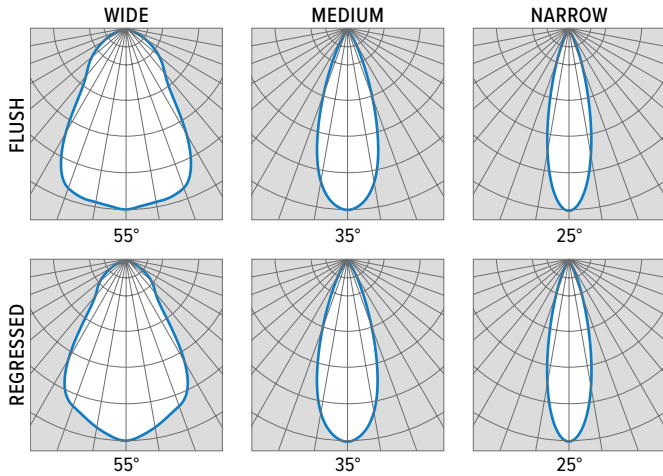


	VERTICAL ANGLE	HORIZONTAL ANGLE	ZONAL LUMENS
		0°	
CANDLEPOWER DISTRIBUTION	0	1149	
	5	1131	108
	15	1104	311
	25	952	427
	35	486	317
	45	325	251
	55	220	196
	65	123	123
	75	55	59
	85	12	14
90	1		

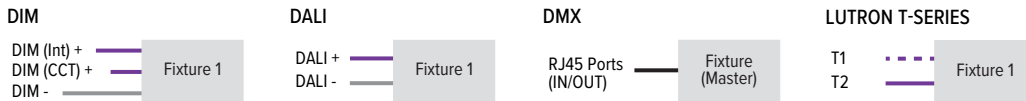
LUMEN SUMMARY	ZONE	LUMENS	% FIXTURE
	0 - 40	1163	64
0 - 60	1611	89	
0 - 90	1806	100	
0 - 180	1806	100	



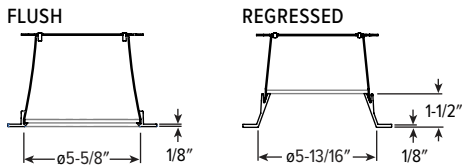
V6DR tunable WHITE 6" Vandal-Resistant Downlight – Round



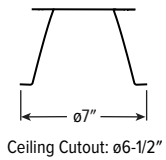
CONTROL DETAILS



TRIM TYPE DETAILS



FLANGE TYPE DETAILS



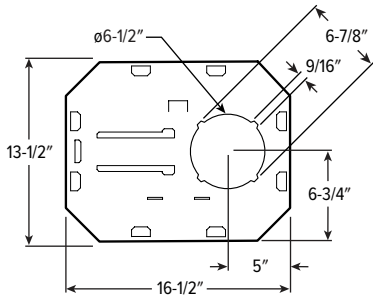
REFLECTOR FINISH DETAILS



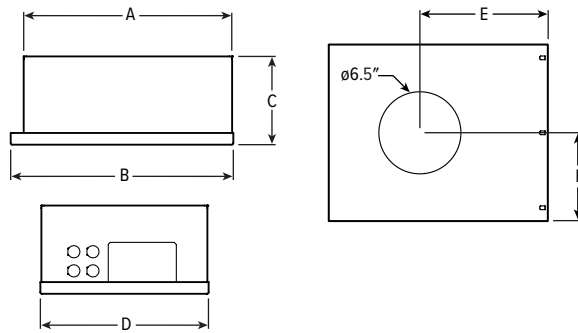
V6DR tunable WHITE 6" Vandal-Resistant Downlight – Round

MOUNTING TYPE DETAILS

NEW CONSTRUCTION



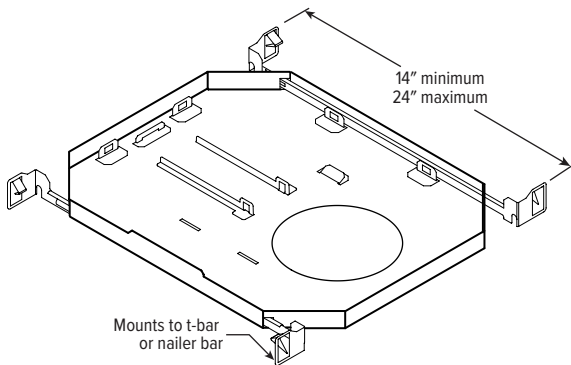
IC-RATED



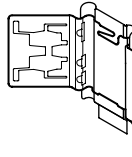
LUMENS	LENGTH					
	A	B	C	D	E	F
L10	15-3/16"	16"	6-3/8"	12-1/8"	9-1/2"	6-1/16"
L18	16-5/8"	17-1/2"	7-7/8"	14"	10-1/4"	7"

MOUNTING HARDWARE DETAILS

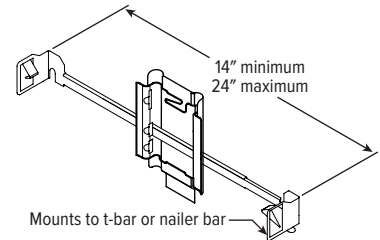
F1 Integral 2-position fixed pan bracket, universal bar hanger included



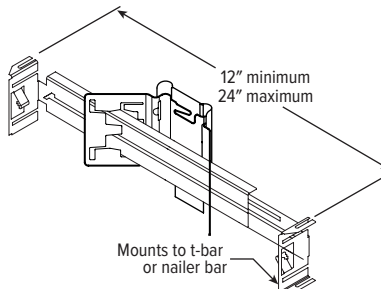
BA1 Adjustable butterfly pan bracket, bar hanger not included (N Mounting Type only)



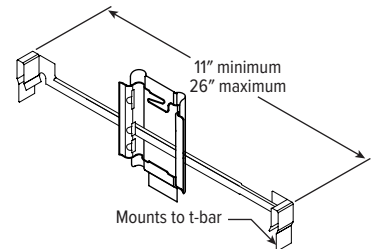
CA1 Adjustable caterpillar pan bracket, universal bar hanger included (N Mounting Type only)



BA2 Adjustable butterfly pan bracket, heavy-duty universal bar hanger included (N Mounting Type only)



CA2 Adjustable caterpillar pan bracket, t-bar hanger included (N Mounting Type only)



F1 with I Mounting Type

