

VOLTAIRE CONCRETE BOLLARD – TRIARC

VCBT

LED

CATALOG #: _____ TYPE: _____

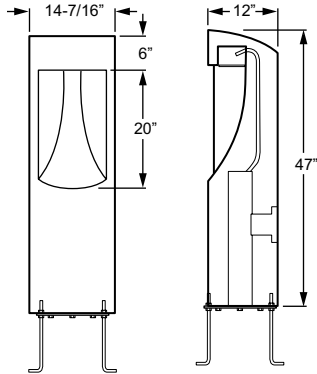
PROJECT: _____ NOTES: _____

EXAMPLE → **VCBT - L6/840 - NC - AB - OPTIONS - 120**

SERIES LUMEN PACKAGE CRI & CCT CONCRETE FINISH ANCHOR BOLTS OPTIONS VOLTAGE



CROSS SECTIONS



ORDERING INFORMATION

SERIES
VCBT Voltaire Concrete Bollard – Triarc

LED PACKAGE
 Nominal lumens based on 120V input, 4000K/80CRI. See back for fixture performance data.

EXAMPLE: L6/840			AVERAGE WATTAGE
LUMEN PACKAGE	NOMINAL LUMENS	MINIMUM CRI & CCT	
L6	600	827 = 80 CRI, 2700K	17
		830 = 80 CRI, 3000K	
		840 = 80 CRI, 4000K	
		850 = 80 CRI, 5000K	

CONCRETE FINISH
SANDBLAST FINISH

- NC** Natural
- BF** Buff
- BN** Brown
- CP** Copper

GLAZED SANDBLAST FINISH

- NCG** Natural with glazed protective sealant
- BNG** Brown with glazed protective sealant
- BFG** Buff with glazed protective sealant
- CPG** Copper with glazed protective sealant

ANCHOR BOLTS
AB¹ Anchor bolts (4 each, shipped with fixture)¹
LAB Less anchor bolts
PAB¹ Pre-shipped anchor bolts (4 each)¹

OPTIONS
SFW Single fuse, wet location (120V, 277V, or 347V only; must specify voltage)
DFW Double fuse, wet location (208V, 240V, or 480V only; must specify voltage)

VOLTAGE
120 120V
208 208V
240 240V
277 277V (integral stepdown transformer)
347 347V (integral stepdown transformer)
480 480V (integral stepdown transformer)

FEATURES

- ▶ Concrete housing complements gardens, pathways, and pedestrian-area applications
- ▶ Aesthetically designed to blend seamlessly with a variety of architectural styles
- ▶ Provides accent and security lighting
- ▶ Asymmetric distribution
- ▶ Available in four concrete colors with light sandblast or glazed protective finish
- ▶ Engineered with the highest quality materials to ensure reliability and performance
- ▶ Rated >50,000 hours at 70% lumen maintenance (L70)
- ▶ ANSI 3000K, 4000K, or 5000K CCT
- ▶ Minimum 80 CRI
- ▶ Integral heatsink provides optimal passive thermal management
- ▶ Rated for -30°C to 40°C ambient operating temperature
- ▶ Direct line driven LED module
- ▶ This fixture is proudly made in the USA

¹ Four 3/8" x 12" cast-in galvanized steel anchor J-bolts. Mounting template included.

SPECIFICATIONS

Housing – Steel reinforced precast concrete with a light sand blasted finish.

Thermal Management – Integral aluminum heatsink and LED source provide passive thermal management. Rated -30°C to 40°C ambient operating temperature.

LED Housing – High-grade cast aluminum with superior corrosion resistance. Silver polyester powder coat finish bonded to phosphate-free, multi-stage pretreated metal, meets and exceeds AAMA 2604 specifications for outdoor durability.

LED Module – High quality mid-power LED board. L70 >50,000 hours.

Electrical – 10kA/10kV surge protection standard.

Mounting – Minimum 4" recessed in ground with four-point hot dip galvanized 1/4" A36 steel baseplate. For accurate installation a fullscale mounting template is provided with each bollard and anchor bolt order. Fixture weight: 328 lbs.

Handhole Cover – Grounded stainless steel plate with precast concrete secured with vandal resistant torx fastener.

Labels – cCSAus certified as luminaire suitable for wet locations.

Certifications & Qualifications –

- Calculated L70 lumen maintenance will exceed 50,000 hours per IES TM-21
- IDA Dark-Sky approved
- Tested to IES LM-79-08 standards
- RoHS compliant
- IP66 rated

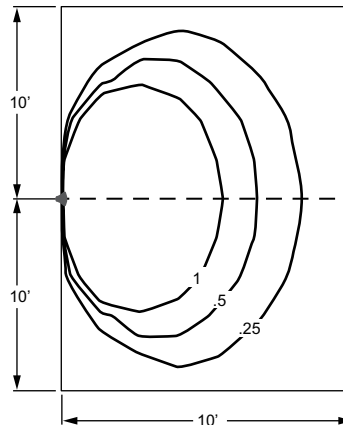
Warranty – 5-year limited warranty, see [hew.com/warranty](http://www.hew.com/warranty).

PHOTOMETRY INFORMATION

TEST REPORT INFORMATION

- ▶ Test Report #: ATAL009236-R2
- ▶ Date: 05/29/15
- ▶ **Rated Lumens: 647**
- ▶ **Watts: 16.85**
- ▶ **Lumens Per Watt: 38.2**
- ▶ **CRI: 81**
- ▶ **CCT: 3797K**

FOOTCANDLE DISTRIBUTION



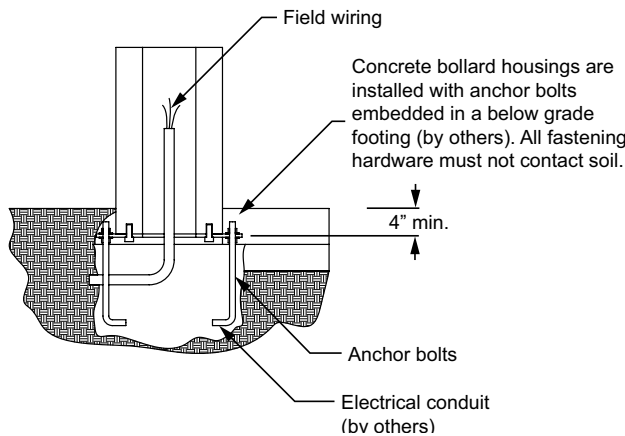
FIXTURE PERFORMANCE DATA

LED Package	Voltage	Flux (lm)	Wattage
L6	120	593	17
	208	559	16
	240	630	19
	277	633	20
	347	590	19
480	630	19	

MULTIPLIER TABLE

CRI	CCT	Conversion Factor
80	2700K	0.95
	3000K	0.98
	4000K	1.00
	5000K	1.02

MOUNTING DETAILS



MOUNTING TEMPLATE

Mounting template is provided with each order. A pdf file (not to scale) of the mounting template is available at www.hew.com.

