

CATALOG #: _____

Type: _____

PROJECT: _____

FEATURES

- Gently curved aperture provides soft, even illumination
- Slim 3-3/4" depth for shallow plenum applications
- Easy to install without the use of tools
- Seamless design prevents light leak
- PMMA lens reduces the risk of yellowing from UV exposure
- Made Right Here® in the USA

SPECIFICATIONS

- HOUSING – Die-formed steel with extruded aluminum side rails.
- OPTICS – Edge-lit PMMA light guide panel.
- FINISH – Non-glare matte white polyester powder coat bonded to phosphate-free, multi-stage pretreated metal. All parts painted after fabrication to facilitate installation, increase efficiency, and inhibit corrosion.
- ELECTRICAL – High quality mid-power LED boards. L80 >50,000 hours.
- MOUNTING – Designed for NEMA Type "G" 1" grid ceiling standard. For NEMA Type "NFG" and "SG" 9/16" grid installations, specify EQCLIPS option. Drywall kit (DFK) options available for flange applications, shipped separately.
- LISTINGS –
 - cCSAus certified as luminaire suitable for dry or damp locations.
 - IC-rated for direct contact with insulation.
- WARRANTY – 5-year limited fixture warranty, see hew.com/warranty.

ORDERING EXAMPLE: AP - 22 - L40/835 - OPTIONS - DIM - UNV

ORDERING INFO

SERIES	WIDTH	LENGTH	LUMENS ⁽¹⁾	CRI	CCT	OPTIONS
AP	2 2'	2 2'	2x2	8 80	30 3000K	EM/10W 10-watt emergency battery
		4 4'	L30 3,000lm		35 3500K	DFK-2424W Drywall kit, 24" x 24", white ^[2]
		L40 4,000lm	40 4000K	DFK-2448W Drywall kit, 24" x 48", white ^[3]		
		L50 5,000lm	50 5000K	EQCLIPS Earthquake clips ^[4]		
		2x4				
		L30 3,000lm				
		L50 5,000lm				
	L70 7,000lm					

CONTROL ⁽⁵⁾

CONTROL ⁽⁵⁾	VOLTAGE
DIM Dimming driver	120 120V
DRV Non-dimming driver	277 277V
VDO/DSR Lutron Vive integral fixture control, RF with daylight and occupancy sensor (DFCSJ-OEM-OCC) and sensor-ready driver ⁽⁶⁾	UNV 120-277V
VRF/DSR Lutron Vive integral fixture control, RF only (DFCSJ-OEM-RF) and sensor-ready driver ⁽⁷⁾	347 347V ⁽⁸⁾

NOTES

- ¹ Lumens based on 3500 CCT. Actual lumens may vary +/-5%, see page 2 for FIXTURE PERFORMANCE DATA.
- ² See Technical Info at hew.com for Drywall Kit details. DFK and AP housing colors are not identical.
- ³ See Technical Info at hew.com for Drywall Kit details. DFK and AP housing colors are not identical.
- ⁴ 4 per fixture. Optional for 1" grid installations. Required for 9/16" grid mounting.
- ⁵ See page 2 for ADDITIONAL CONTROL OPTIONS. See page 3 for FLEXIBLE WHIP OPTIONS.
- ⁶ See page 3 for SENSOR DETAILS.
- ⁷ See page 3 for SENSOR DETAILS.
- ⁸ Not available with EM batteries.



FIXTURE PERFORMANCE DATA

	LED PACKAGE	DELIVERED LUMENS	WATTAGE	EFFICACY (lm/W)
2x2	L30	3341	28.6	116.8
	L40	4102	35.6	115.2
	L50	5005	45.7	109.5
2x4	L30	3101	25.7	120.7
	L50	5060	44.0	115.0
	L70	7261	66.1	109.8

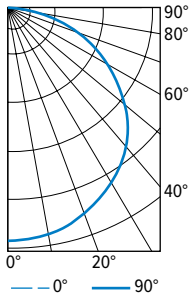
MULTIPLIER TABLE

COLOR TEMPERATURE	
CCT	CONVERSION FACTOR
3000K	0.99
3500K	1.00
4000K	1.03
5000K	1.06

- Photometrics tested in accordance with IESNA LM-79. Results shown are based on 25°C ambient temperature.
- Standard results based on 3500K standard, 80 CRI, actual lumens may vary +/-5%
- Tunable white results based on 4000K standard, 80 CRI, actual lumens may vary +/-5%
- Use multiplier table to calculate additional options.

PHOTOMETRY

AP-24-L50/835 Total Luminaire Output: 5060 lumens; 44.0 Watts | Efficacy: 115.0 lm/W | 80 CRI; 3500K CCT



CANDLEPOWER DISTRIBUTION	VERTICAL ANGLE	HORIZONTAL ANGLE			ZONAL LUMENS
		0°	45°	90°	
	0	1742	1742	1742	
	5	1730	1735	1738	165
	15	1671	1673	1674	472
	25	1558	1555	1553	717
	35	1392	1385	1382	867
	45	1181	1170	1166	904
	55	933	919	913	823
	65	653	642	635	635
	75	366	353	351	376
	85	89	86	91	101
	90	0	0	0	

LUMEN SUMMARY	ZONE	LUMENS	% FIXTURE
	0 - 30	1354	27
	0 - 40	2221	44
	0 - 60	3947	78
	0 - 90	5060	100
	0 - 180	5060	100

ADDITIONAL CONTROL OPTIONS

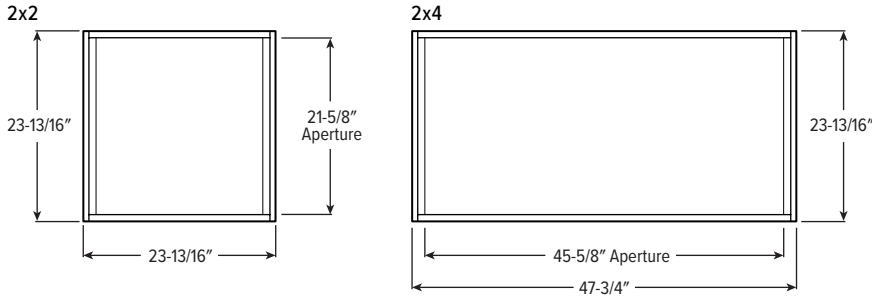
Note: Lumen restrictions apply, consult product builder at hew.com/product-builder.

CATALOG NUMBER	DESCRIPTION
DRV	Driver prewired for non-dimming applications
DIM	Dimming driver prewired for 0-10V low voltage applications
DIM1	1% dimming driver prewired for 0-10V low voltage applications
DIM LINE	Line voltage dimming driver (TRIAC and ELV compatible, 120V only)
DIM TRC	Line voltage dimming driver (TRIAC compatible, 120V or 277V only)
DSR	Sensor-ready driver
SD40	40% step-dimming driver
SD50	50% step-dimming driver
DALI	DALI dimming driver
LTE LINE	Lutron Hi-lume 1% 2-wire dimming driver forward phase line voltage controls (120V only)
LDE1	Lutron Hi-lume 1% EcoSystem dimming LED driver
LDE5	Lutron 5-Series 5% EcoSystem dimming LED driver
VDO/DSR	Lutron Vive integral fixture control, RF with daylight and occupancy sensor (DFCSJ-OEM-OCC) and sensor-ready driver
VRF/DSR	Lutron Vive integral fixture control, RF only (DFCSJ-OEM-RF) and sensor-ready driver
VDO/DBI/LDE1	Lutron Vive integral fixture control, RF with daylight and occupancy sensor (DFCSJ-OEM-OCC), Lutron Hi-lume 1% EcoSystem dimming LED driver, and digital link interface
VDO/DBI/LDE5	Lutron Vive integral fixture control, RF with daylight and occupancy sensor (DFCSJ-OEM-OCC), Lutron 5-Series 5% EcoSystem dimming LED driver, and digital link interface
VRF/DBI/LDE1	Lutron Vive integral fixture control, RF only (DFCSJ-OEM-RF), Lutron Hi-lume 1% EcoSystem dimming LED driver, and digital link interface
VRF/DBI/LDE5	Lutron Vive integral fixture control, RF only (DFCSJ-OEM-RF), Lutron 5-Series 5% EcoSystem dimming LED driver, and digital link interface
ELDO SOLOB	EldoLED Solodrive, 0.1% dimming driver for 0-10V controls
ELDO SOLOB DALI	EldoLED Solodrive, 0.1% dimming driver for DALI controls
ELDO ECO1	EldoLED Ecodrive, 1% dimming driver for 0-10V controls
ELDO ECO1 DALI	EldoLED Ecodrive, 1% dimming driver for DALI controls

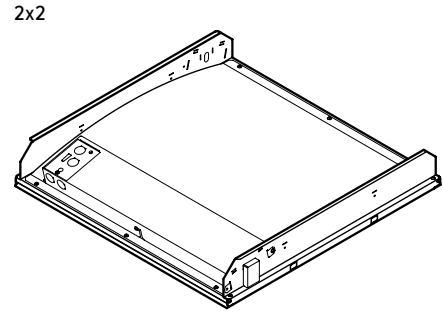


FIXTURE DETAILS

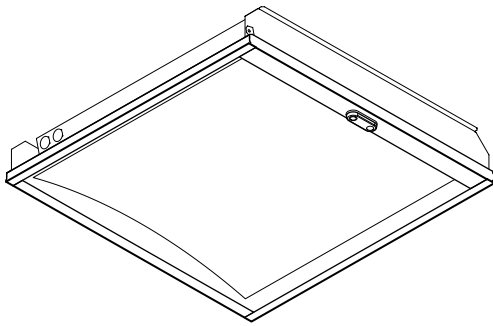
Bottom View



Back View



SENSOR DETAILS



FLEXIBLE WHIP OPTIONS

All Williams recessed troffers are available with a flexible metallic wiring harness, factory-attached and hard-wired to the luminaire. See ordering information table.

Straight connectors are a snap-in type. Consult factory for wiring harness utilizing connectors secured by lock nuts, optional flex size, lengths, and other wire sizes or circuitry. Three-wire flex utilizes black, white, and green wire. Four-wire flex utilizes black, white, red, and green wire. Adding an emergency option requires an additional wire.

Williams fixtures are UL listed to provide factory-installation of several manufacturers' modular wiring devices. Consult factory for availability and ordering information.

DESIGNATION	DESCRIPTION	DRIVER
F338	6' of 3/8" flex, (3) No. 18 AWG wires with (2) straight connectors	DRV, LTE LINE
F348	6' of 3/8" flex, (4) No. 18 AWG wires with (2) straight connectors	SD40
F334	6' of 3/8" flex, (3) No. 14 AWG wires with (2) straight connectors	DRV, LTE LINE
F344	6' of 3/8" flex, (4) No. 14 AWG wires with (2) straight connectors	SD40
F358	6' of 3/8" flex, (5) #18 AWG wires with (2) straight connectors	DIM, DALI