

# APERTURE ADAPTOR

## INSTALLATION INSTRUCTIONS



### WARNING:

- This product must be installed in accordance with the applicable installation code by a person familiar with the construction and operation of the product and the hazards involved.
- Make sure all electrical power is turned off while installing the fixture.
- This luminaire must be adequately grounded for protection against shock hazards and to assure proper operation.
- Disconnect power before servicing.
- LEDs are ESD (Electro Static Discharge) sensitive devices that can be easily damaged if the proper ESD mitigating steps are not taken.
- LEDs are very sensitive to mechanical damage. Caution must be taken to avoid damage to the LEDs.
- ESD or mechanical damage voids all warranties.

### FOR USE WITH REMODEL DOWNLIGHTS:

- 4AR
- 4DR
- 4DS
- 4PR
- 4PS
- 6AR
- 6DR
- 6DS
- 6PR
- 6PS
- 8DR

### ORDERING INFO

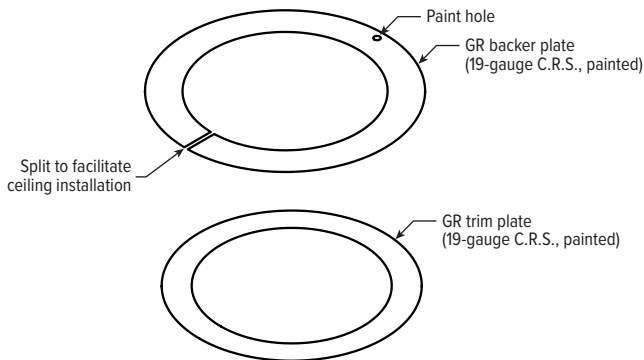
ORDERING EXAMPLE: 4DR - GR - 0575 - WHT				
SERIES	CATALOG NUMBER	CEILING CUTOUT	FINISH	
4AR	6AR	Specify ceiling cutout in 1/8" increments. Example: 5.75" = <b>0575</b>	CS Clear semi-specular powder coat	
4DR	6DR		WH White texture powder coat	
4DS	6DS		BL Black texture powder coat	
4PR	6PR		See Kit Components for application limits.	
4PS	6PS			
	8DR			

Additional finishes available, consult factory.

### KIT COMPONENTS

#### TYPE 1 APERTURE ADAPTOR: NON-ALIGNING FOR SMALLER CEILING CUTOUTS

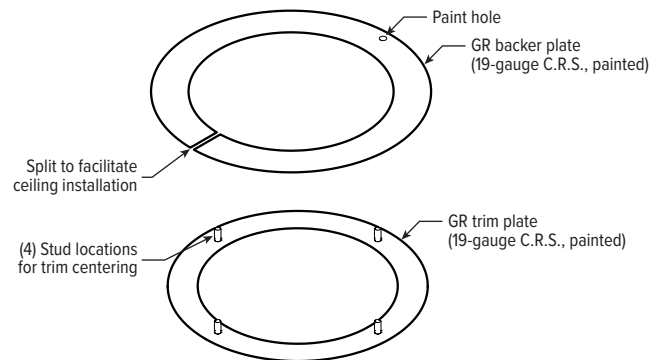
**NOTE:** Since there are no alignment features in the trim ring, it is the installer's responsibility to properly center the fixture within the cutout.



APPLICATION LIMITS	
DOWNLIGHT SIZE	RECOMMENDED LIMITS
4"	5-1/8" – 5-3/4"
6"	6-5/8" – 7-1/4"
8"	9-1/8" – 9-7/8"

- Round and square form factors are driven by fixture base.
- Recommended ceiling thickness range: 3/8" – 1-1/4"

#### TYPE 2 APERTURE ADAPTOR: SELF-ALIGNING FOR LARGER CEILING CUTOUTS



APPLICATION LIMITS	
DOWNLIGHT SIZE	RECOMMENDED LIMITS
4"	5-7/8" – 9"
6"	7-3/8" – 11-1/2"
8"	10" – 14-1/4"

- Round and square form factors are driven by fixture base.
- Recommended ceiling thickness range: 3/8" – 1-1/4"
- Applications that fall beyond these ranges may be possible, consult factory.

# APERTURE ADAPTOR

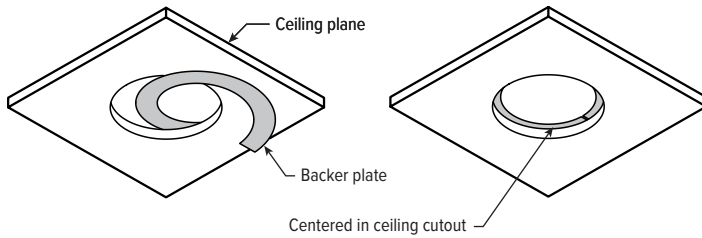
## INSTALLATION INSTRUCTIONS

### INSTALLATION

**STEP 1:** Insert backer plate.

- A. Maneuver up through the ceiling cutout (as shown below).

FIG 1.A.1

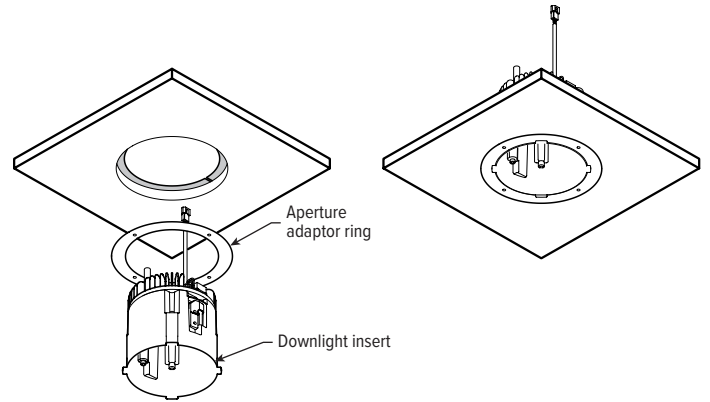


- B. Visually center the "backer plate" within the ceiling cutout.

**STEP 2:** Install downlight with adaptor.

- A. Slide aperture adaptor ring down over the top of the downlight insert, until it rests upon the (4) stop tabs.
- B. Maneuver the downlight insert up through the "backer plate"; then install as usual.

FIG 2.B.1



**NOTE:** Swing-out arms bare down against the backer plate. Downlight inserts that use push-thru clips can also be installed using this kit.

