

CATALOG #: _____

TYPE: _____

PROJECT: _____

FEATURES

- Provides 90 minutes of emergency operation
- Ultra-bright, energy-efficient, long-life LEDs
- Adjustable heads provide optimal center-to-center spacing
- Remote capable
- High-performance reflector and plastic lens for optimal light distribution
- Fully automatic solid-state two rate charger recharges battery in 24 hours
- Charge rate/power "ON" LED indicator light and push-to-test switch for mandated code compliance testing
- Low voltage disconnect prevents battery from deep discharge

SPECIFICATIONS

- HOUSING** – Durable 20-gauge steel construction. White or black finish.
- LAMP HEADS** – Chrome-plated metallized reflector and plastic lens.
- ELECTRICAL** – Dual 120/277 voltage. 6V sealed lead acid, maintenance-free, rechargeable battery. Remote capacity of 20W standard. Runs up to 8 hours without remote heads. 1.5 watt (12 LEDs x 0.125 watt) per head.
- MOUNTING** – Knockouts on back for wall mount. Side and top knockouts for conduit feed applications.
- LISTINGS** –
 - UL 924 standard as an emergency light suitable for dry or damp locations (20°C - +50°C).
 - Meets NFPA 101 Life Safety Code, NEC, OSHA, Local and State Codes.
- WARRANTY** – 5-year limited warranty

ORDERING EXAMPLE: EMER/S - WHT - OPTIONS - D

ORDERING INFO

SERIES	HOUSING COLOR	OPTIONS	VOLTAGE
EMER/S	WHT Industry-standard white BLK Black	PC2 Polycarbonate shield ^[1]	D 120V/277V

REMOTE HEADS: SRHL - S - WHT - OPTIONS - 6V ^[2]

SERIES	HOUSING	HOUSING COLOR	OPTIONS	VOLTAGE
SRHL	Single remote head	D Die-cast ^[3]	HL 1.5-watt remote head, 12 LEDs ^[8]	6V 6-volt ^[9]
SDRHL	Dual remote head	P Polycarbonate ^[4]		MV Multi-voltage ^[10]
WETRHL	Wet location single remote head	S Steel ^[5]	GRAY Gray ^[6] WHT Industry-standard white ^[7]	
WETDRHL	Wet location dual remote head			

NOTES

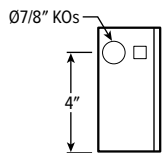
- Ships separately. See page 2 for OPTIONS DETAILS.
- Optional. Ships separately. See page 2 for REMOTE HEAD DETAILS.
- WETRHL and WETDRHL only.
- WETRHL and WETDRHL only.
- SRHL and SDRHL only.

- WETRHL and WETDRHL only.
- SRHL and SDRHL only.
- WETRHL and WETDRHL only.
- SRHL and SDRHL only.
- WETRHL and WETDRHL only. For use with 3.6V, 6V, 9.6V, or 12V power source.

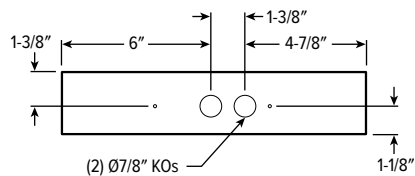
EMER/S^{LED} Steel Emergency Light

FIXTURE DETAILS

LEFT SIDE



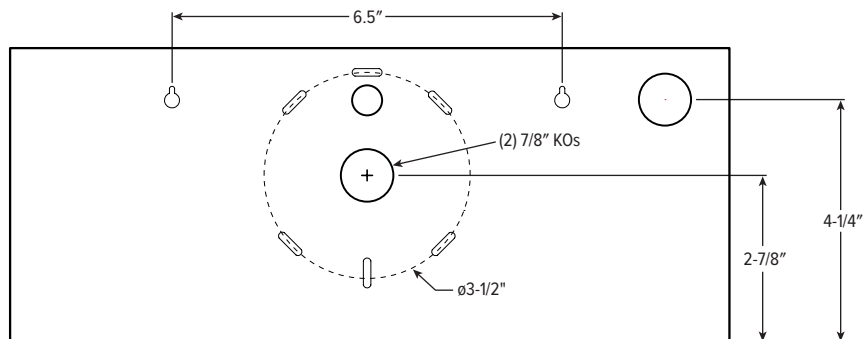
BOTTOM VIEW



MOUNTING DETAILS

WALL MOUNT BOLT CIRCLE PATTERN

Not to scale.



REMOTE HEAD DETAILS

SRHL



DIMENSIONS: 4-1/2" x 6-7/8"

SDRHL



DIMENSIONS: 9-1/4" x 7-1/4"

WETRHL



DIMENSIONS: 4-1/2" x 6-5/8"

WETDRHL



DIMENSIONS: 10-3/8" x 6-3/4"

OPTIONS DETAILS

PC2



DIMENSIONS: 15" x 22" x 7-3/4"