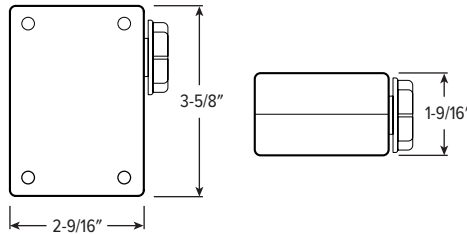


SPACE SENSOR COORDINATOR



CATALOG #: _____

Type: _____

PROJECT: _____



ORDERING EXAMPLE: AVI-XFAC-16A-1CH-CL1

AVI-SPACE-COORDINATOR Unifies large, separately controlled sensor spaces to turn off in unison when the entire space is vacant.

FEATURES

- Uses Avion XFAC hardware with a different firmware version installed with no additional control wiring required.
- Turns off all lights in a multi-zone space when there is no occupancy in any zone for a period of time.
- Adds predictability, security, and safety to an occupied space, while still leveraging the energy savings that come with sensor occupancy control.
- Packaged in a Class I Power Pack with easy installation on the outside of any convenient powered electrical box in the area.

SYSTEM REQUIREMENTS

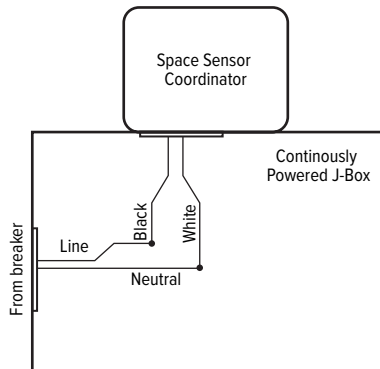
- Williams fixtures with Avion wireless control
- Desktop & mobile apps

SPECIFICATIONS

- ELECTRICAL – 100-277V supply voltage, 16A lighting rated relay. Class 1 configuration.
- MOUNTING – Within a fixture, electrical back box, or network closet within range of the overall mesh network
- ENVIRONMENT – -4°F to 113°F (-20°C to 45°C)
- LISTINGS –
 - Meets IECC 2018 multi zone sensor coordination requirement
 - The Avion Lighting Control Platform is a DesignLights Consortium® NLC qualified product
 - Diamond Security Rated UL Verified IoT Device. Verified security claim V199254.

DETAILS

WIRING DIAGRAMS



WARNING

- This product must be installed in accordance with the applicable installation code by a person familiar with the construction and operation of the product and the hazards involved.
- Make sure all electrical power is turned off while installing.
- Must be adequately grounded for protection against shock hazards and to assure proper operation.
- Disconnect power before servicing.

The Bluetooth® word mark and logos are registered trademarks owned by Bluetooth SIG, Inc. and any use of such marks by Avion is under license. Other trademarks and trade names are those of their respective owners.